

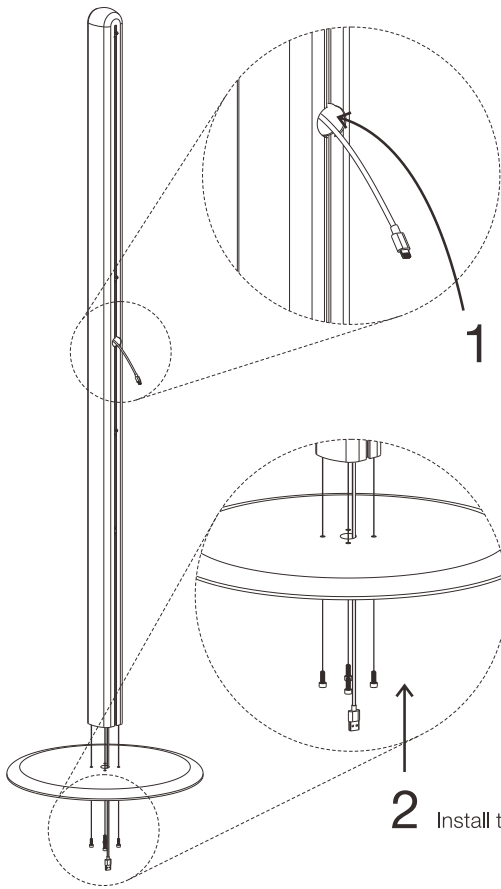


Floor Stand Sign Display with Kiosk Enclosure for iPad

INSTRUCTION MANUAL

QPAD-FSSD

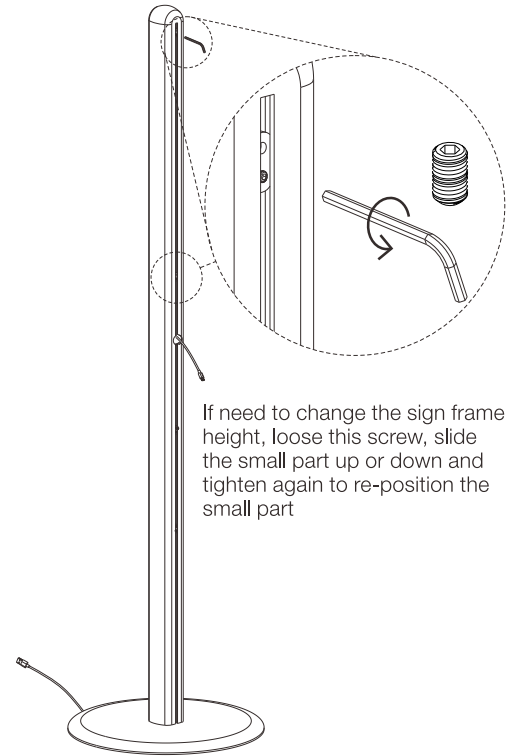
①



1 First insert the cable into the side hole and get it out from bottom

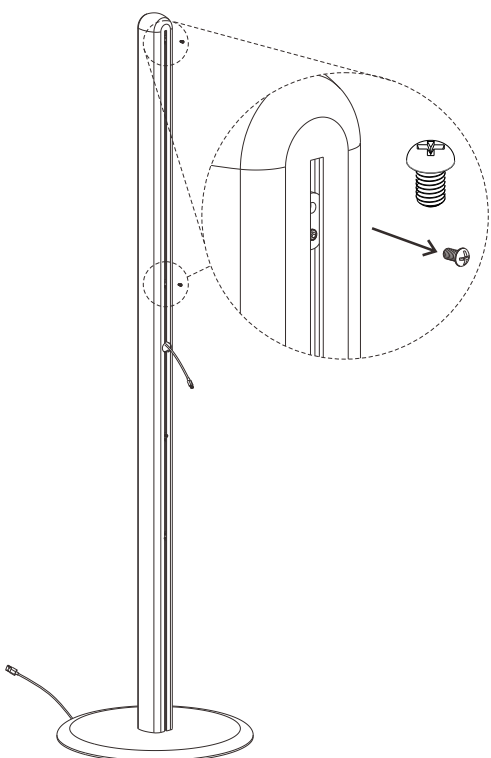
2 Install the base to the pole by 4 screws

②

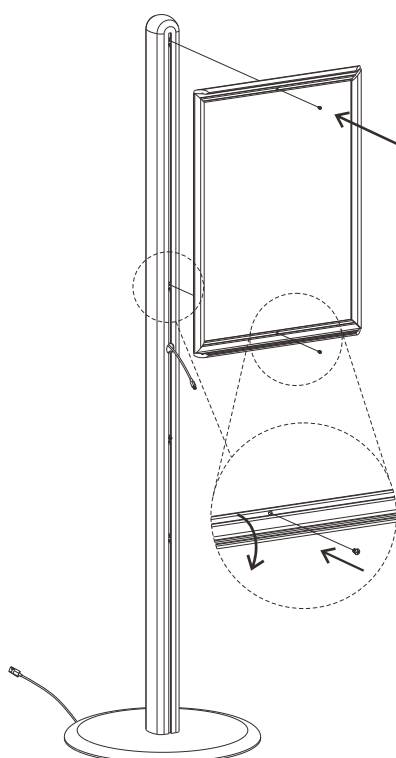


If need to change the sign frame height, loose this screw, slide the small part up or down and tighten again to re-position the small part

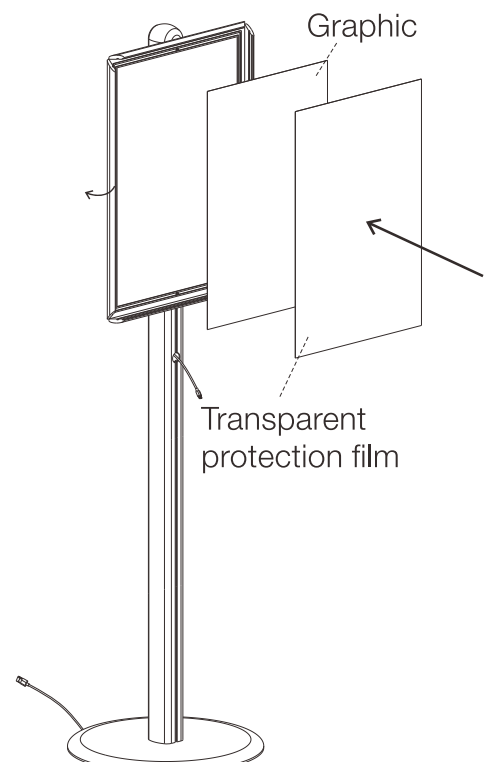
③



④



⑤



Graphic

Transparent protection film

