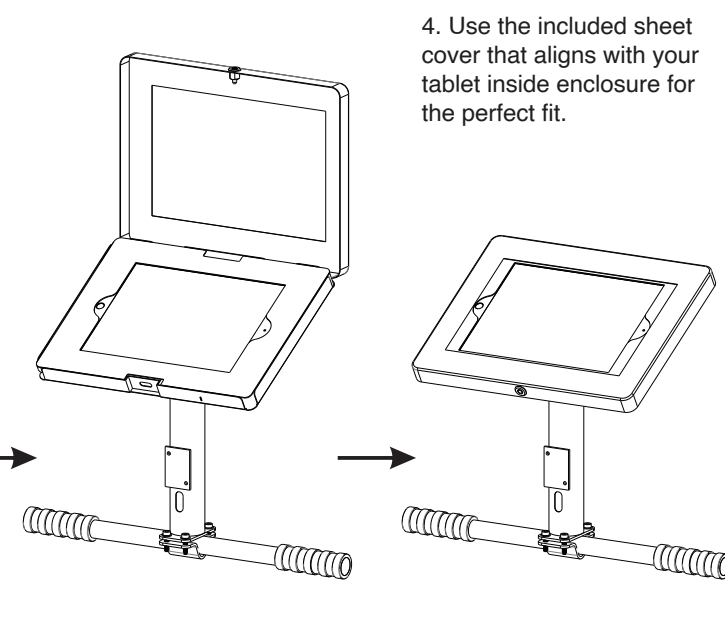
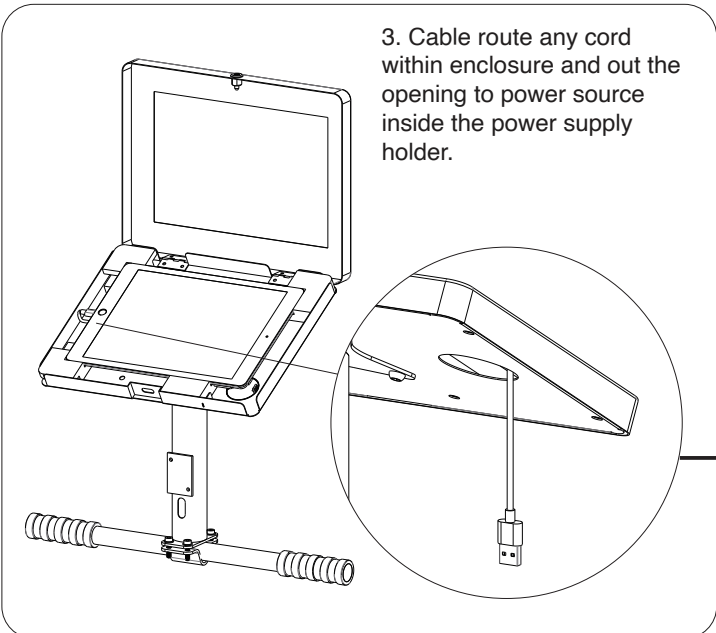
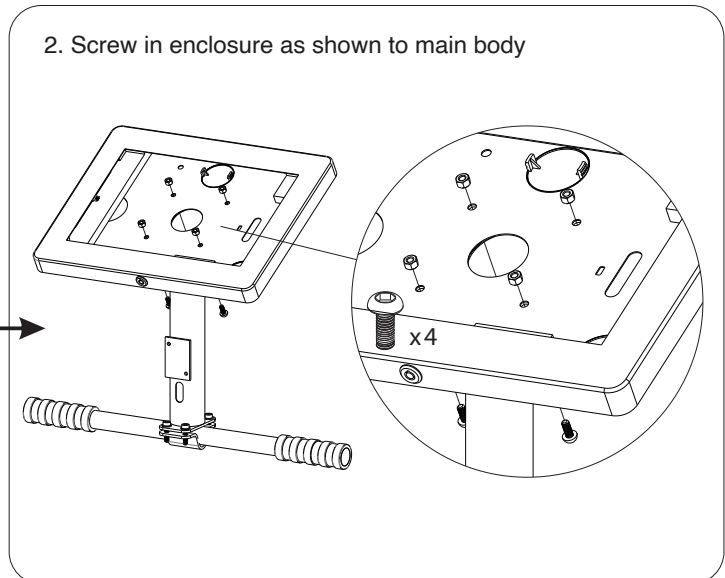
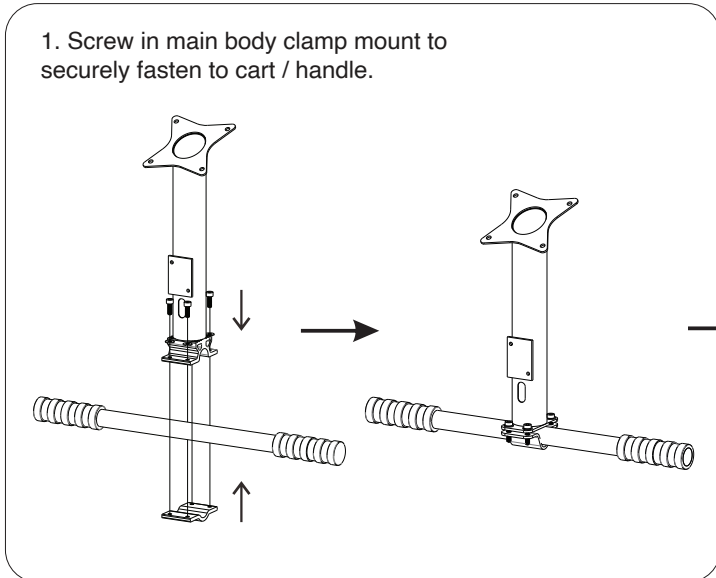
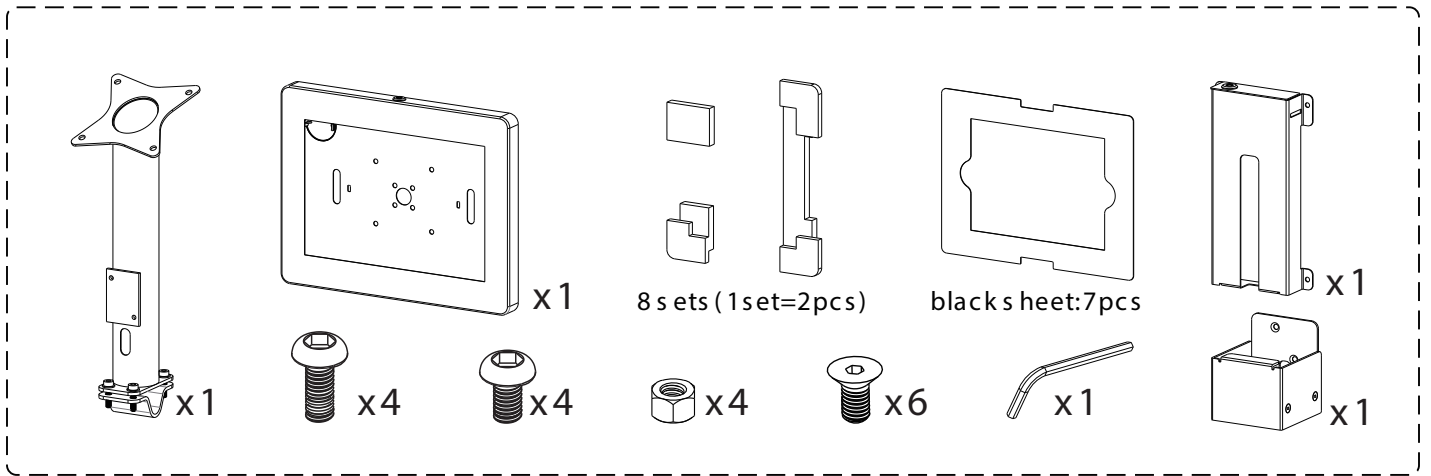




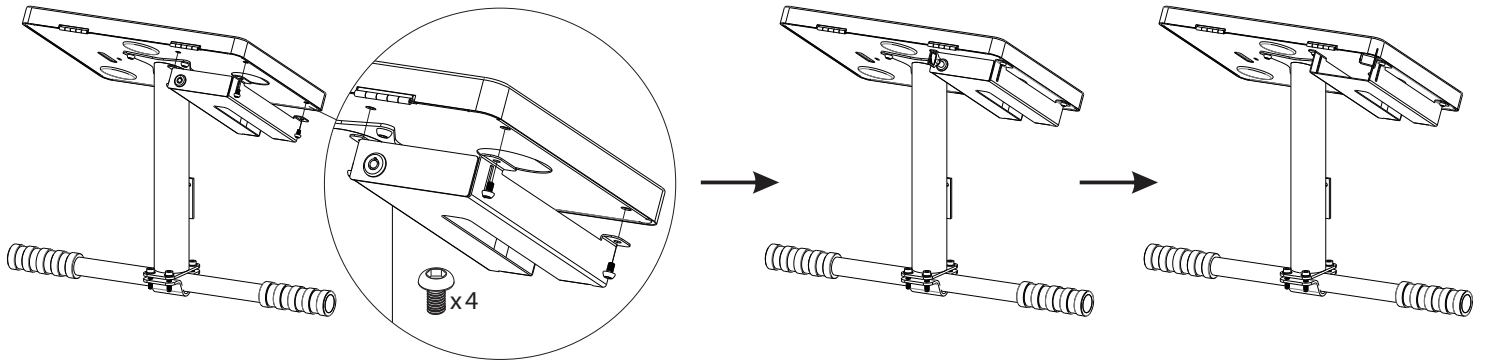
Cart-Grip Security Mount with Accessory Compartment for Tablets

QPAD-CGSM

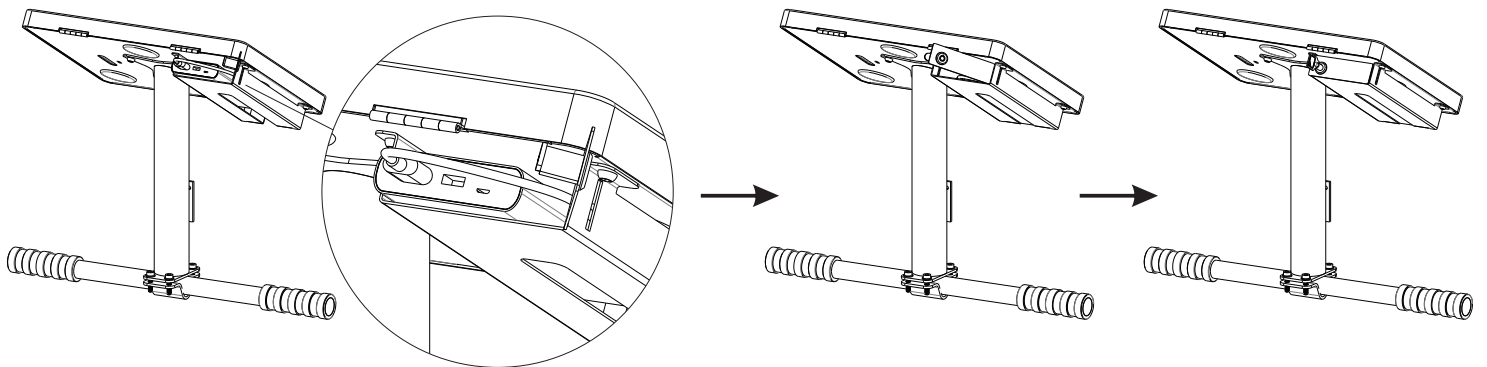
INSTRUCTION - MANUAL



5. Screw in the power supply holder component to the back of the tablet enclosure.



6. Place your power supply inside, close the hinge door, and use the key to lock / unlock.



7. Screw in the front storage holder accessory. Place equipment inside and assemble / screw in the other sides of the accessory as shown.

