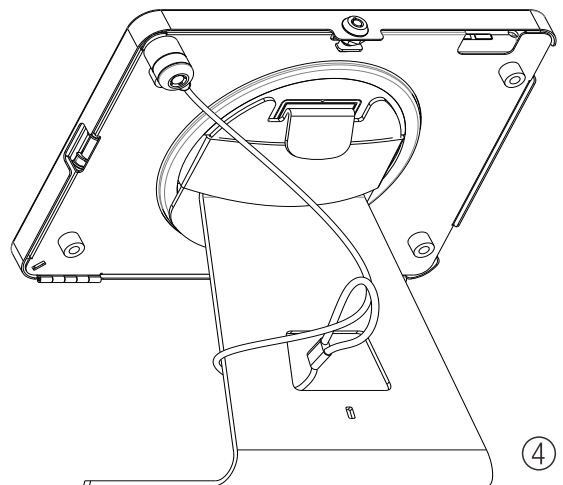
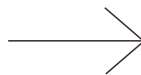
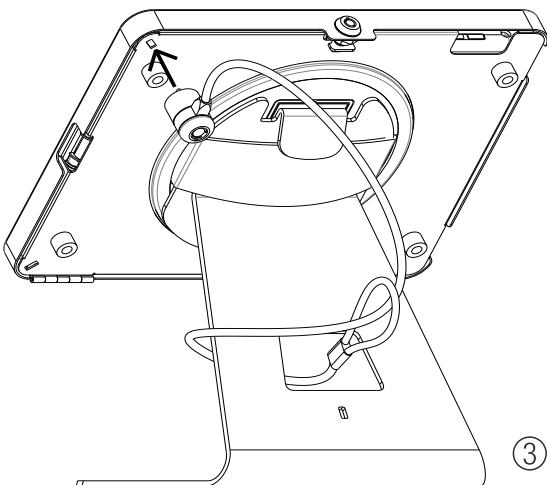
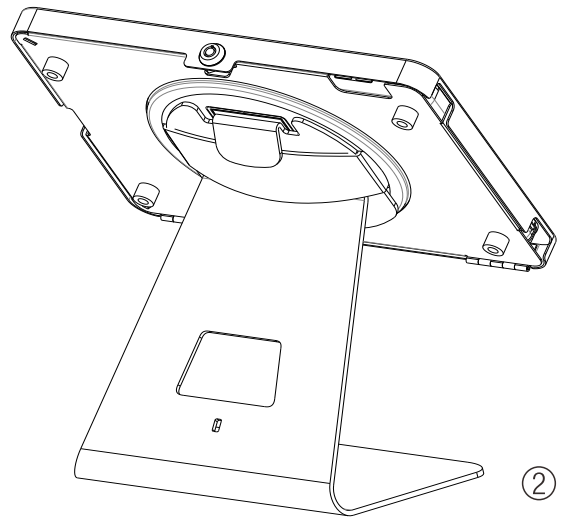
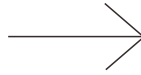
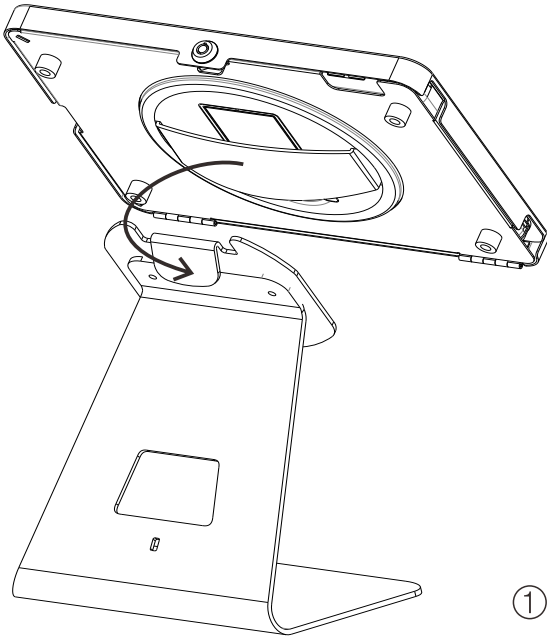




Display Stand for CTA Digital Kickstand Handgrip Cases

INSTRUCTION MANUAL

QADD-KHC



*Remark: Handgrip case & cable lock not included.