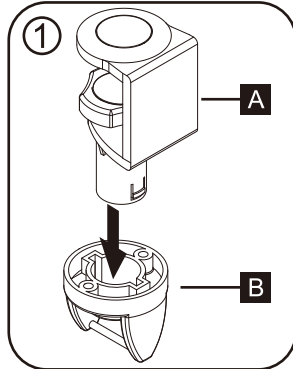


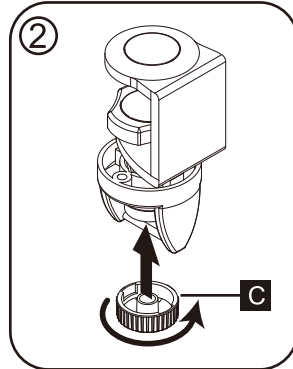
210mm

148.5mm

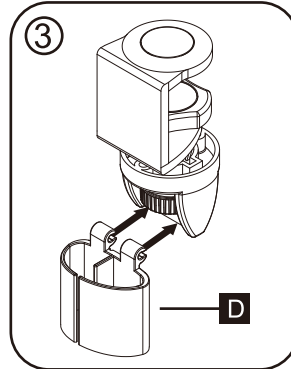
# How to use



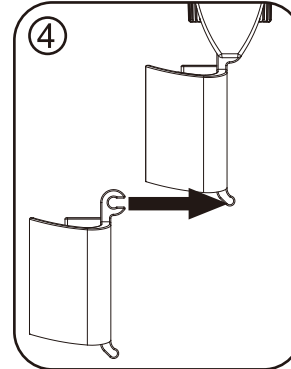
Attach part A to part B.



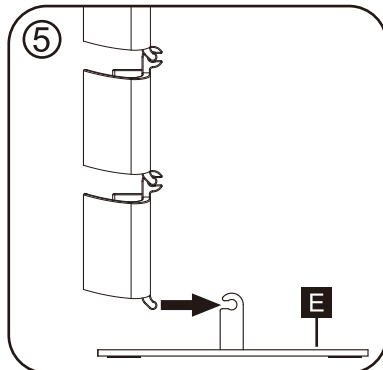
Lock part C to the assembled component.



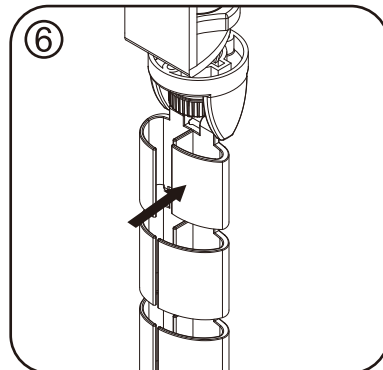
Attach part D to the assembled component.



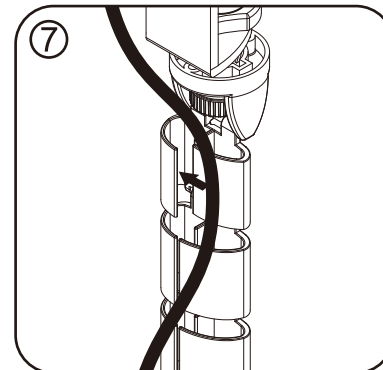
Attach as many pieces of part D as needed for the height of your desk.



Attach part E to the bottom of the chain.



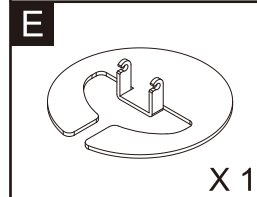
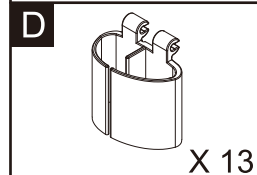
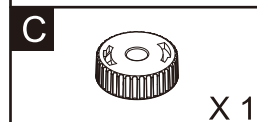
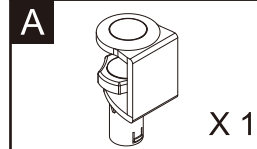
Hold down one side of part D to open a slot.



Slide cable into the slot.

**Repeat steps 6 and 7 until cable is in the entire chain.**

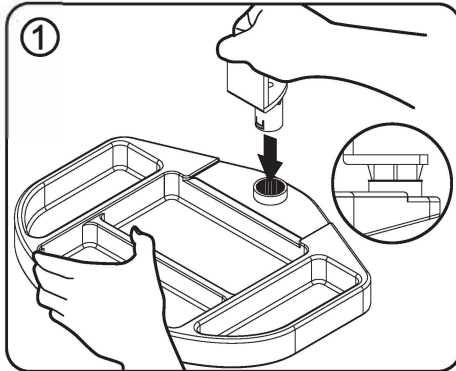
## Package contents



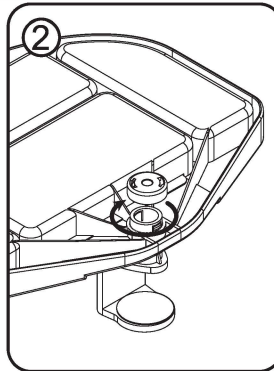
210mm

148.5mm

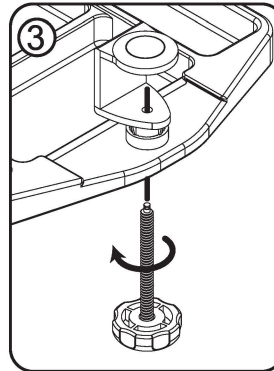
# How to use



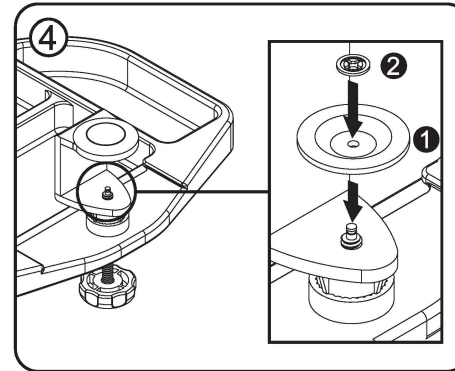
① Forcefully insert C-clamp into the hole on the tray as shown in the picture



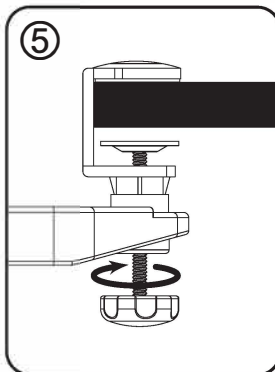
② Lock the cap on the bottom of the C-clamp



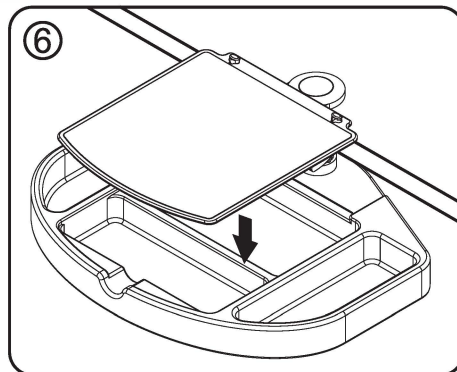
③ Insert screw into the C-clamp



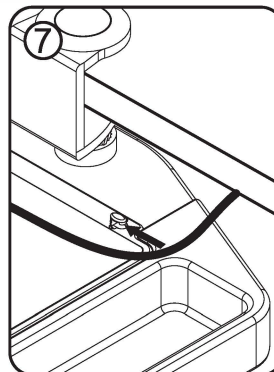
① Place the metal plate on the screw  
② Place the washer over the metal plate to secure the metal plate



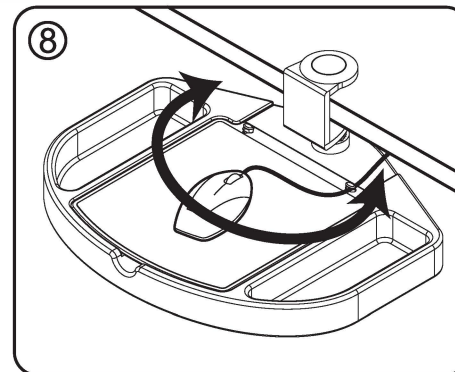
⑤ Tighten the screw to secure the tray onto a desk



⑥ Insert mouse tray onto the center slot as shown in the picture



⑦ Cable manager for mouse or other devices

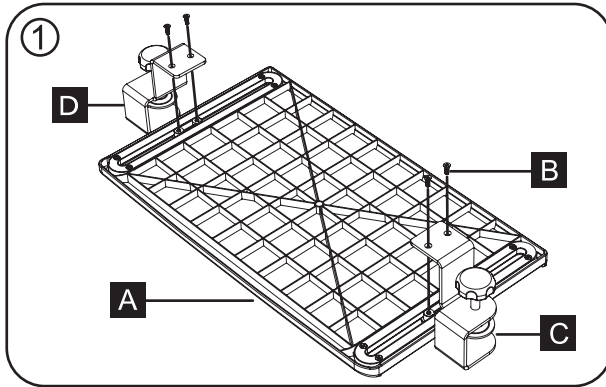


⑧ Swivel 180°

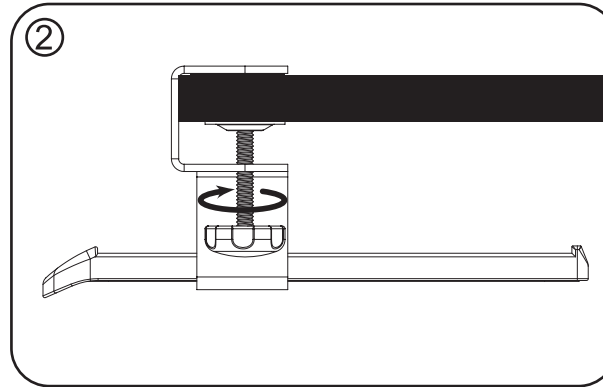
210mm

148.5mm

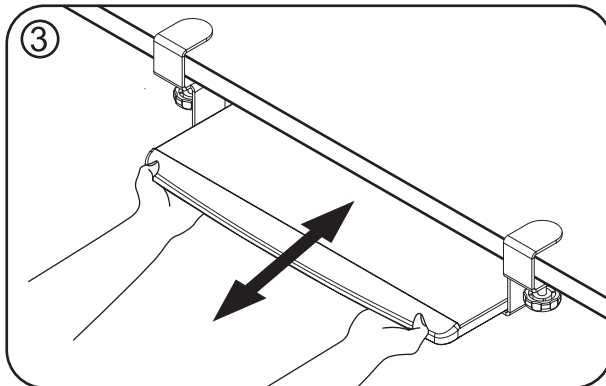
# How to use



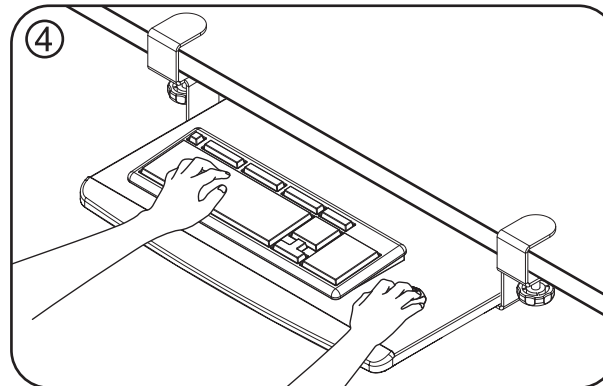
① Attach the 2 C-clamps using the screws provided.



② Turn the knobs on the C-clamps to secure the keyboard tray to your desk.



③ Adjust keyboard tray with your hands.



## Package contents

