



**HOUSING:**

➤ Metal

**SKU:**

➤ PART-MOBY5500

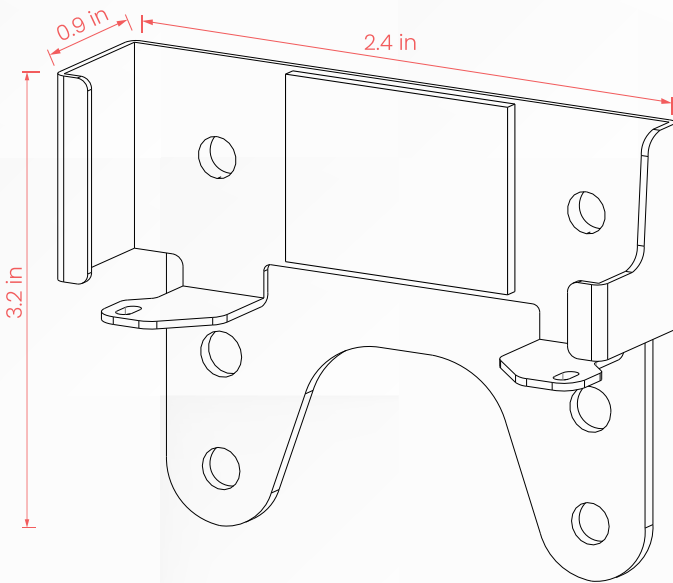


**WEIGHT:**

➤ 0.13 lbs

# Add-On Moby 5500 Cardreader Bracket for CTA Tablet Cases

## PRODUCT DATA SHEET

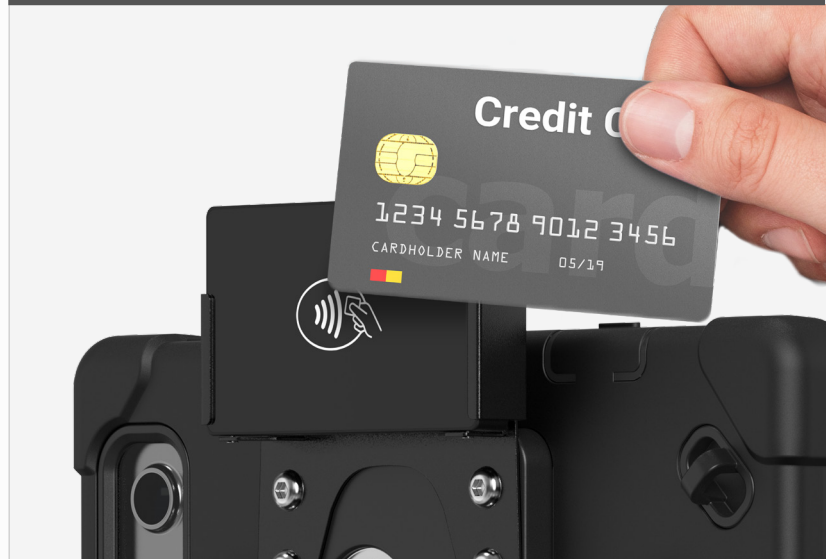


**FEATURES:**

- Compact and portable
- Easy to attach to cases

**COMPATIBILITY:**

- Compatible with CTA security cases with hub



CARD READER HOLDER