

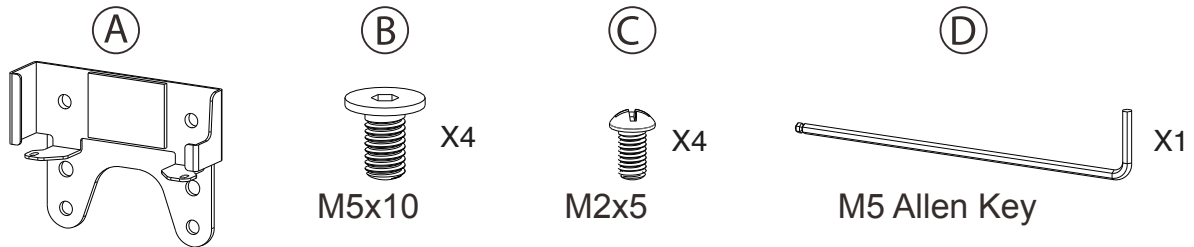


# Add-On Moby 5500 Cardreader Bracket for CTA Tablet Cases

PART-MOBY5500

INSTRUCTION MANUAL

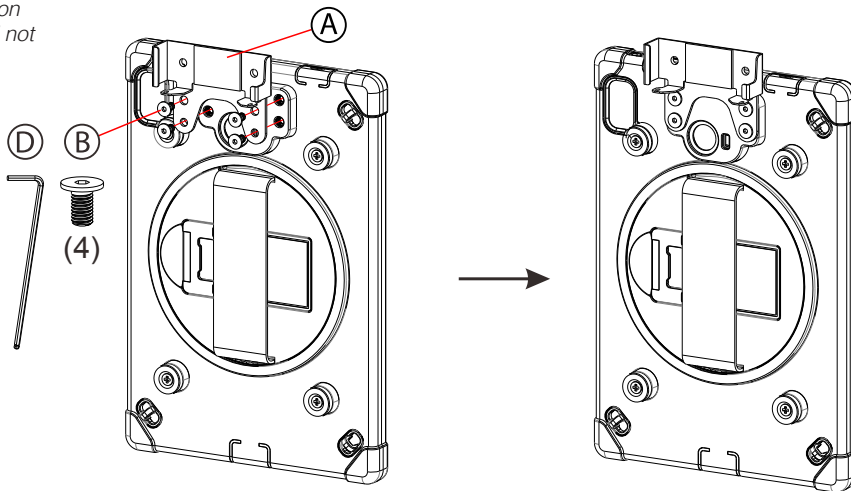
## CONTENTS:



## INSTALLATION:

### 1. Attaching Bracket

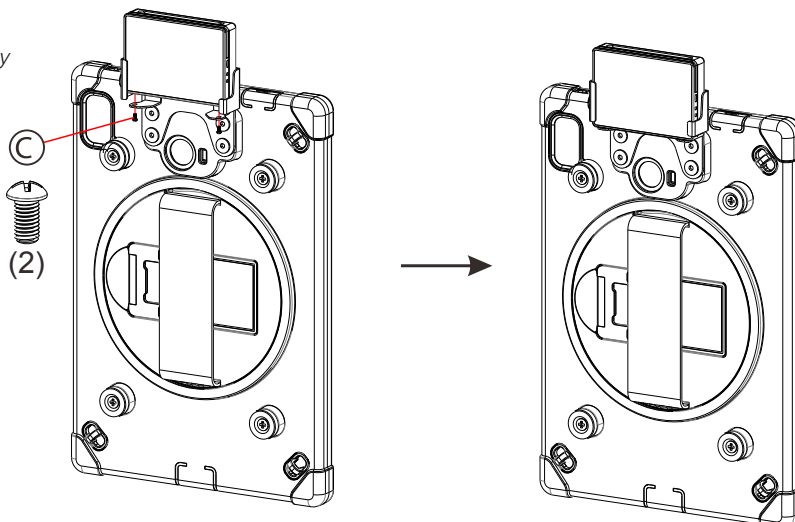
*\*\*Case for illustration purposes only and not included*



1A. Align bracket (A) with the compatible case (not provided). Using the provided tool (D) rotate in (4) screws (B) through the aligned holes of the bracket and case until securely fastened.

### 2. Attaching Device

*\*\*Case and device for illustration purposes only and not included*



2A. Place the device (not included) into the bracket from above as illustrated. Use provided screws (C) and rotate in from below with screwdriver(not provide) until securely fastened.