

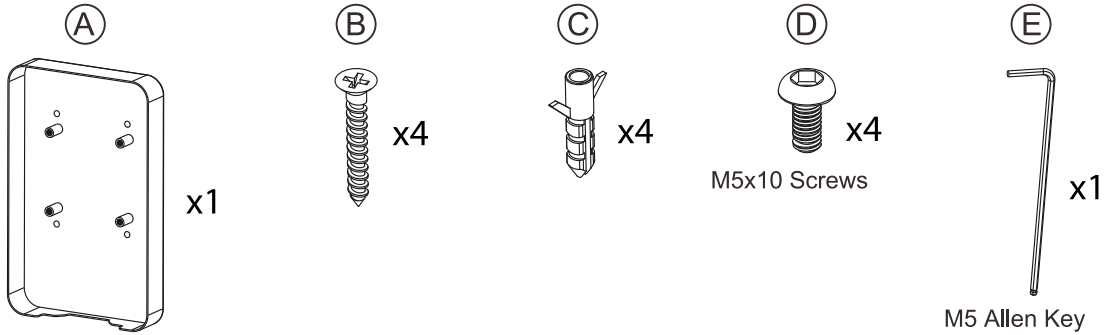


Wall Mount Adapter Add-On for CTA Digital Induction Charging Cases

PART-ICCWALL

INSTRUCTION - MANUAL

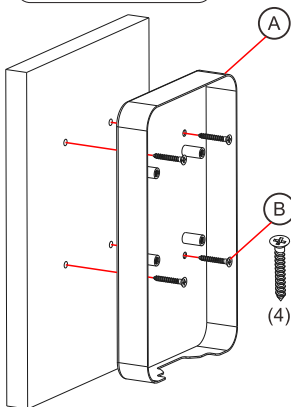
CONTENTS:



INSTALLATION:

1. Mounting to Wall

No Anchors

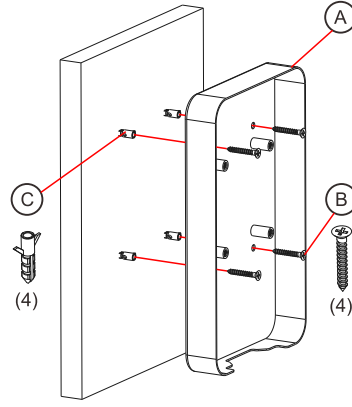


1A. Pre-drill holes on wall in alignment to the mounting holes of the wall adapter using a drill tool (not included).

Take the wall mount adapter (A) and align the mounting holes with the pre-drilled holes on the wall. Rotate in four screws (B) using a screwdriver type tool (not included) until securely fastened.

***Screwdriver and drill tools are not included*

With Anchors



1B. Pre-drill holes on wall in alignment to the mounting holes of the wall adapter using a drill tool (not included). Insert all four anchors (C) into the holes.

Take the wall mount adapter (A) and align the mounting holes with the pre-drilled holes with anchors on the wall. Rotate in four screws (B) using a screwdriver type tool (not included) until securely fastened.

***Screwdriver and drill tools are not included*

2. When Attaching Induction Dock to Wall Mount

***Induction Dock Not Included and Sold Separately*

2A. Align the wall mount adapter (A) mounting holes to the mounting holes of the induction dock (not included) as illustrated to the right.

Then, rotate in four screws (D) from the top side using provided tool (E) until securely fastened.

