

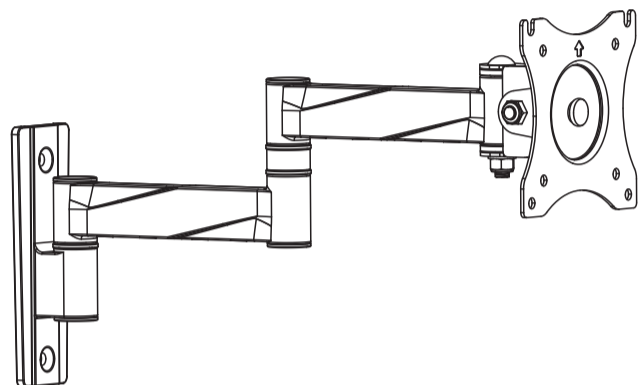


Vesa Wall Mount Arm (Black/Silver/White)

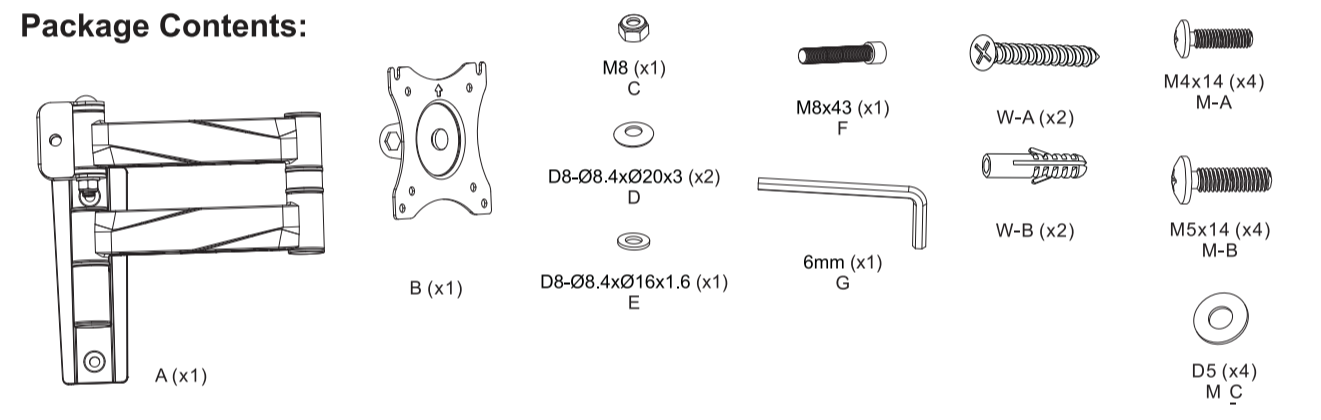
PAD-WMAB / PAD-WMAS / PAD-WMAW

INSTRUCTION MANUAL

Thank you for choosing CTA Digital's product. We hope that you will enjoy using it. Please follow the guidelines and instructions as laid out in this instruction manual.



Package Contents:



Instructions:

1

STEP 1: Place two washers, " part D" inside of the U-Shape Connector on the back of the VESA plate.

2

STEP 2: Put "E" washer on one side on the mount, and the "C" nut on the other side of the end of the mount.

Step 3: Put the provided "F" screw through "E" washer, the hole on the end of the mount, and through the "C" nut on the other side of the mount. Use the allen key "G" to tighten the screw securely.

4

STEP 4: To drill to the wall, use pencil to mark your aim points on the surface.

5

STEP 5: Use power drill to install the mount to the wall with provided hardware (screws and anchors)

3

STEP 3: To attach monitor, or other VESA compatible device with threads, insert screws through the back of the mounting plate and into the device to achieve secure and sturdy placements.

4

STEP 4: For cable management, unscrew two provide plates to the bottom on the mount arms.

5

STEP 5: Place the wire between the mount arm and the plate, and secure screws again so cables remains in place.

6

STEP 6: Included is an allen key to adjust the tightness of the hinge on the VESA plate if needed.

Caution Please be sure to fasten all the screws securely before using. Failure to do so may compromise integrity.

SUPPORT@CTADIGITAL.COM