



# PAD-VTHC

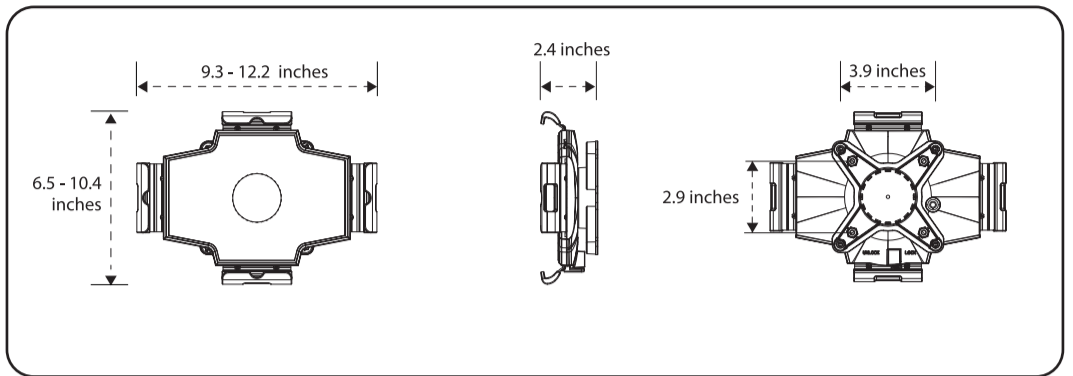
## INSTRUCTION MANUAL

Thank you for choosing CTA Digital's product. We hope that you will enjoy using it. Please follow the guidelines and instructions as laid out in this instruction manual.

### 1 Features & Specification

Part	
Type	<b>A</b> Holder <b>B</b> Center Foam backing <b>C</b> Lock Screw <b>D</b> Wrench & Nuts <b>E</b> Key
	x1     x4 pieces (10 mm, 10mm, 5mm, 1.5mm)     x4     x1 /  x4     x2

### 2 Dimensions



### 3 Adjusting the Foam

Stack different combinations of foams to create a comfortable and firm backing for your tablet for a secure fit

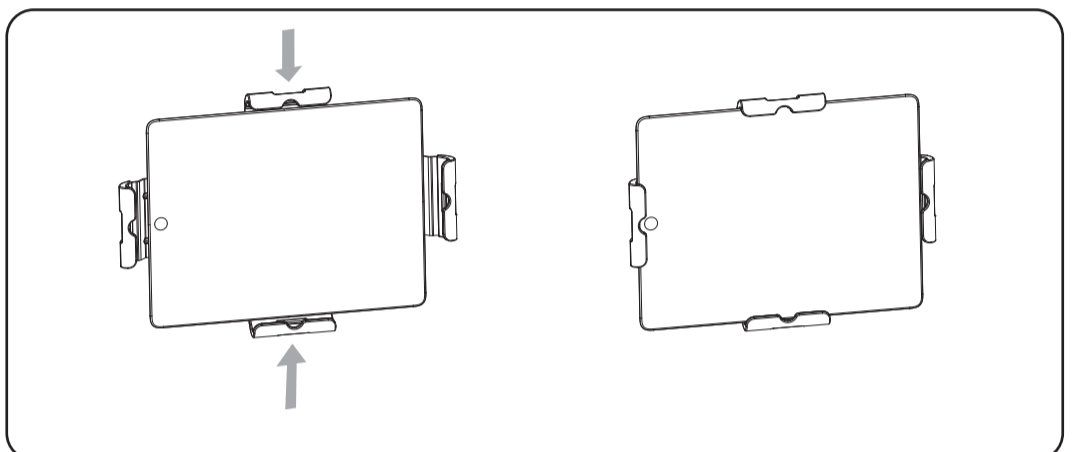
View from Side of Stacking Foams

Top View

Latest Tablet Models	Foam Pieces Required
iPad Pro 12.9" (4th Gen) iPad Air (4th Gen) iPad Pro 11" (2nd Gen)	10mm+10mm+5mm+1.5mm Foam Pieces together
iPad 10.2" (8th Gen) 2020	10mm+10mm+5mm Foam Pieces together

Stick on the appropriate foam backing so that your tablet can fit into the holder tightly and secured. When the arms are closed, there is not movement or shifting of the tablet. Test out the foam piece with your tablet before adhering the foam to make sure you used the right thickness.

### 4 Tablet Placement



While holder is in 'unlocked' mode, extend the arms outwards until tablet fits comfortably in place. Retract arms until they hold the tablet firmly. Tablet holder can accommodate tablets in cases as well up to 1" thick.

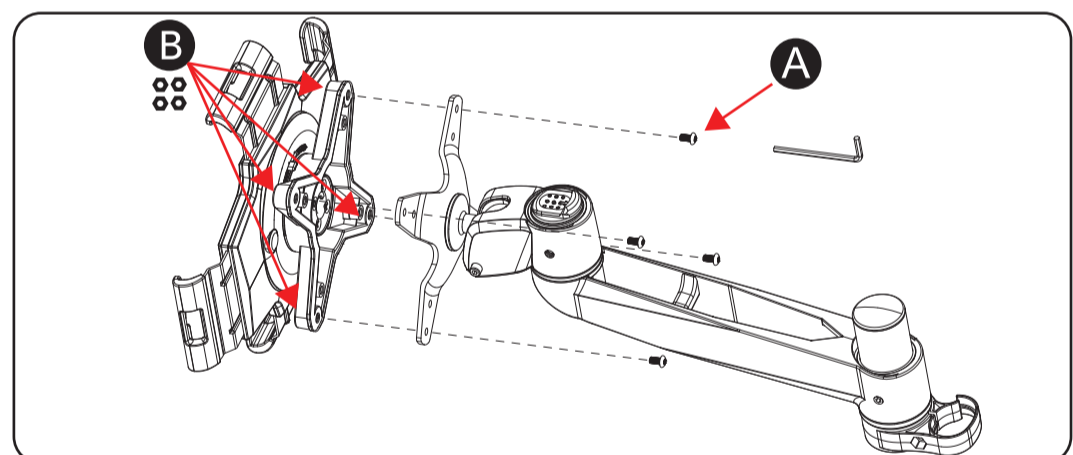
### 5 Security



**RIGHT:** Push lever to be in unlock position. Turn key to pop out security button in keyhole to allow for tablet holder arm adjustability. When tablet is placed and arms tightly secured around tablet, push lever to lock position, then push down the button in the keyhole to lock the arm grips in place.

**LEFT:** Illustrating what the popup button in the keyhole looks like.

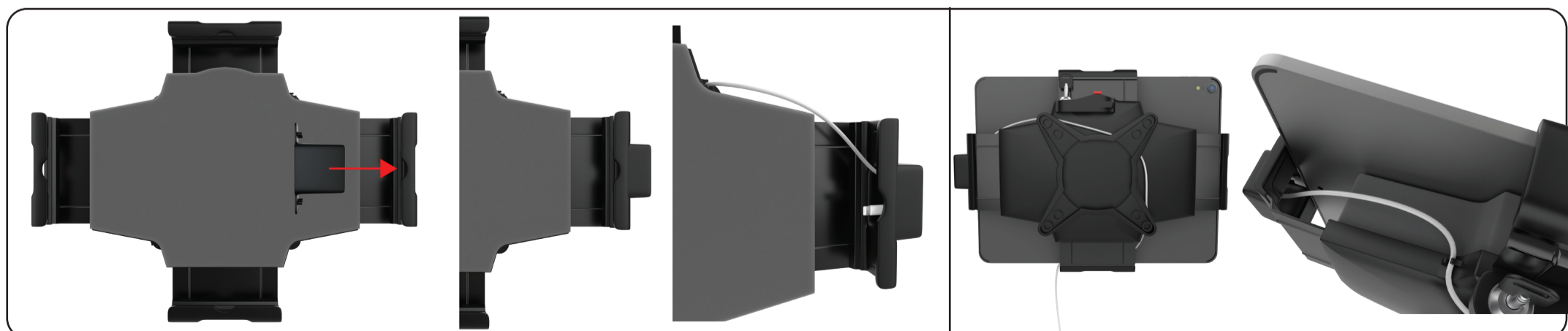
### 6 VESA Mounting



Line up the VESA plate of PAD-VTH to the correlating VESA to be affixed to. On the same side of the PAD-VTH VESA, place the hexagon nut in the screw hole groove. It will be semi-recessed when nut is placed. (Letter B) While holding the nut with one hand, and from the side opposite of PAD-VTH (shown above with letter A), use the included allen key and screw in bolts into the hole until tightly secured.

**\*\*Disclaimer - VESA Arm illustrated above is just an example of another VESA mount that can be affixed to PAD-VTH. It is not included and just 1 instance of many where you can screw (2) VESA's together.**

### 7 Cable Management



**LEFT:** Take the rubber security component, line it up with the holder arm that you wish to slide into. The component should line up to the cords that gets plugged into the tablet. With the holder arms extended, place the tablet into the center with the cord plugged in. Arrange and wrap the power cord of the tablet into the rubber security component. Push inwards all arms of the holder until you have a secured and tight fit.

**RIGHT:** With the other end of the tablet cord, use the (2) clips on the corners of the holder (as shown) to help organize and manage the wire towards the back away from view. Simple add a little pressure and clip the body of the cord into place in the clips.