

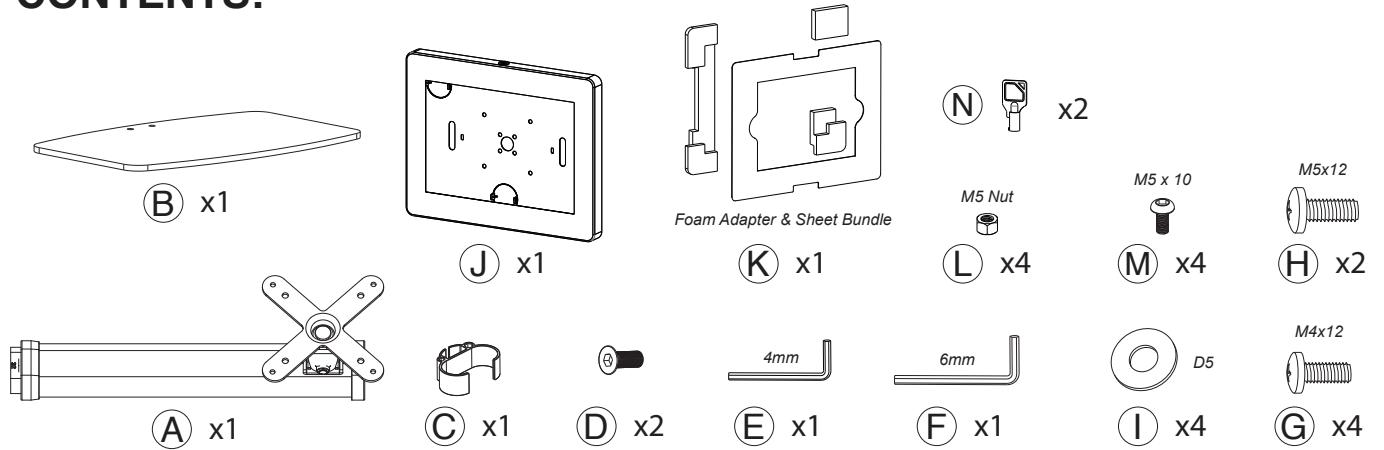


VESA Compatible Desk Stand w/ Height Adjustable Pole (White)

PAD-VADMWE

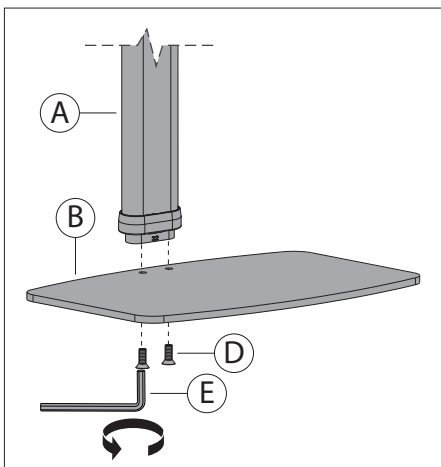
INSTRUCTION - MANUAL

CONTENTS:

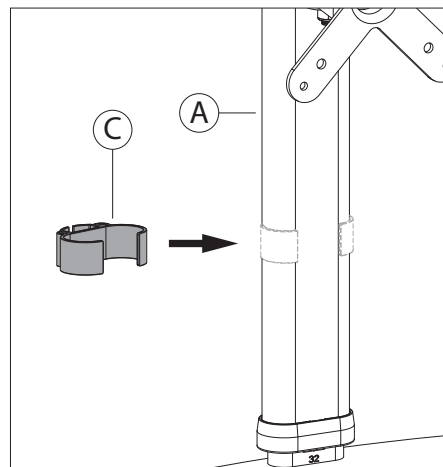


INSTALLATION:

1. Connecting Pole with Base & Clip

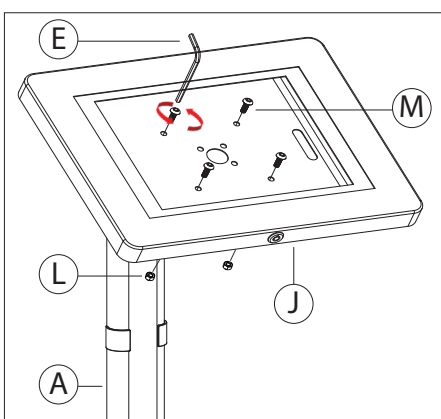


1A. Align pole (A) and base (B) screw holes, and using the provided allen key (E), screw in the screws (D) as shown.



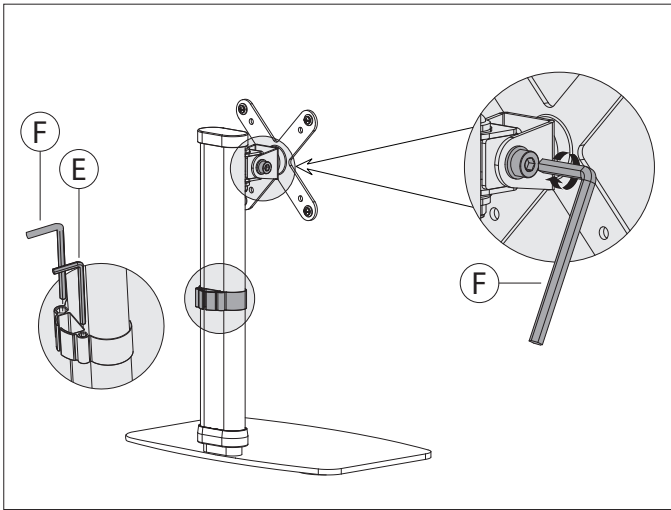
1B. Attach the cable holder clip (C) to the base as shown.

2. Attaching VESA Compatible Enclosure

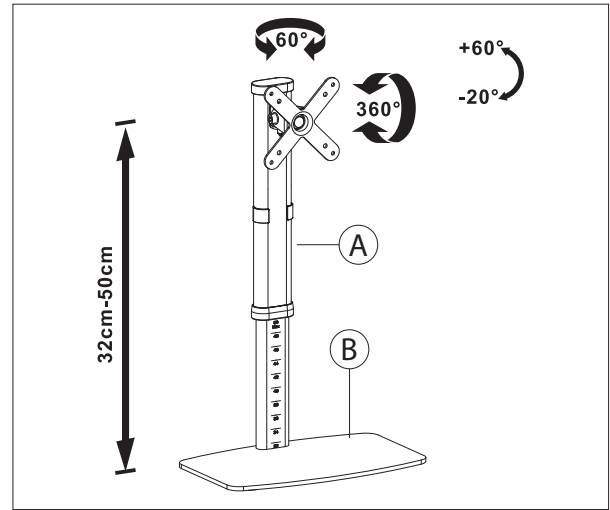


2A. Align enclosure (J) holes to VESA plate holes (A). Screw in above using provide tool (E) while holding hex nut (L) tool from behind with fingers.

3. Adjusting VESA joint for Tilt, Swivel & Orientation Adjustability

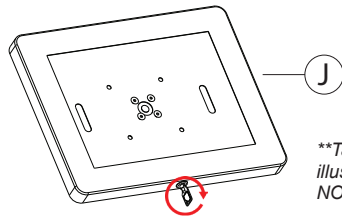


3A. Using the included allen key tool (F), loosen the screw as illustrated above. Once screws are loosened, push up or down to adjust the height. Once done, screw the screws until securely tightened.



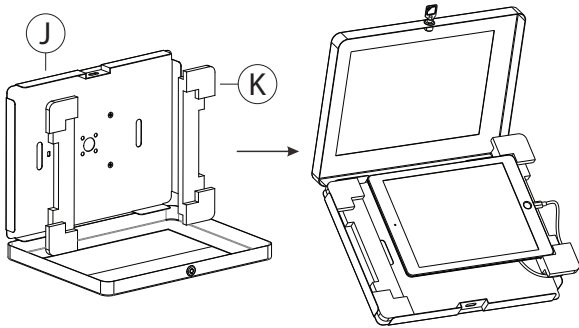
3B. Adjust the product to match your desired viewing angle and height.

4. Setting up Device & Enclosure

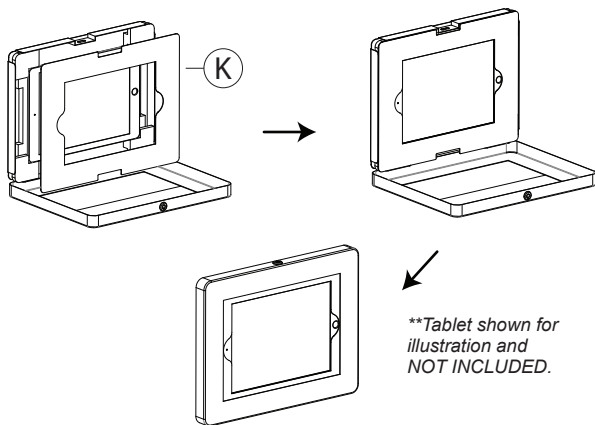


**Tablet shown for illustration and NOT INCLUDED.

4A. Lock or unlock your tablet enclosure (J) with security key as shown.



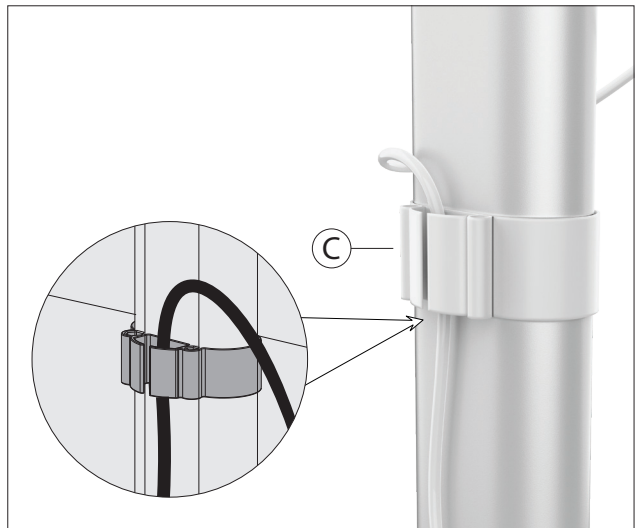
4B. Find the appropriate size foam padding (K) for the tablet you wish to use. Make sure device is compatible for the enclosure. Lay in device and connect any cables/cords as needed.



**Tablet shown for illustration and NOT INCLUDED.

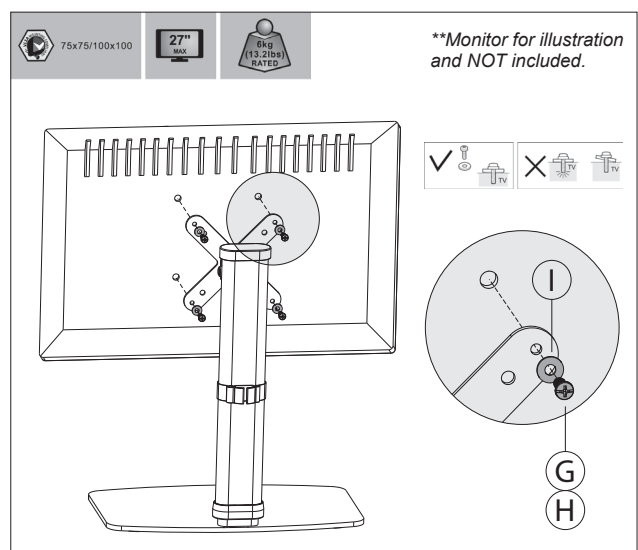
4C. If needed, lay-in correct included masking insert (K). Close and lock enclosure afterwards and you're set

5. Cable Management



5A. Fish the cable through the clip (C) as shown.

6. Attaching VESA Compatible Device (Optional)



**Monitor for illustration and NOT included.

5A. Align VESA compatible device with VESA plate, and screw the screws (G, H) through the washers (I) until securely tightened. Select one of the two screws (G, H) depending on your monitor size. Test either to find the one that fits for your device.