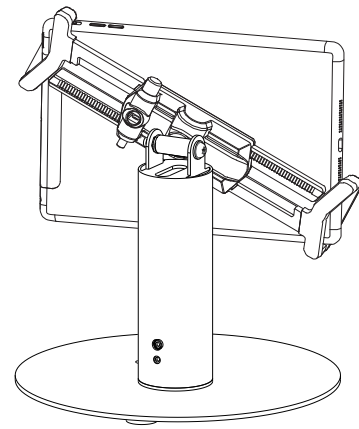
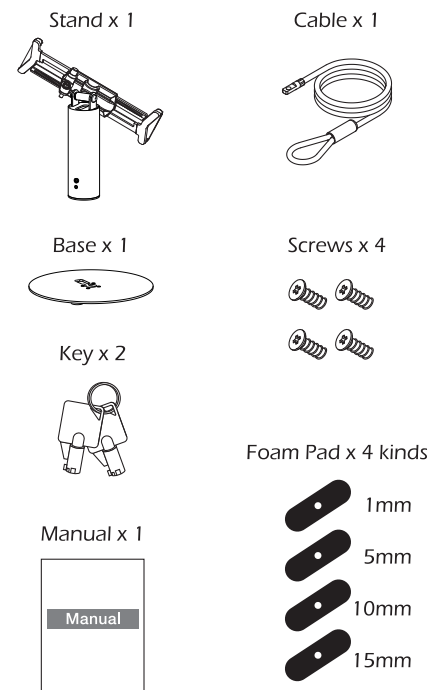


# Universal Security Grip Kiosk Stand for Tablets

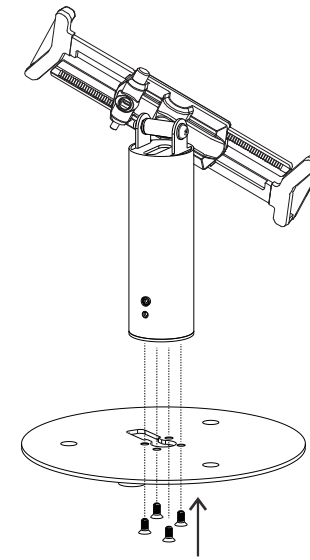


**PAD-USGT**

## Contents

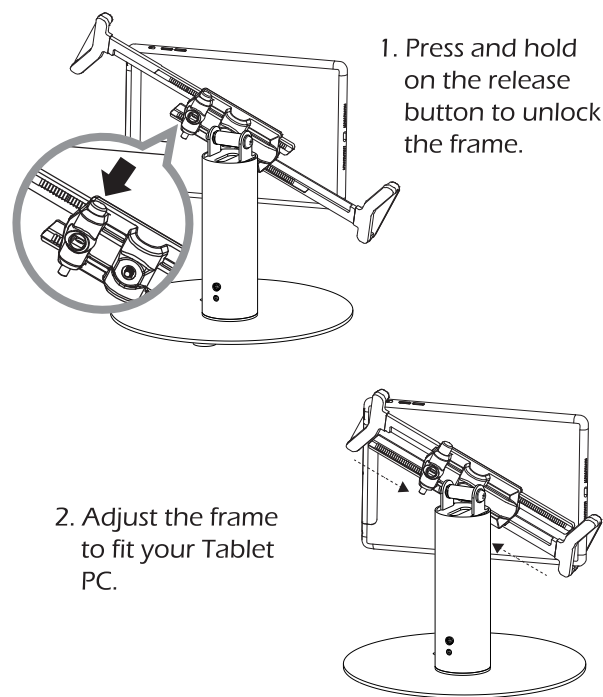


## Combine the Stand



CTA DIGITAL  
Brooklyn NY 11249  
support@ctadigital.com

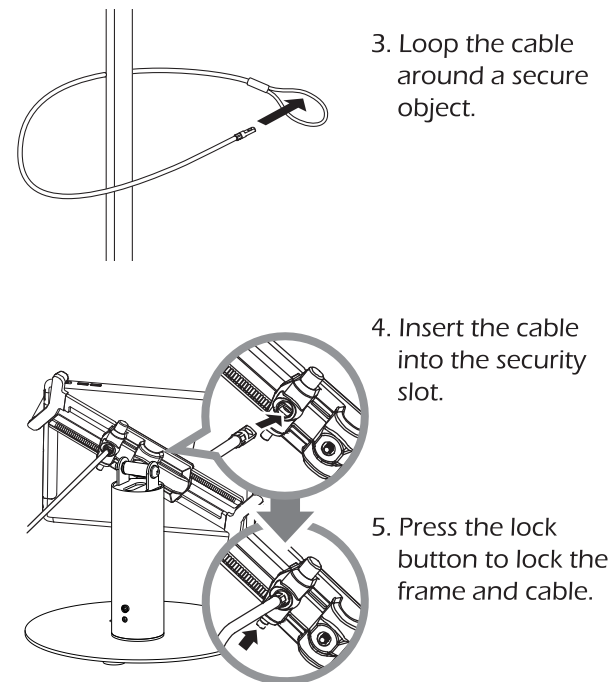
## Install the Tablet PC



1. Press and hold on the release button to unlock the frame.

2. Adjust the frame to fit your Tablet PC.

## Install the Tablet PC

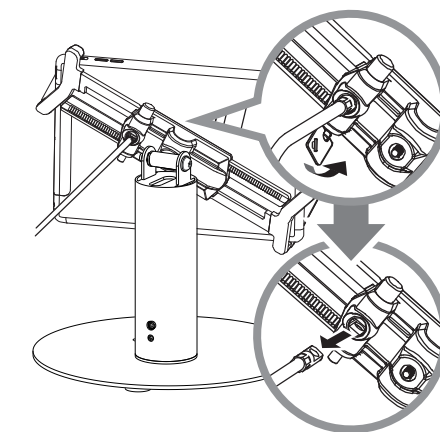


3. Loop the cable around a secure object.

4. Insert the cable into the security slot.

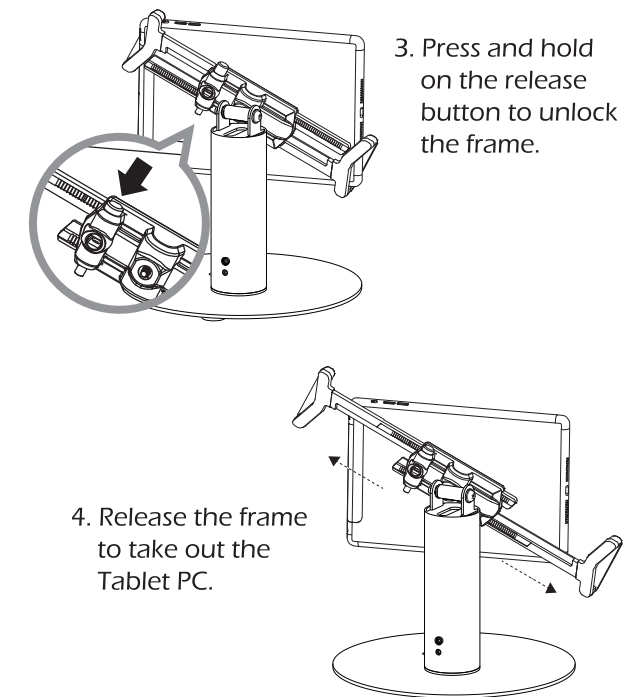
5. Press the lock button to lock the frame and cable.

## Unlock the Security Frame



1. Insert the key into the lock button to release the cable.  
2. Take out cable and key to unlock.

## Unlock the Security Frame



3. Press and hold on the release button to unlock the frame.

4. Release the frame to take out the Tablet PC.