

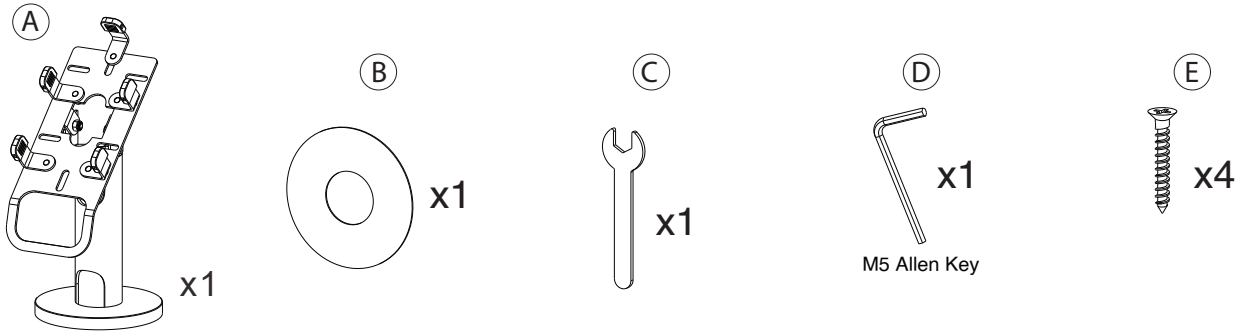


Universal Card Reader Rotating Terminal Stand

PAD-UCRRT

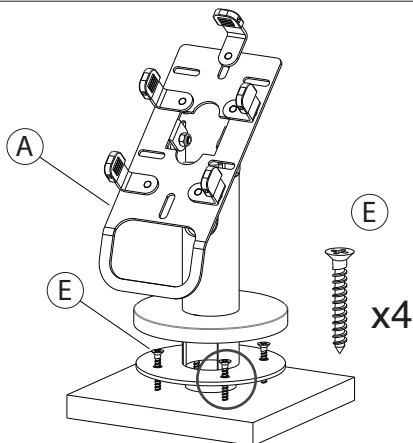
INSTALLATION - MANUAL

CONTENTS :



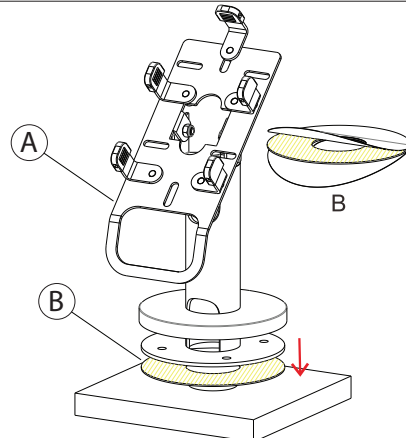
INSTALLATION:

1A. Mounting to a surface using screws:



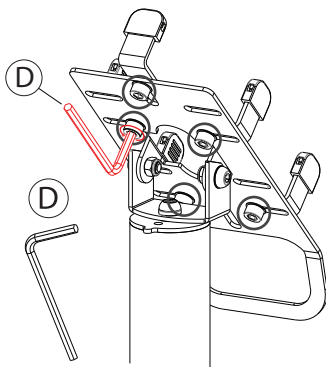
1A. Lift the canopy cover of the stand (A) to reveal the mounting plate. Align and rotate in screws (E) into surface until securely tightened. (Screwdriver not provided). Place canopy cover back on top.

1B. Mounting to a surface using adhesive:

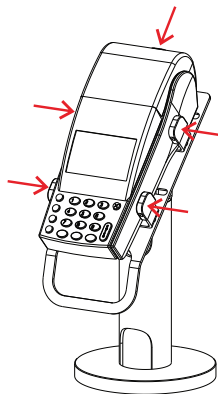


1B. Removing lining from both sides of sticker adhesive (B). Adhere one side to the bottom of the mounting plate as illustrated and the other side to the surface of the desired mounting location. Press down firmly to securely attach.

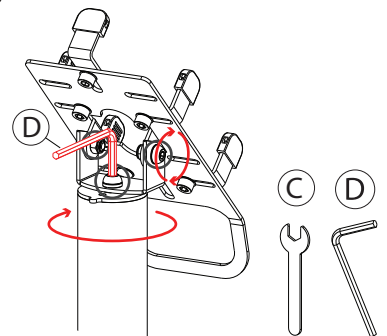
2. Inserting card reader into holder:



2A. Loosen connections at the rear of the holder using the included allen key tool (D). Adjust the 5 rubber clips to match your card reader device. Insert the device, and then firmly tighten the connections for a secure setup.



Tilt & Swivel Adjustability



Use the included Allen key tool or wrench to loosen key joints as illustrated. Adjust to the desired tilt or swivel orientation. Securely tighten the screws for a fixed setup.