

9.7"-10.1"



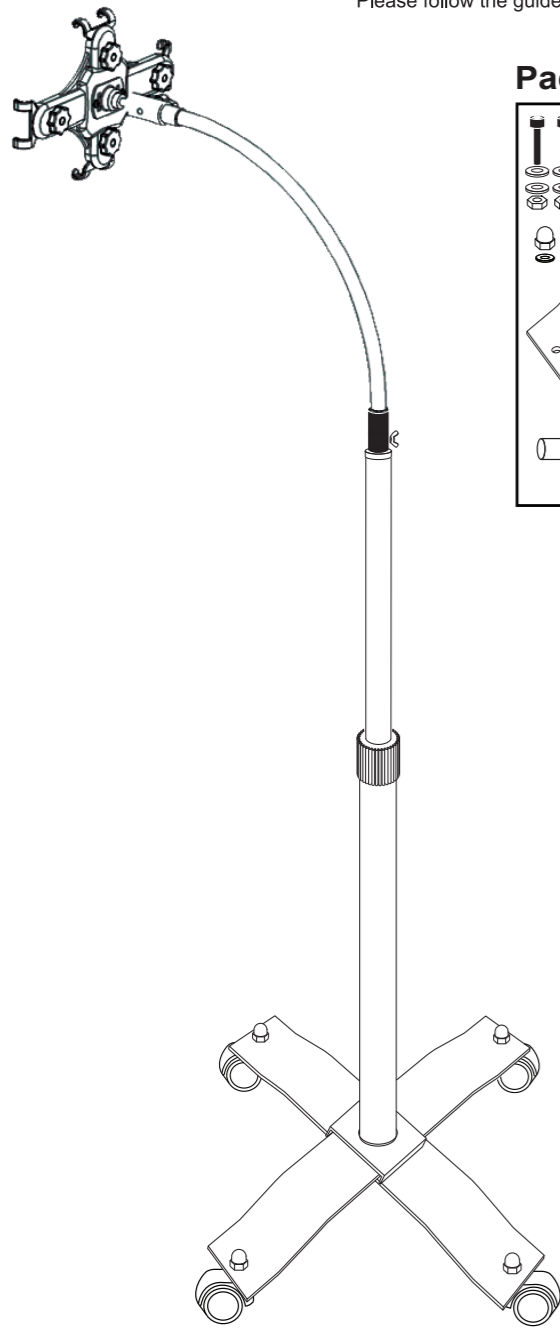
CTA DIGITAL

PAD-UAFS

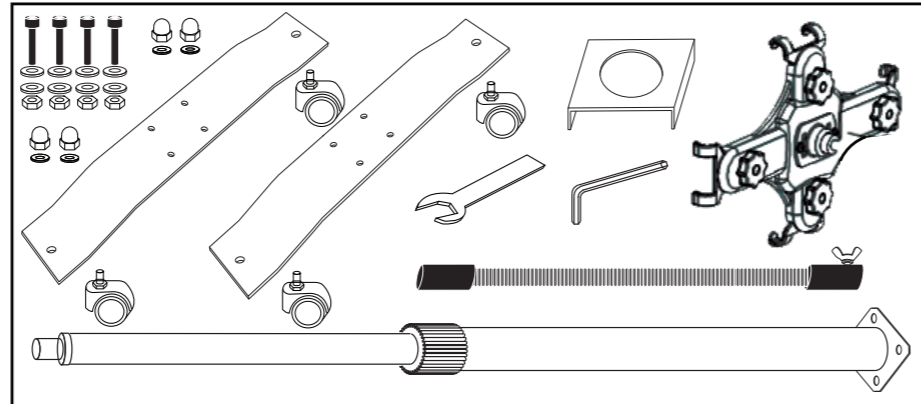
Universal Height-Adjustable Gooseneck Floor Stand for 9.7-10.1 Inch Tablets

INSTRUCTION MANUAL

Thank you for choosing CTA Digital's product. We hope that you will enjoy using it. Please follow the guidelines and instructions as laid out in this instruction manual.

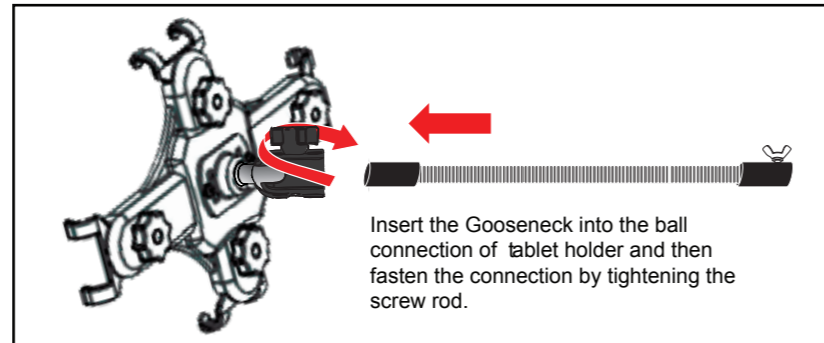


Package Contents:



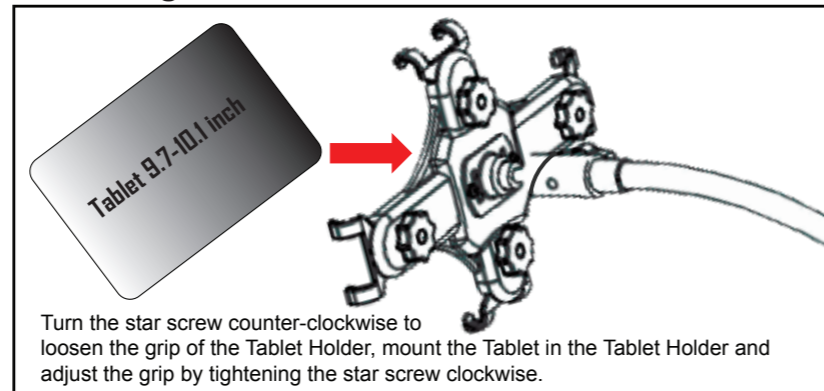
Instructions:

1. Assembly the Tablet Holder to the Gooseneck



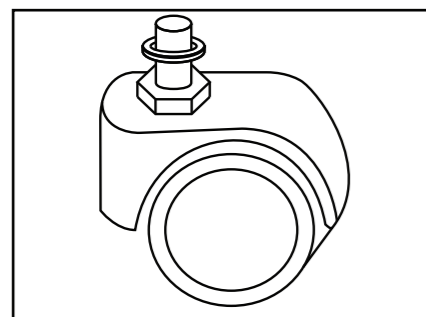
Insert the Gooseneck into the ball connection of tablet holder and then fasten the connection by tightening the screw rod.

2. Installing Your Tablet to the Holder

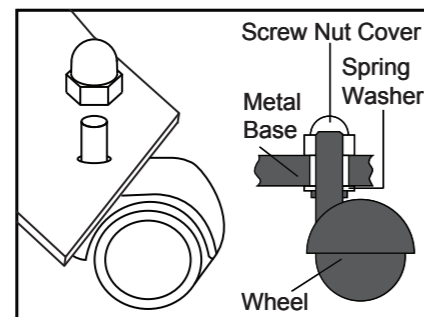


Turn the star screw counter-clockwise to loosen the grip of the Tablet Holder, mount the Tablet in the Tablet Holder and adjust the grip by tightening the star screw clockwise.

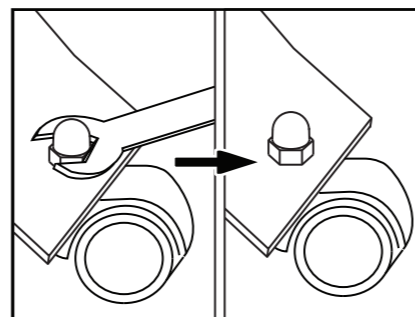
3. Installing the Wheels



Place a spring washer over the screw bolt on the wheel.



Place the screw bolt from each wheel through the metal base, then place a nut cover over the top of each. Screw down clockwise by hand, then use wrench to tighten further.



4. Base Assembly and Connecting the Metal Cover:

METAL CONNECTION

Pole Assembly and Pole Nut Cross Base Sections (2)

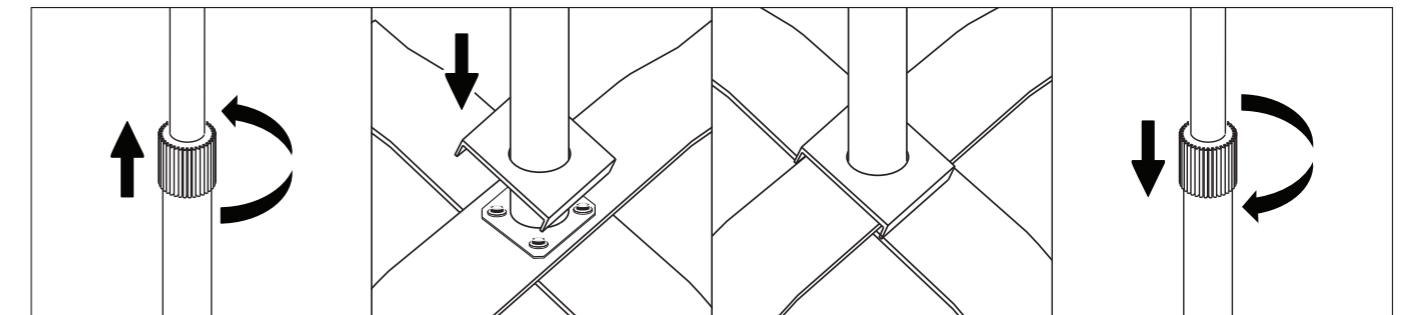
HEIGHT ADJUSTMENT KNOB

POLE

- 1) Place the metal base pieces with the higher piece on top of the cross base. Align the holes at the bottom of the pole with the holes on the cross base.
- 2) Insert a screw bolt with a washer into each of 4 holes. Place another washer on the underside of each screw bolts.
- 3) Grip the nut on the underside with one hand, and use the other to tighten each screw with Allen key. Repeat to tighten all four screw bolts.

CONNECTION SCREW BOLT, WASHERS AND NUT

METAL CROSS BASE X 2

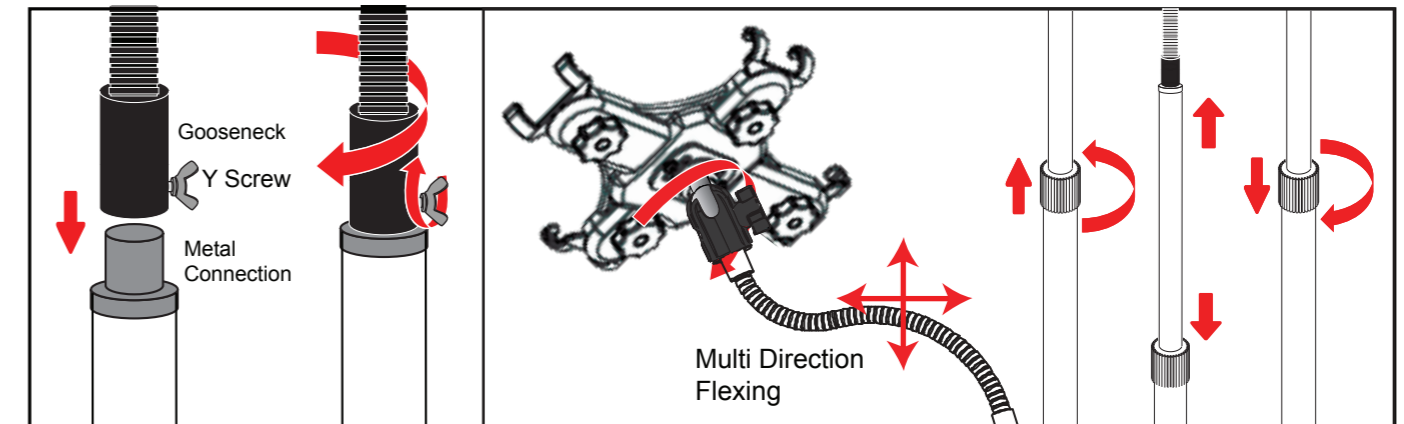


4. Rotate the grip counter clockwise to loosen completely and remove from top of pole.

5. Place the square metal cover over the top of the pole and slide down to stand base.

6. Place grip back over stand pole and tighten.

5. Connecting the Gooseneck Tablet Holder to the Pole and Adjusting



Screw gooseneck down onto metal connection by turning clockwise. Turn the Y screw clockwise to tighten the connection.

Note: if Y screw is already in, unscrew before attaching gooseneck.

Loosen the ball connection of the tablet holder and flex the Gooseneck to adjust the view angle. Turn plastic cover counter-clockwise and raise or lower the pole to desired height. Turn clockwise again to lock it in place.

SUPPORT@CTADIGITAL.COM