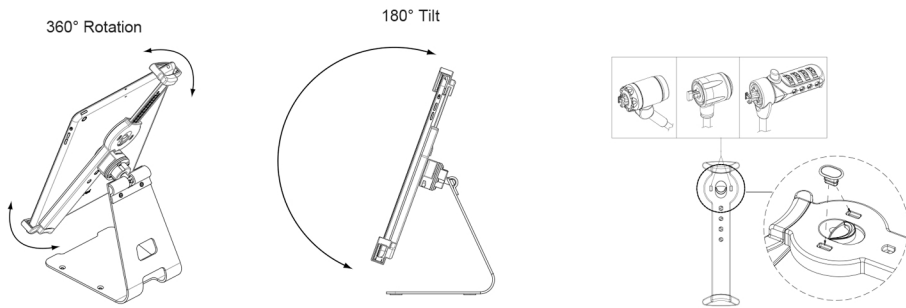
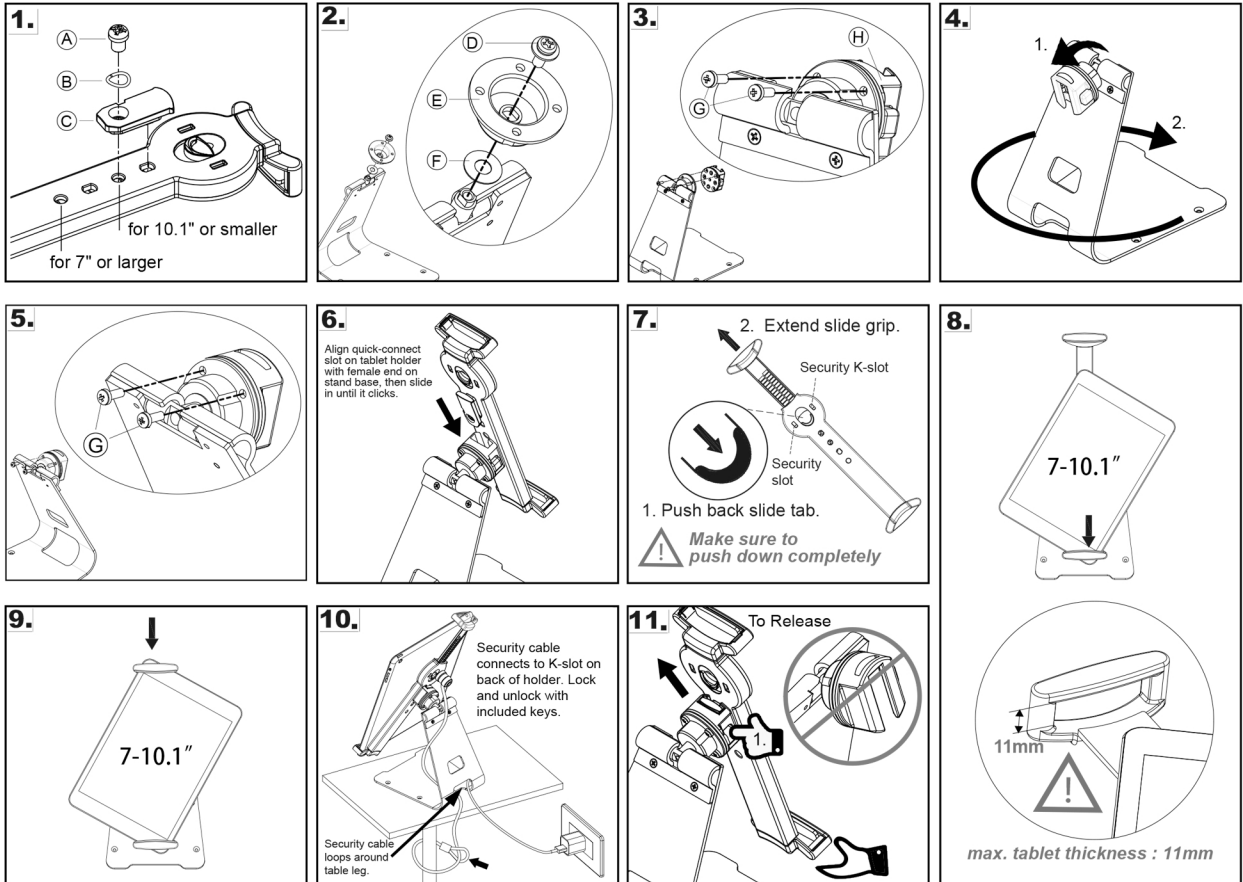
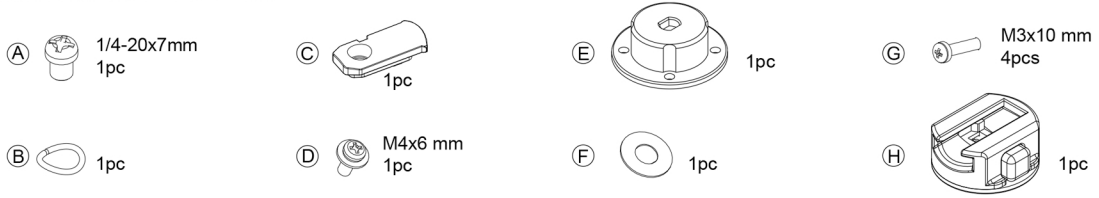


PAD-TSHB

INSTALLATION INSTRUCTIONS

Contents of Bracket:



* For Adjustable Tablet Lock only, please refer to step 7, 8 and 9 of installation instructions.