



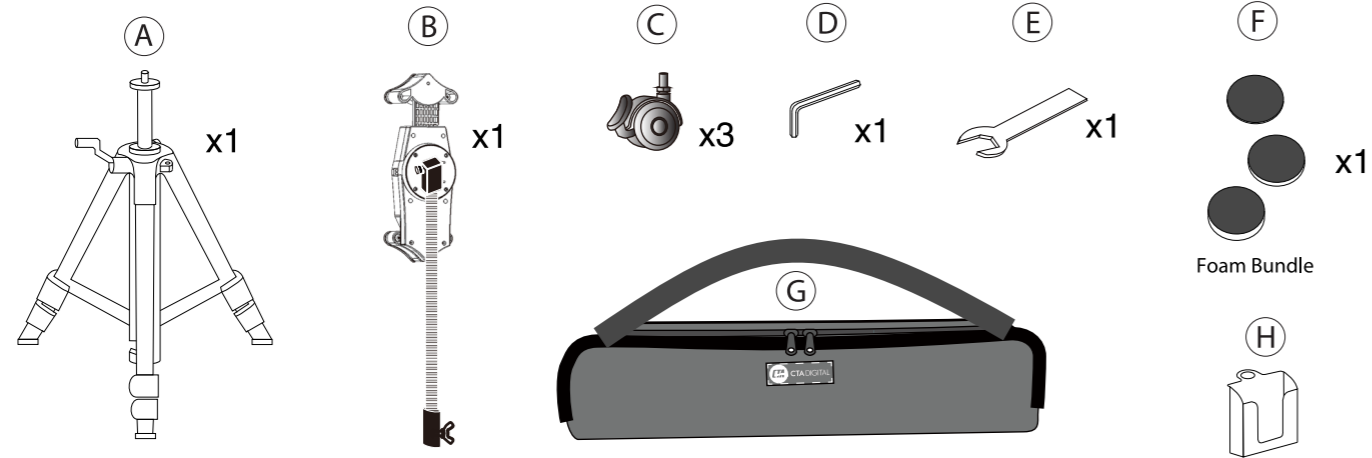
Rolling Tripod Floor Stand

For 8.6"-15.5" Tablets

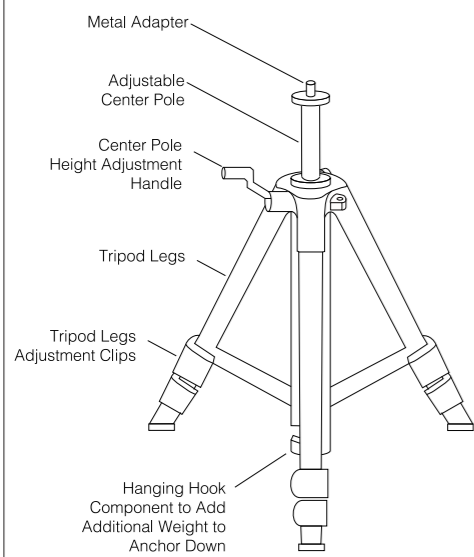
PAD-TRP

INSTRUCTION - MANUAL

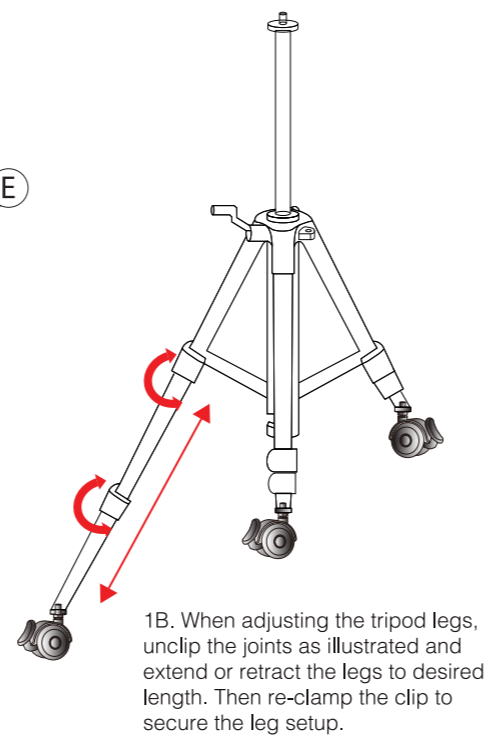
Package Contents:



1. Assembling the Base Stand

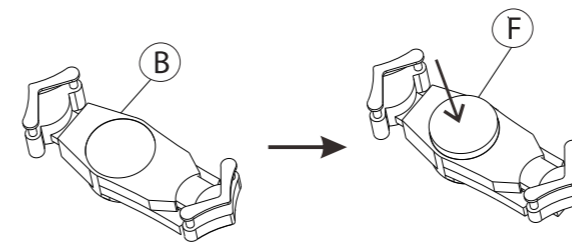


1A. Identify the tripod body (A) and rotate in the 3 wheels (C) using the provided tool (E) until securely tightened.



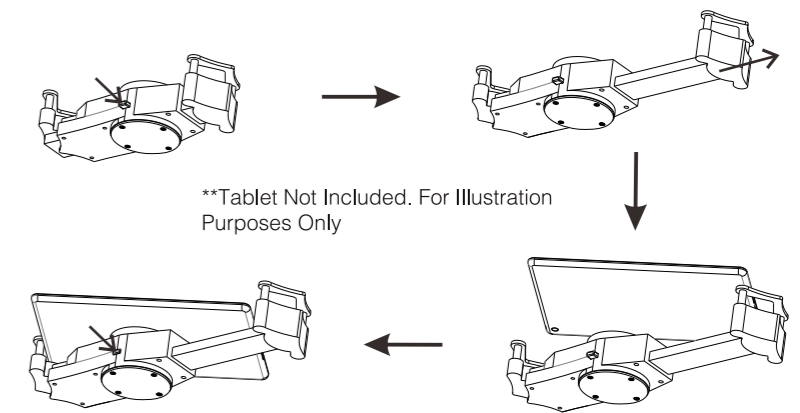
1B. When adjusting the tripod legs, unclip the joints as illustrated and extend or retract the legs to desired length. Then re-clamp the clip to secure the leg setup.

2. Setting up Foam Piece on Holder



2A. Peel off backing on the desired foam piece (F) to be adhered onto holder (B). Foam piece is to aid in having your tablet be securely fitted onto the holder for a sturdy grip. Use any combination of foam pieces as needed if 1 foam piece isn't enough.

3. Inserting a Tablet into Holder



3A. Press the release button on the side of the holder. While holding the button, extend the arms so you're able to insert your device. Press the button again to retract arms and firmly grip at the corners of your device securely

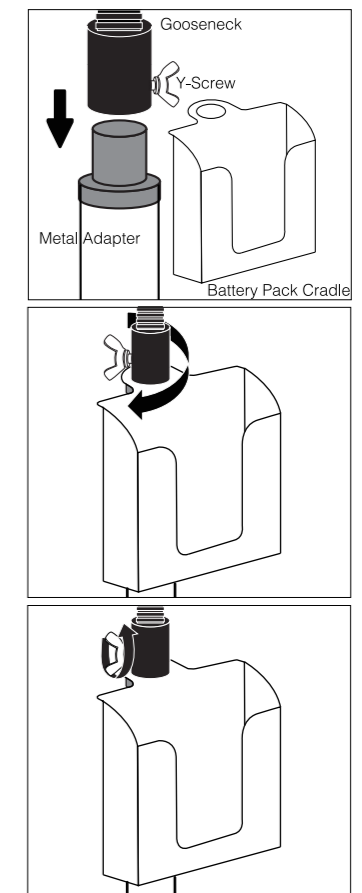
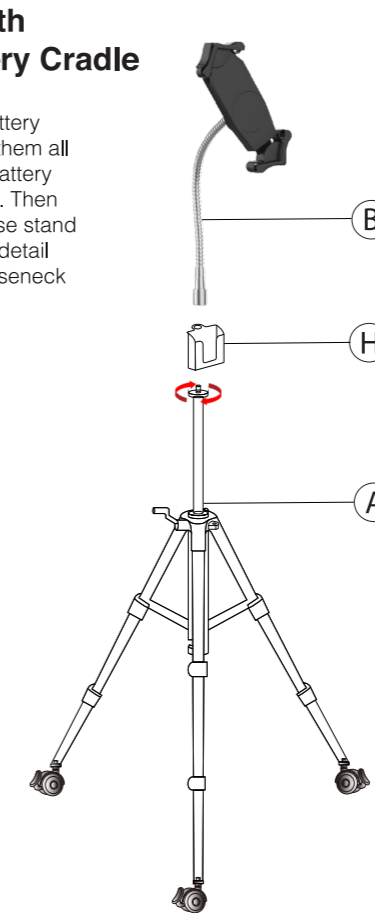
4. Assembling Base Stand with Gooseneck, Holder and Battery Cradle

4A. Take the gooseneck with holder (B), the battery pack cradle (H), the base stand (A), and align them all together as shown to the right. First, hook the battery pack cradle onto the base stand metal adapter. Then rotate in the gooseneck component into the base stand until securely tightened. Turn the Y screw (see detail diagram to the right) to securely fasten the gooseneck to the base stand.

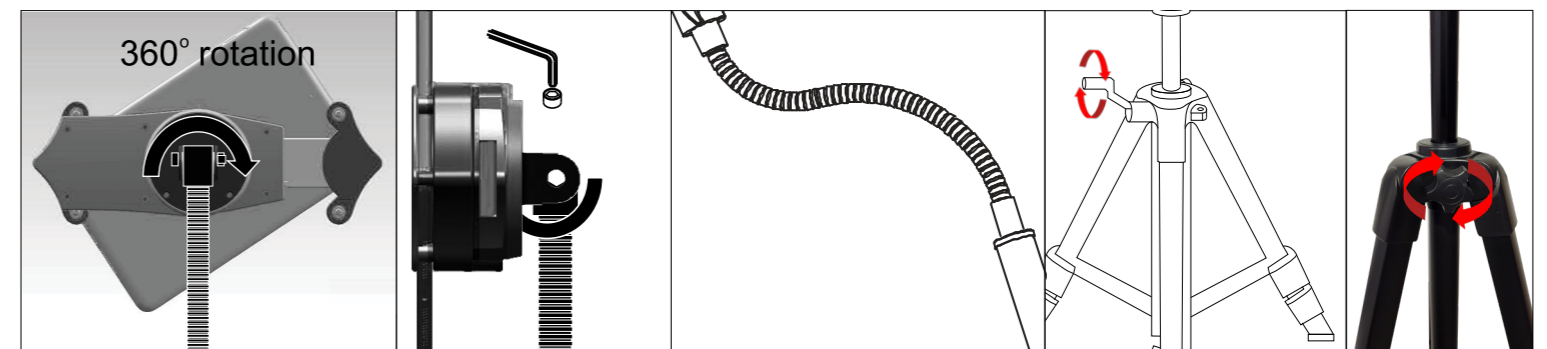
LOCKING / UNLOCKING WHEELS



Flip up and down lever to lock or unlock wheels for mobile or stationary setups.



How to Flex and Adjust the Tripod Floor Stand



PORTRAIT / LANDSCAPE

Rotate the joint behind the tablet holder in a 360 degree fashion as shown to either portrait or landscape orientation as preferred.

**Tablet Not Included. For Illustration Purposes Only

TIGHTENING / LOOSENING MAIN JOINT

Using an allen key, tighten the joint to create a more static and rigid setup. Loosen to allow adjustability as needed.

ADJUSTING GOOSENECK

Using your hands, simply adjust for a multitude of angles the gooseneck until desired orientation, tilt angle, side angles are all achieved for the preferred setup.

ADJUSTING HEIGHT

Identify the center pole height adjustment handle. Rotate clockwise and counterclockwise to raise or lower the center pole for preferred height. Once desired height is set, rotate knob in the middle opposite side of the handle to tighten and create a more rigid and secure setup.