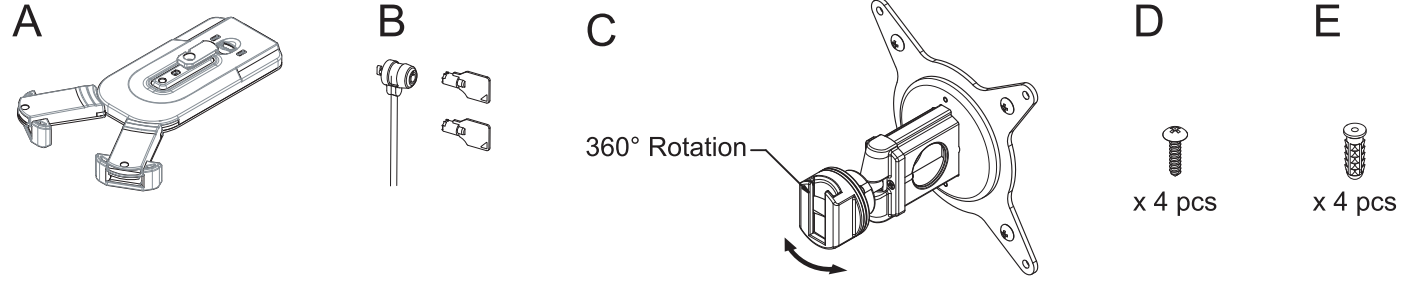


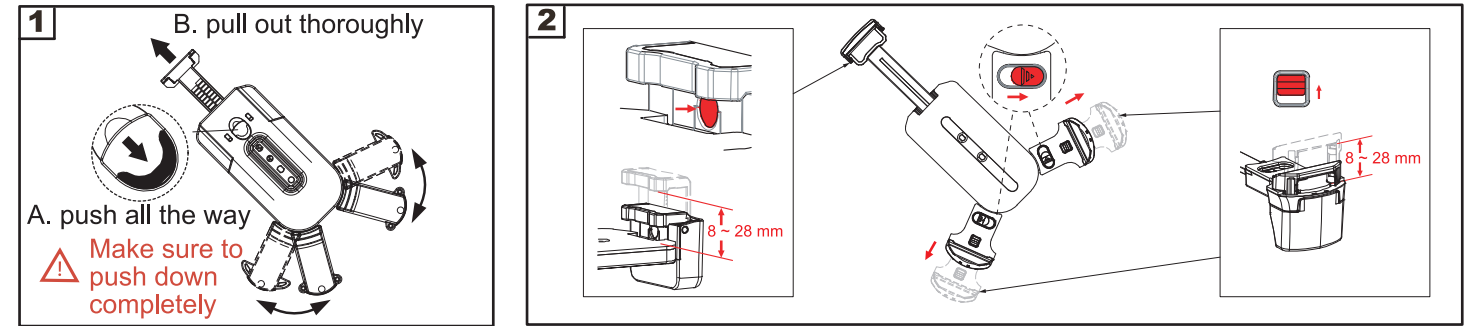
# INSTALLATION INSTRUCTIONS

PAD-TGSV

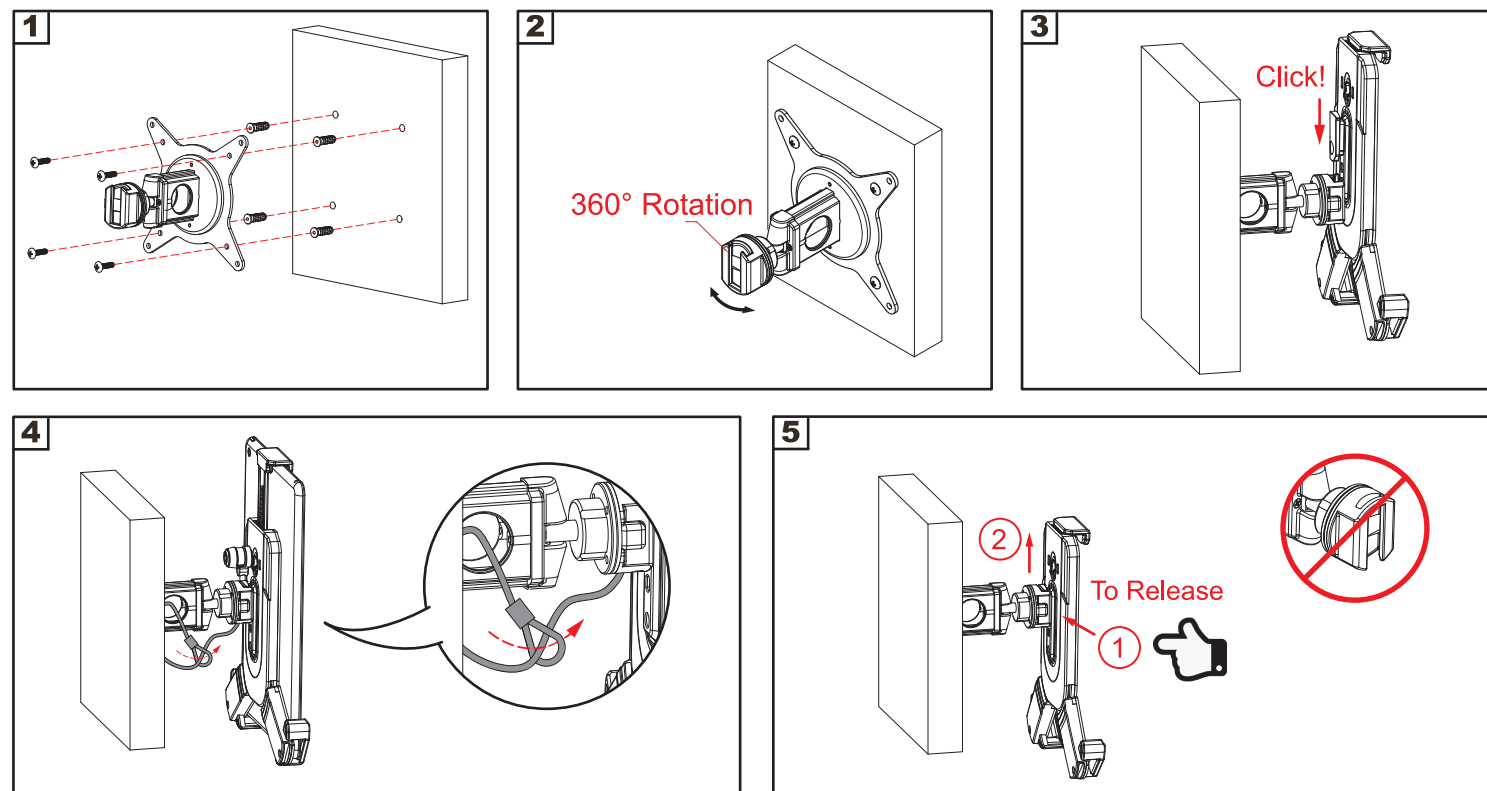
## Contents :



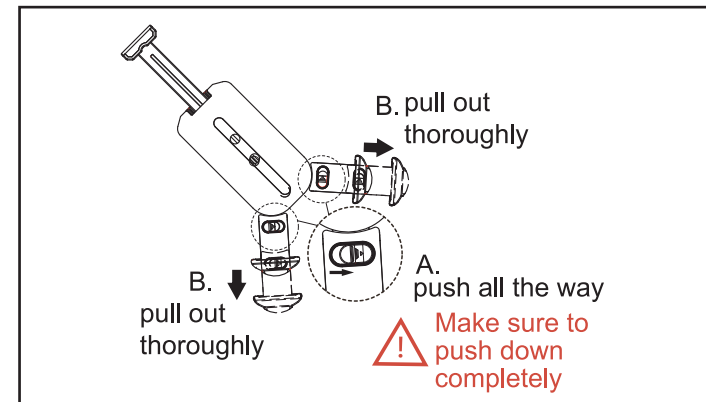
## How to install the tablet on the holder :



## How to install the base on the wall : (A.B.C.D.E)



## For Tablet 10.1~13"



## For Tablet 7.9~10"

