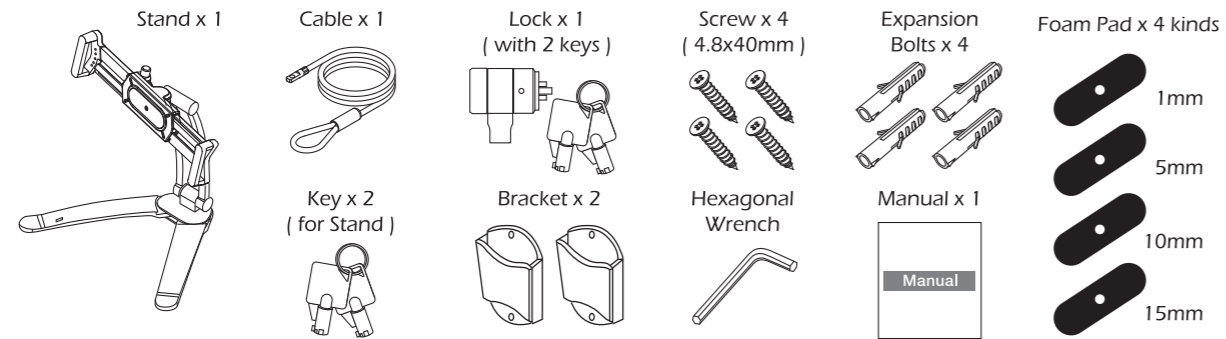
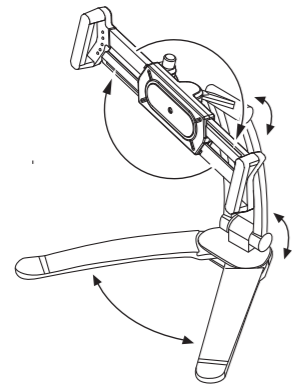


2-in-1 Security Multi-Flex Tablet Stand and Wall Mount

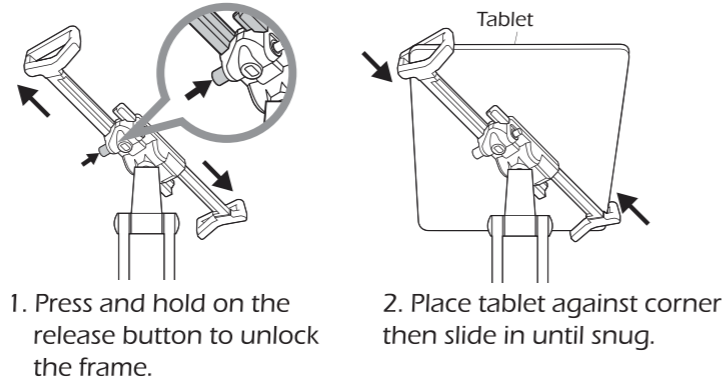
Contents



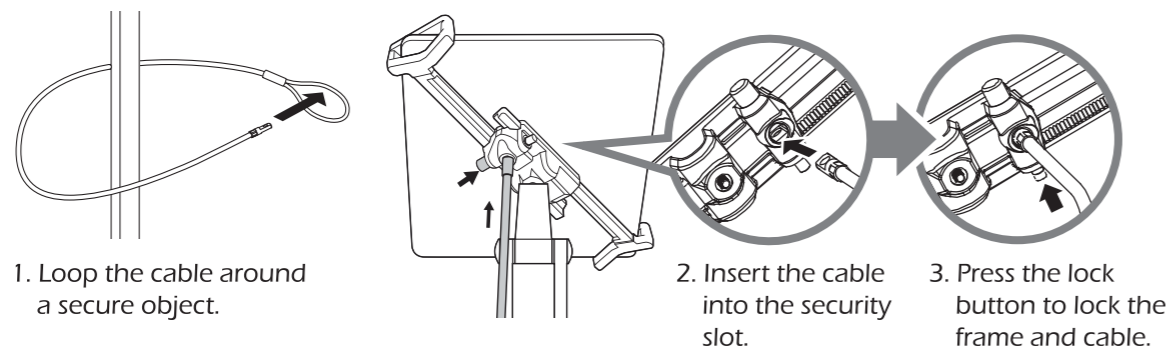
Adjusting the Angle



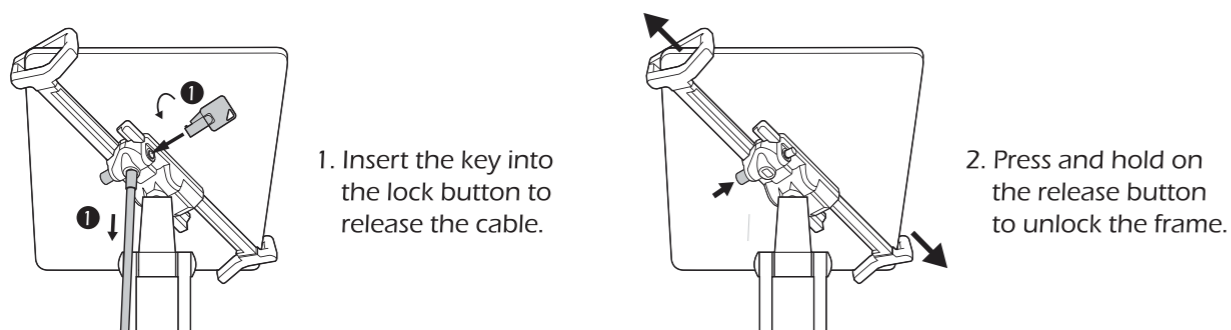
Installing Your Tablet



Using the Lock

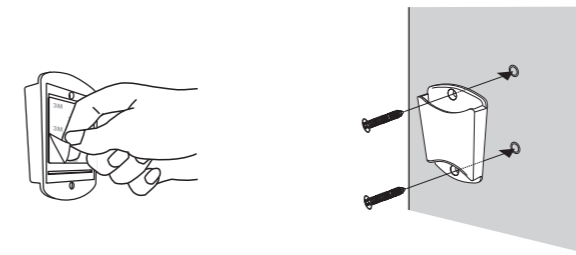


Unlock The Security Frame

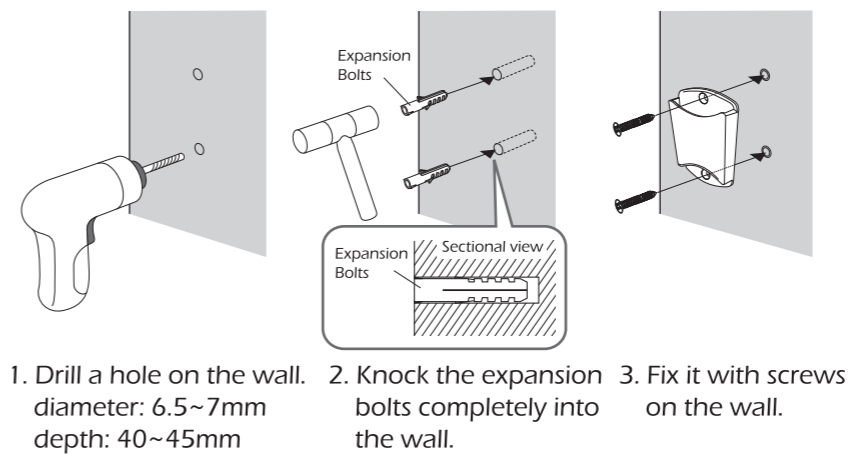


Mounting Tablet On The Wall

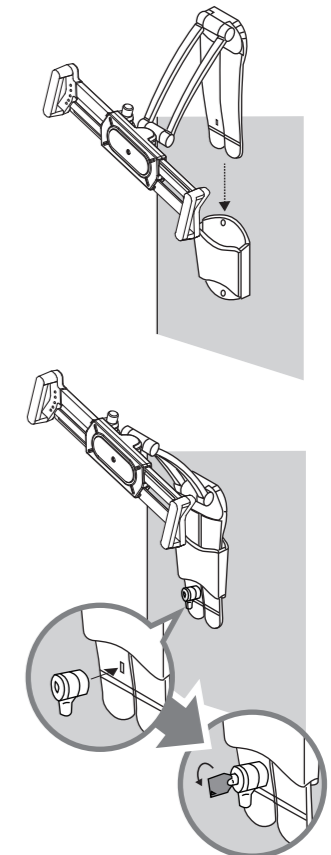
A - For wooden wall



B - For cement wall



Lock The Stand on Wa



Adjusting the Joint

If the joint is loose, you can tighten it with the hexagonal wrench.

