



# PAD-SHFSW

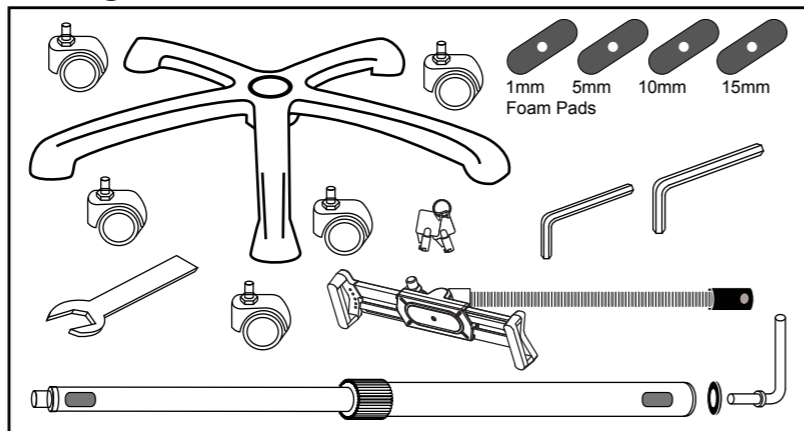
CTA DIGITAL

## Heavy-Duty Medical Mobile Floor Stand (White) for 7-13 Inch Tablets

### INSTRUCTION MANUAL

Thank you for choosing CTA Digital's product. We hope that you will enjoy using it. Please follow the guidelines and instructions as laid out in this instruction manual.

#### Package Contents:



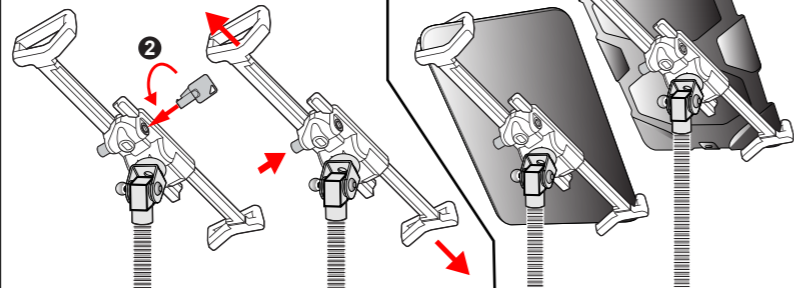
#### Instructions:

##### 1.Unlock the Security Holder

1.Select and stick on the correct foam pad according to the thickness of your tablet.



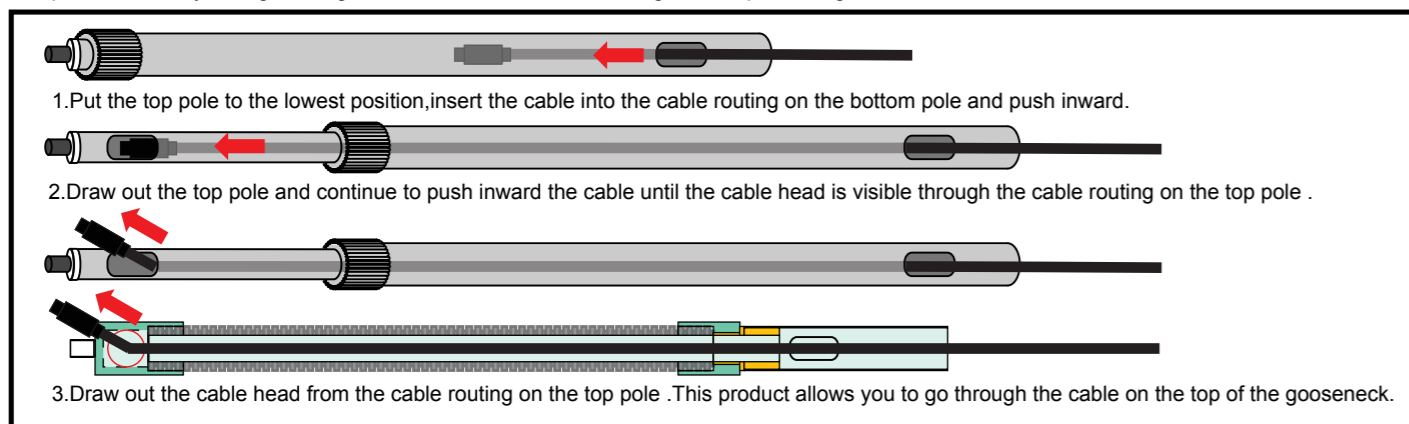
2.Insert the key into the lock slot.  
3.Press and hold on the release button to unlock the holder.



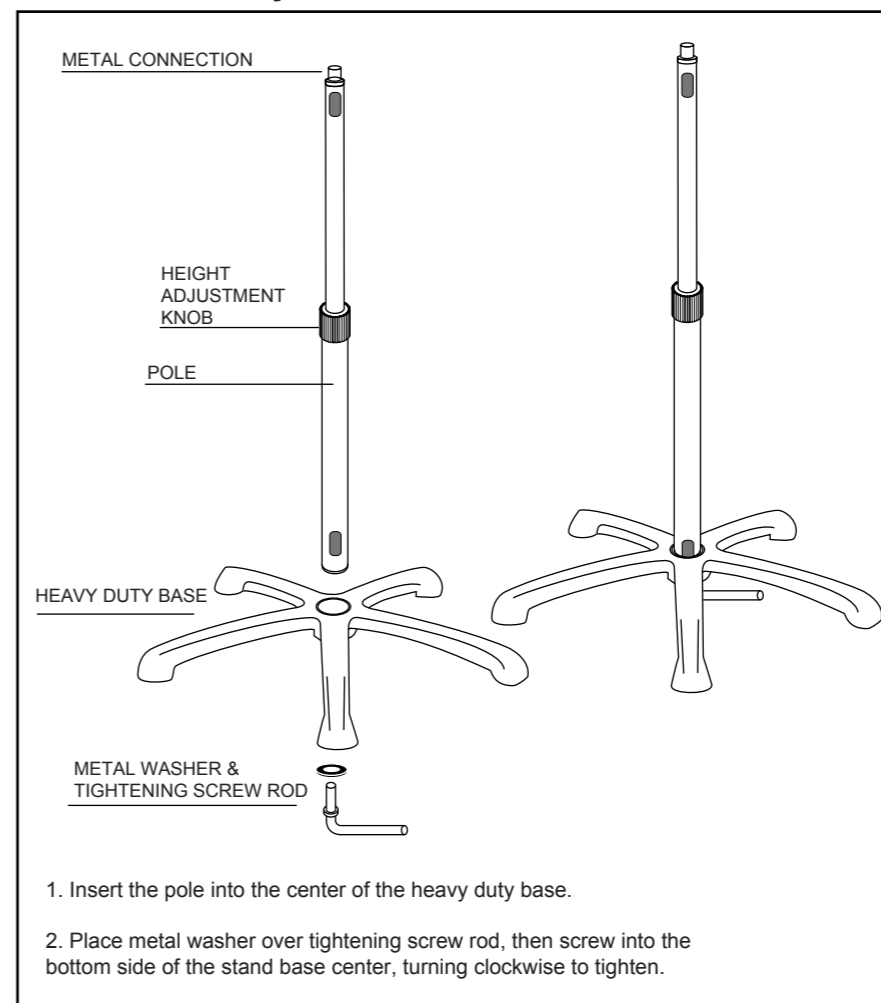
The optional foam pads(1,5,10,15mm) allow you to install your tablet with or without a case

##### 2.Going the Cable Through the Cable Routings on the Pole

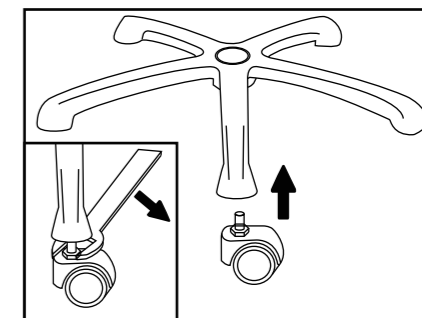
This product allows you to go through the cable from the cable routings on the pole and gooseneck.



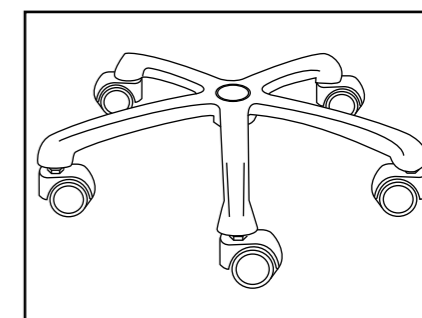
#### 3.Stand Assembly:



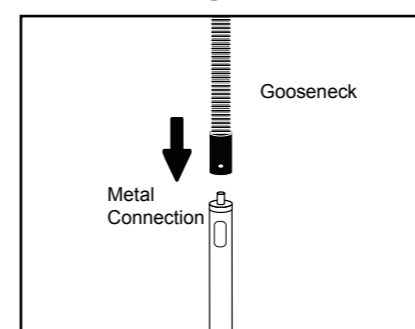
**Attaching wheels:**  
Connect wheels to stand base before attaching pole.



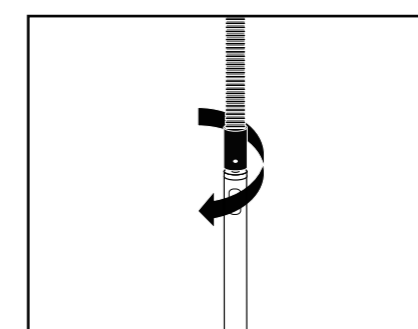
Screw wheels into floor base by hand, then use wrench to tighten.



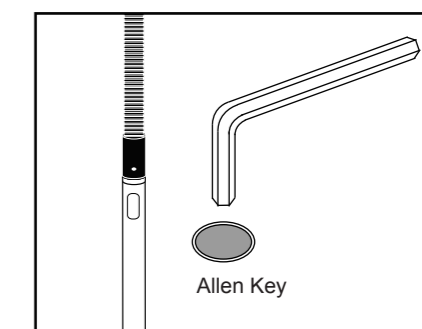
#### 4.Connecting the Gooseneck Tablet Holder



1. Place the gooseneck over metal connection on the pole.

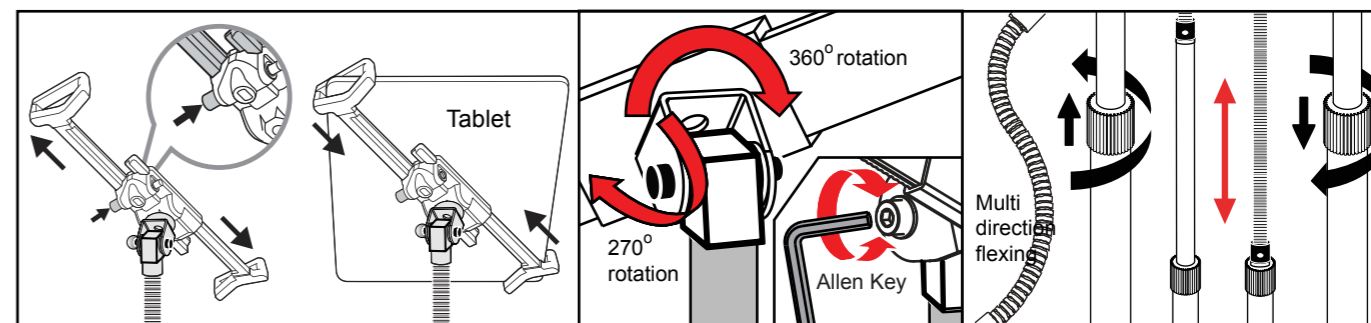


2. Turn clockwise to screw down until tight.



3.Use the smaller Allen key to tighten the small meter screw inside the gooseneck.  
*Note: if meter screw is already in, unscrew before attaching gooseneck in step 2.*

#### 5. Installing your Device and Adjusting the Tablet Holder



1. Press and hold on the release button to unlock the holder,place tablet against corner then slide in until snug.

2. Use Allen key to adjust tension at point of connection between the tablet holder and gooseneck,flex the gooseneck to adjust the view angle according to your needs.

3. Rotate plastic grip counter-clockwise to loosen, then adjust pole to desired height. Rotate plastic grip clockwise to tighten.

SUPPORT@CTADIGITAL.COM