



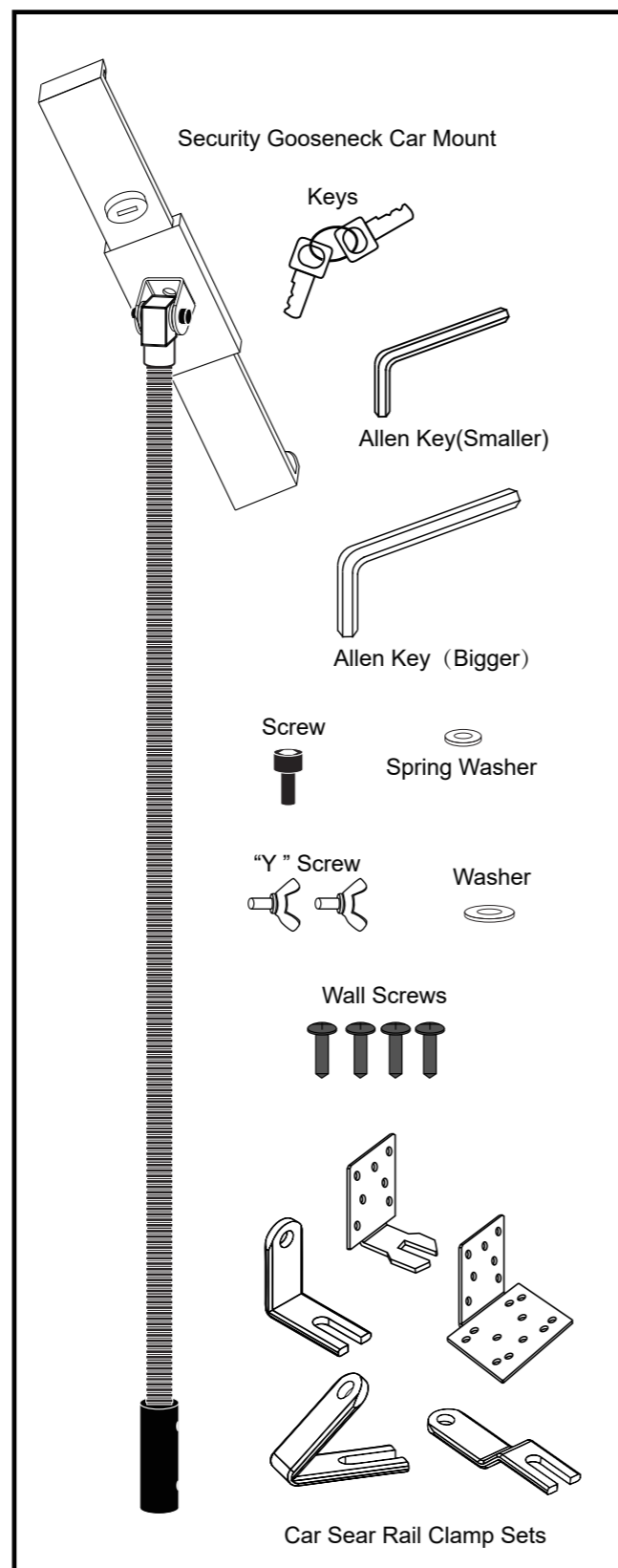
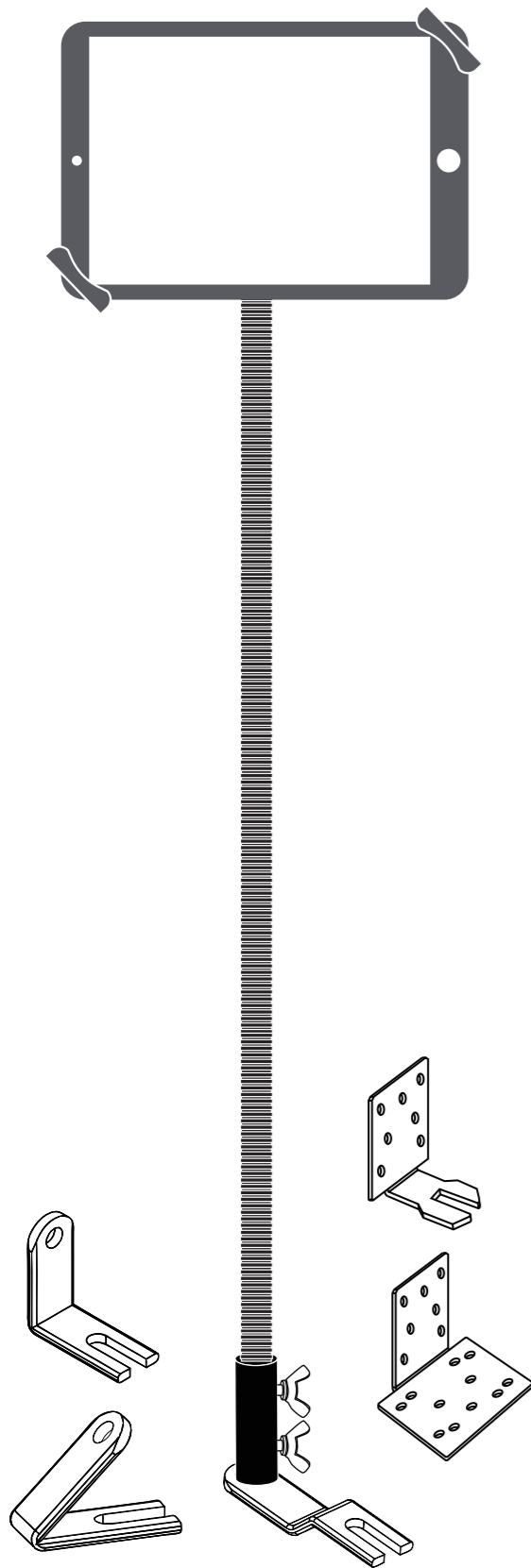
# PAD-SGCT

CTA DIGITAL

## Security Gooseneck Car Mount for 7-14 Inch Tablets

### INSTRUCTION MANUAL

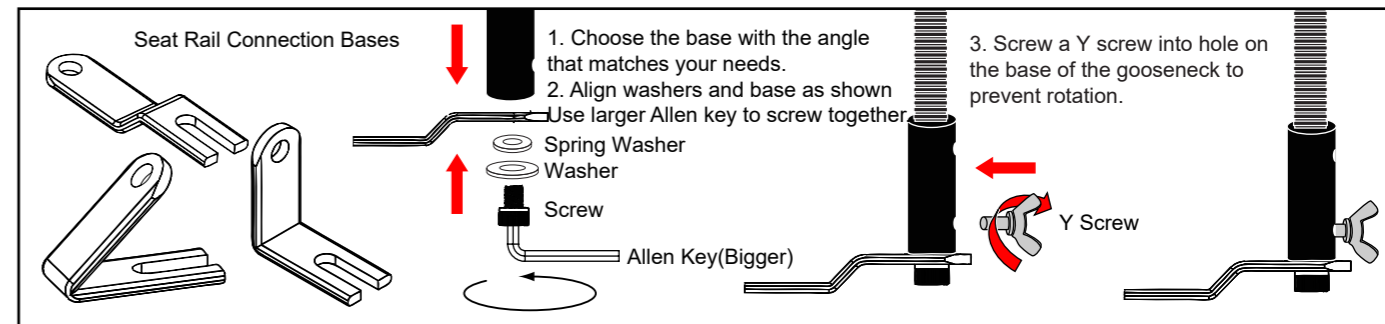
Thank you for choosing CTA Digital's product. We hope that you will enjoy using it. Please follow the guidelines and instructions as laid out in this instruction manual.



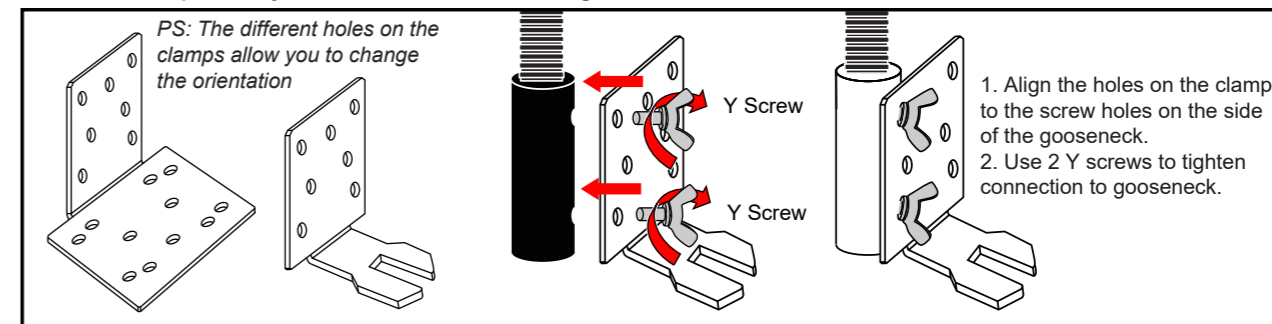
### Instructions:

#### 1. Attaching Base to Gooseneck

Depending on your car or vehicle, you may need to choose the different car seat rail clamp according to your needs. These three clamps allow you to connect from the bottom of the gooseneck.

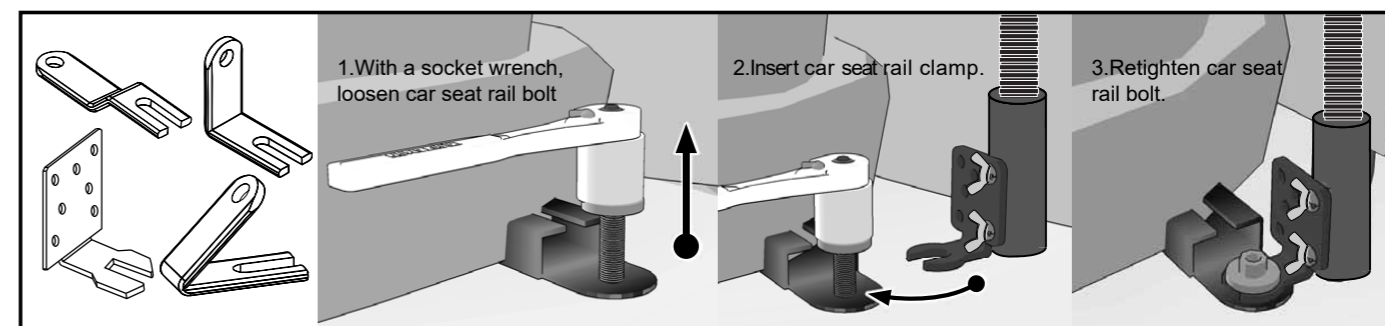


#### These two clamps allow you to connect the side of the gooseneck

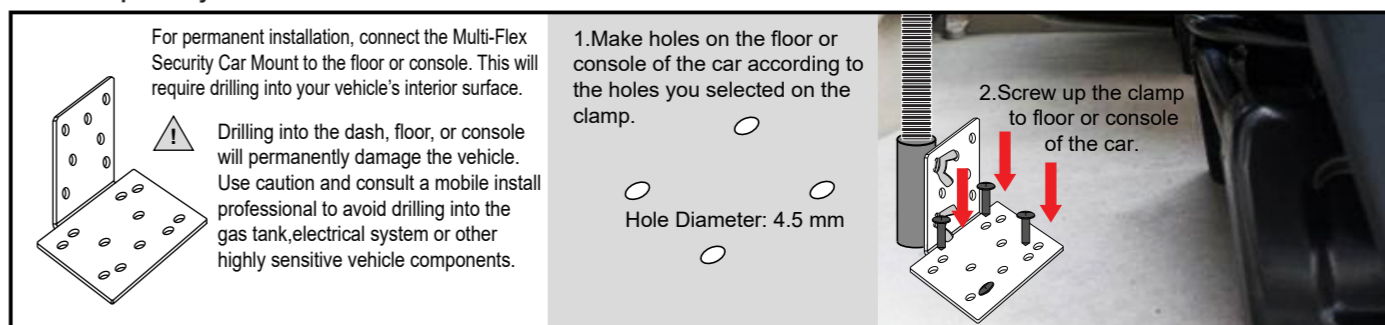


#### 2. Installing to your Car

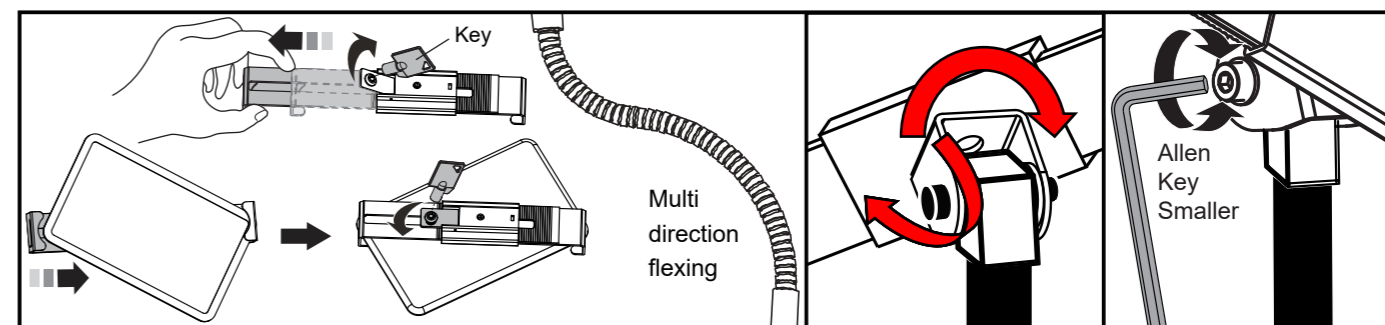
These four clamps allow you to connect the car seat rail.



This clamp allow you to connect it to the car floor or console.



#### 3. Installing your Device and Adjusting the Tablet Holder



1. Insert key into lock at back of holder. Turn counter-clockwise to unlock, then slide to open. Insert tablet against fixed end, then slide down to hold tight. Turn key clockwise to tighten.
2. Use smaller Allen key to adjust tension at point of connection between the tablet holder and gooseneck.

**Safety Precautions**  
Do not install CTA's products over an air bag cover or within the air bag deployment zone. CTA Digital, Inc. assumes no responsibility of liability for injury or death as a result of car crashes and / or air bag deployment. CTA is not responsible for any damages caused to your vehicle, your device, or yourself due to the installation or use of this product.

SUPPORT@CTADIGITAL.COM