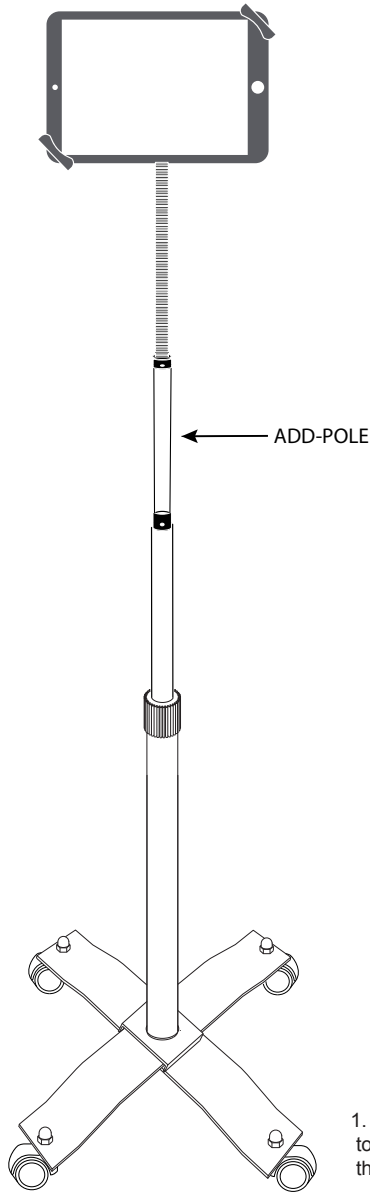




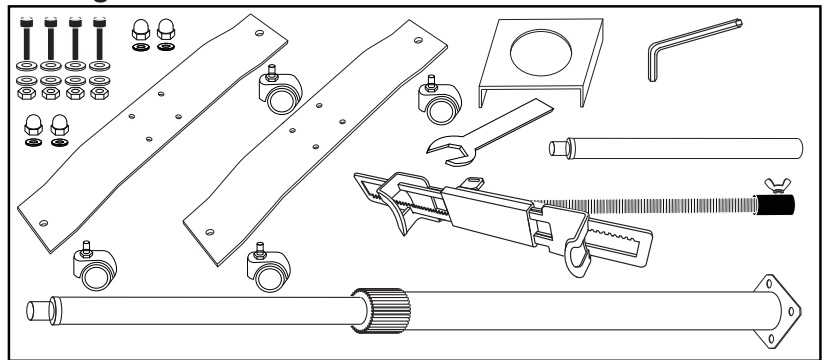
Compact Security Gooseneck Floor Stand & Connecting Pole Add-on

INSTRUCTION MANUAL

PAD-SCGS & ADD-POLE

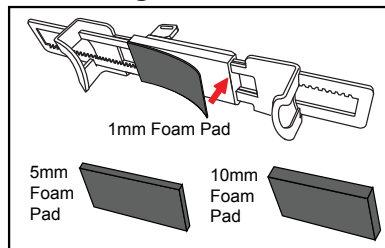


Package Contents:



Instructions:

1. Attaching Foam Pad to Tablet Holder



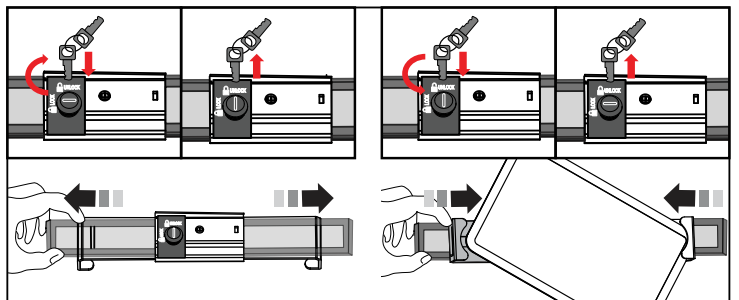
Use this table to determine the appropriate foam pad to use with your tablet.
Note: sizes refer to total tablet size with or without a case.

Foam Pad Thickness	Tablet Thickness:
1mm	0.67-1.06in / 17-27mm
5mm	0.51-0.91in / 13-23mm
10mm	0.31-0.71in / 8-18mm

Select the appropriate foam pad according to the thickness of your tablet (or tablet in its case), then press adhesive side into center of the tablet holder.

Section 1

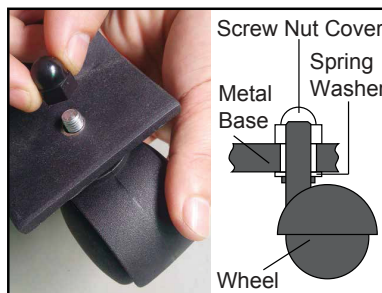
1. Insert key and set position to unlock. Remove key, then slide holder open.
2. Load tablet corner first into one end. Insert key and set to lock, then slide holder shut until secure. Remove key.



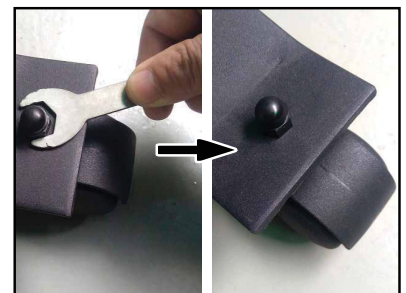
2. Installing the Wheels



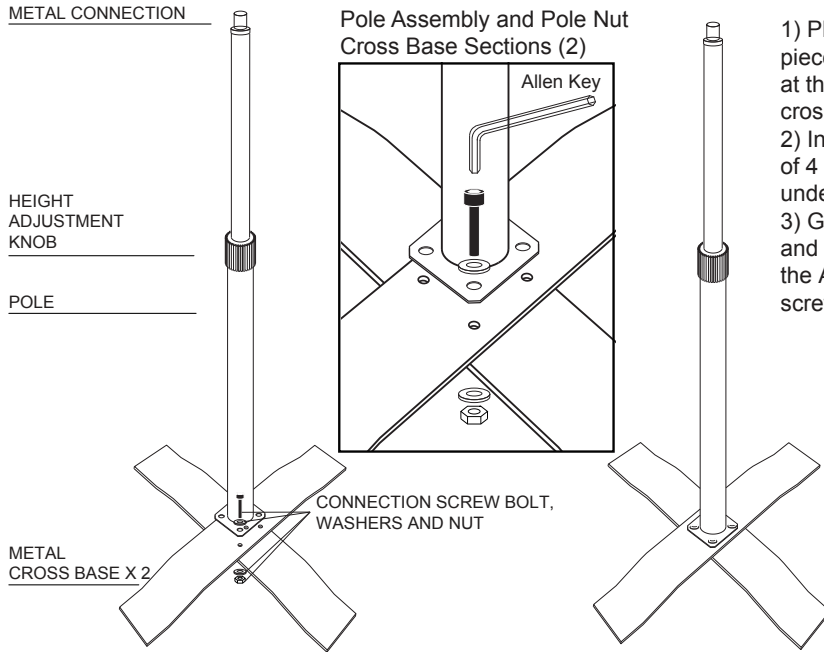
Place a spring washer over the screw bolt on the wheel.



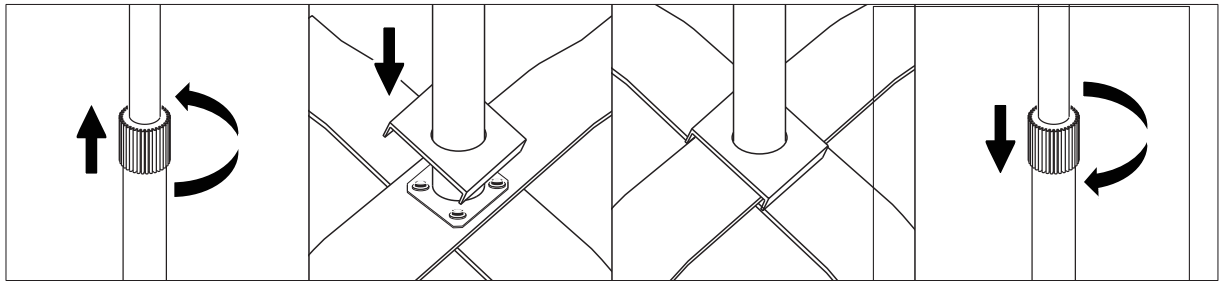
Place the screw bolt from each wheel through the metal base, then place a nut cover over the top of each. Screw down clockwise by hand, then use wrench to tighten further.



3. Base Assembly and Connecting the Metal Cover:



- 1) Place the metal base pieces with the higher piece on top of the cross base. Align the holes at the bottom of the pole with the holes on the cross base.
- 2) Insert a screw bolt with a washer into each of 4 holes. Place another washer on the underside of each screw bolts.
- 3) Grip the nut on the underside with one hand, and use the other to tighten each screw with the Allen key. Repeat to tighten all four screw bolts.

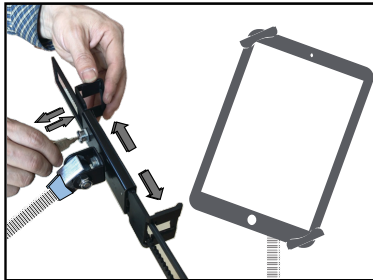


4. Rotate the grip counter clockwise to loosen completely and remove from top of pole.

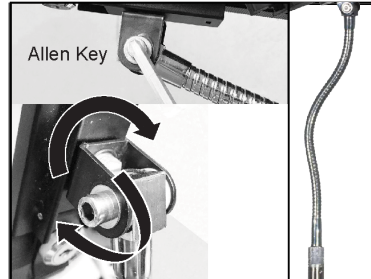
5. Place the square metal cover over the top of the pole and slide down to stand base.

6. Place grip back over stand pole and tighten.

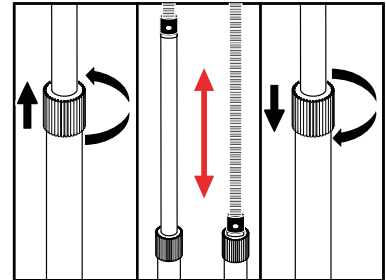
4. Installing your Device and Adjusting the Floor Stand:



1. Refer to Section 1 to install your device and make sure you have held it securely.



2. Tighten and loosen the gooseneck to holder connection screw to adjust ease of rotation.



3. Rotate plastic grip counter clockwise to loosen, then adjust pole to desired height. Rotate plastic grip clockwise to tighten.

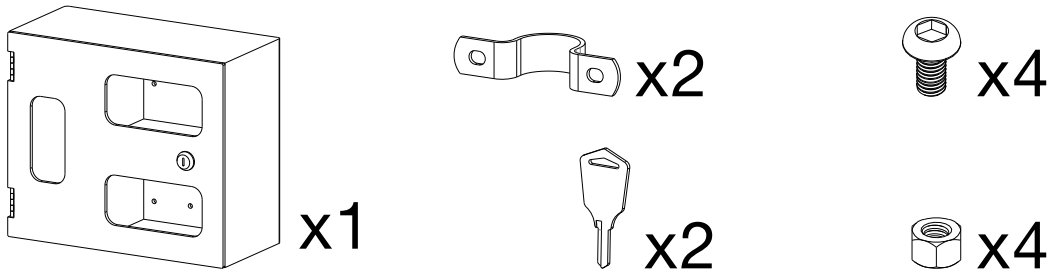


Security Acrylic Sanitizing Station

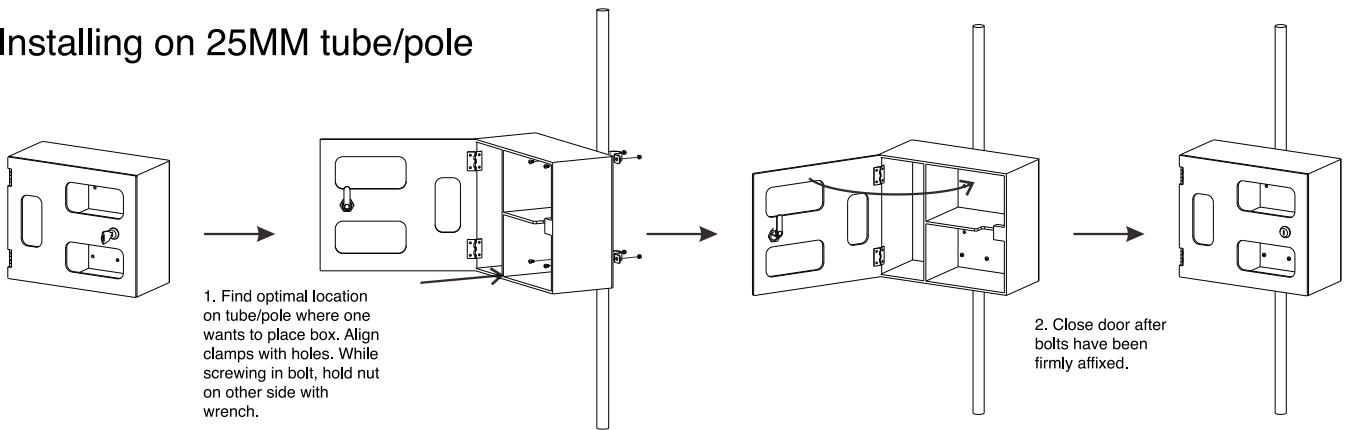
INSTRUCTION MANUAL

ADD-GLVBOX

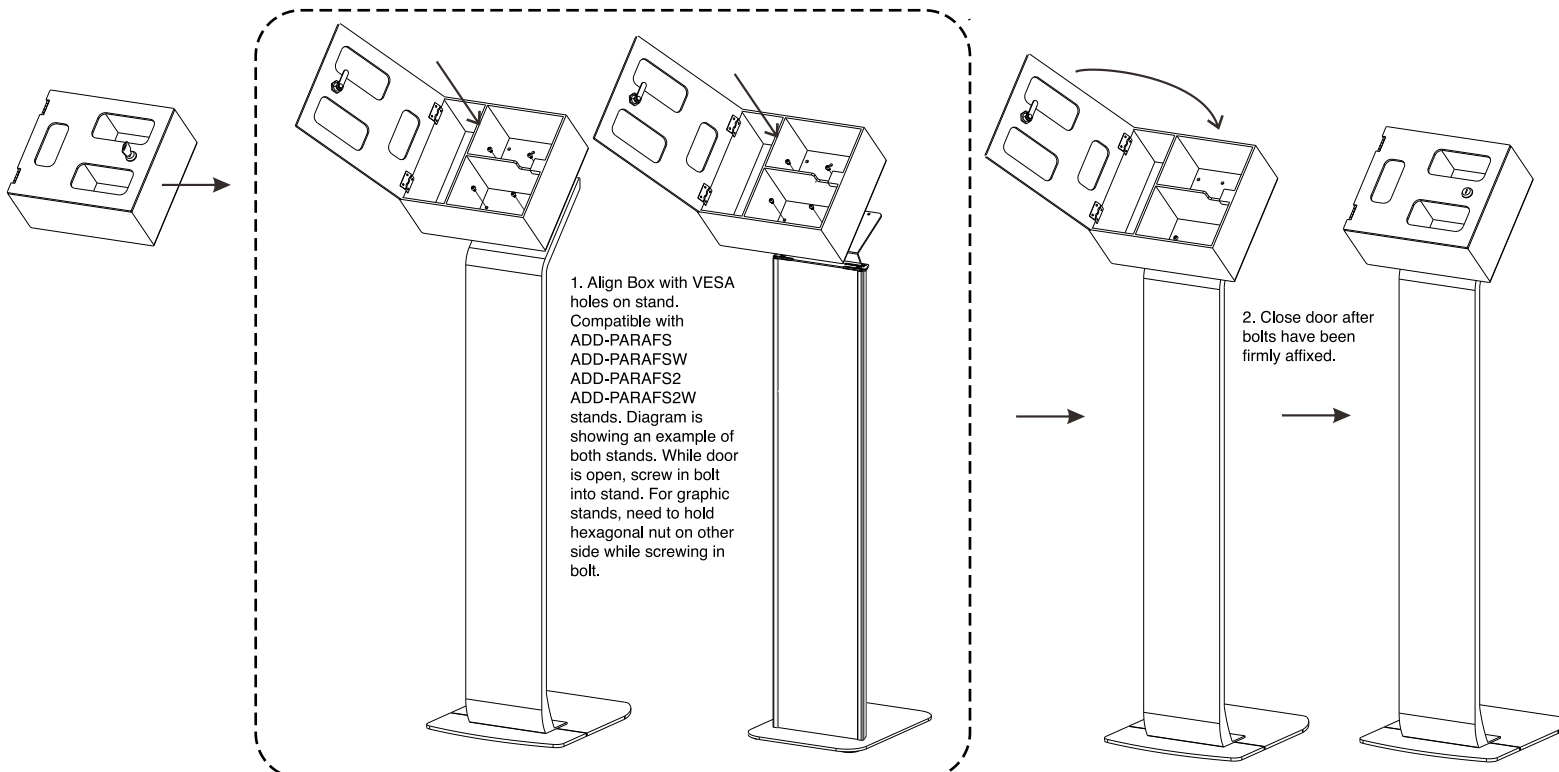
Component Checklist



Installing on 25MM tube/pole



Installing on a VESA 75x75 size

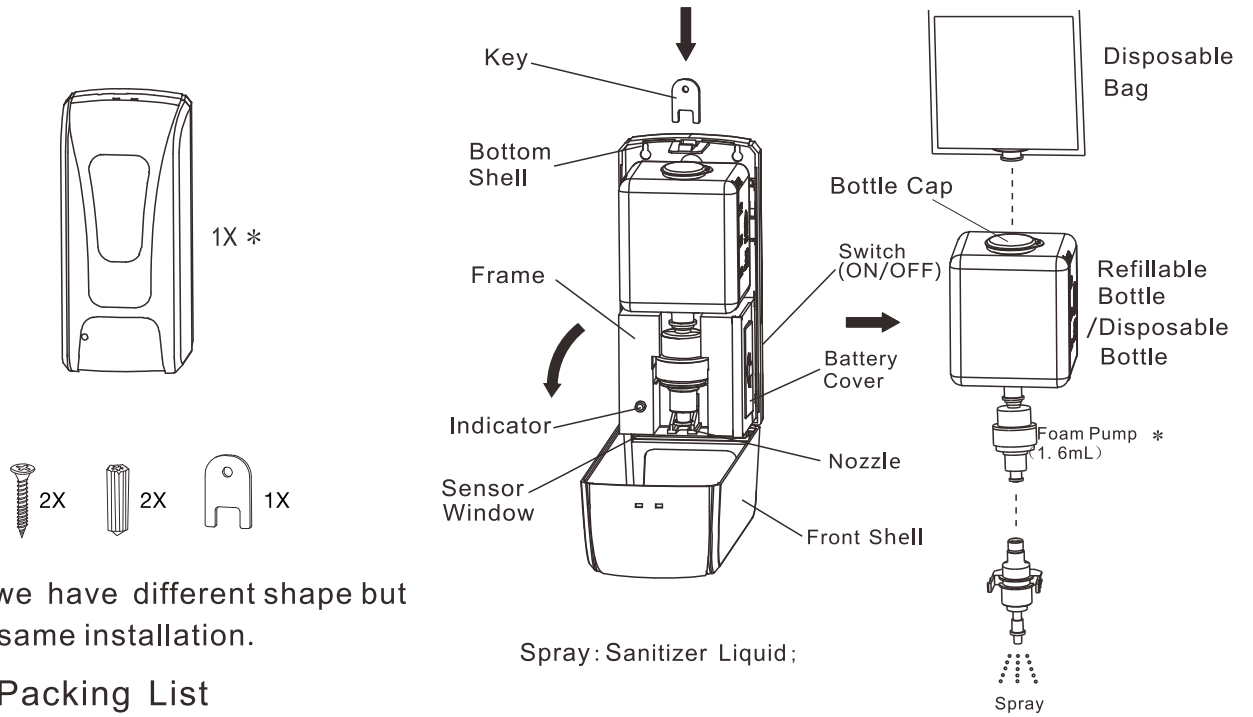




Automatic Hand Sanitizer Dispenser

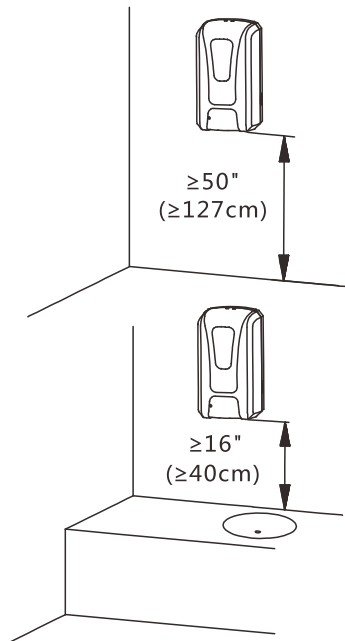
INSTRUCTION MANUAL

ADD-AUTOSP



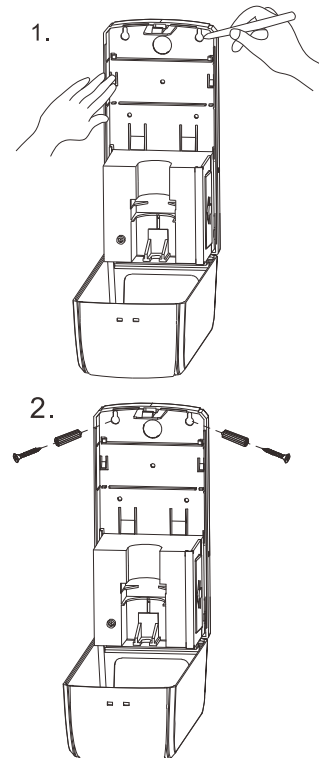
A Packing List

B Part Name

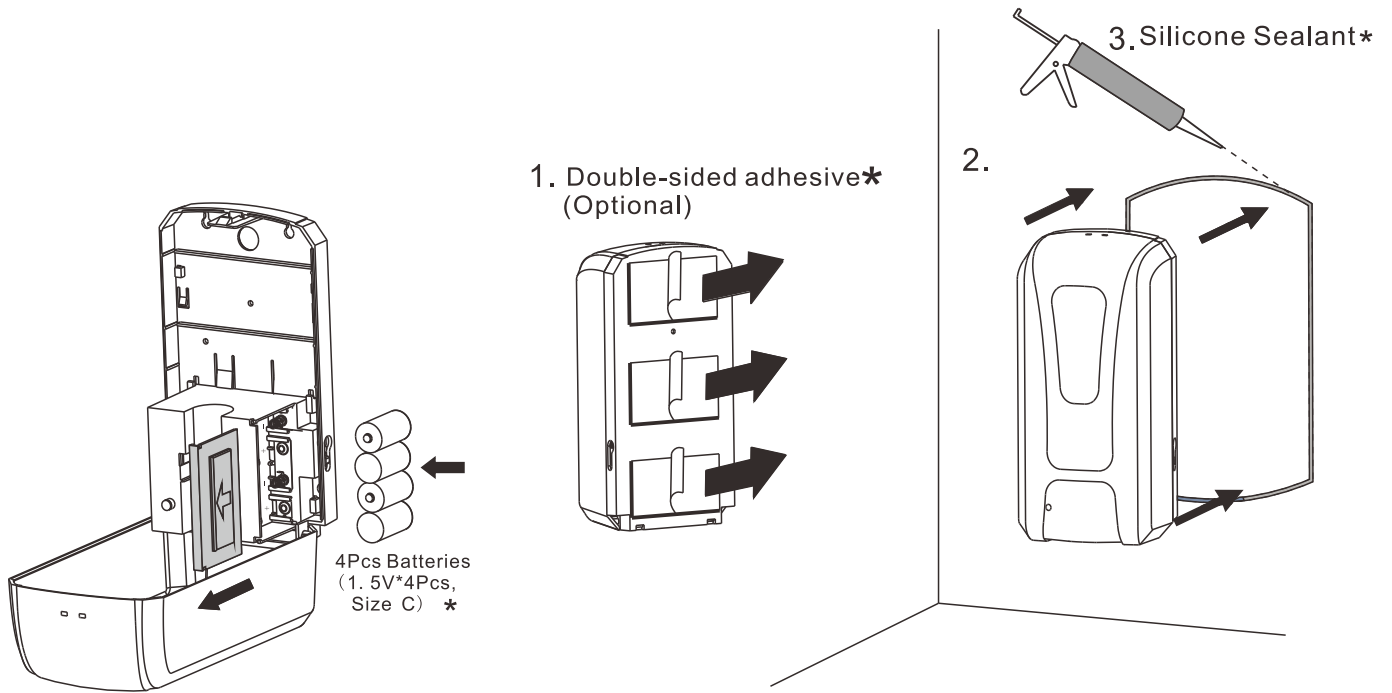


* keep away from sunshine and humid place

C Height from Floor/Table



D Way for Screw

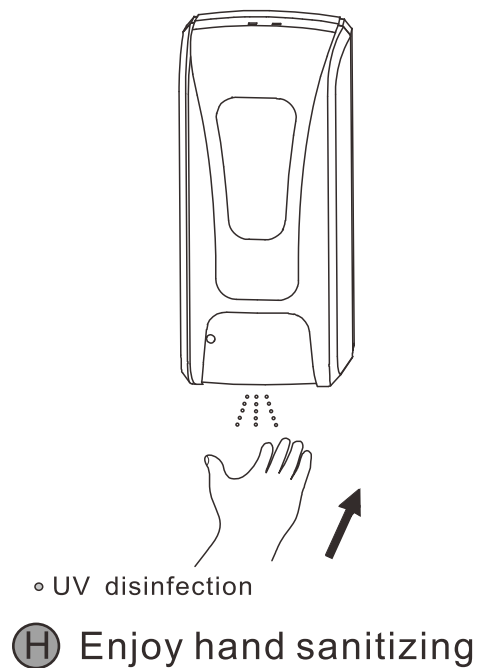
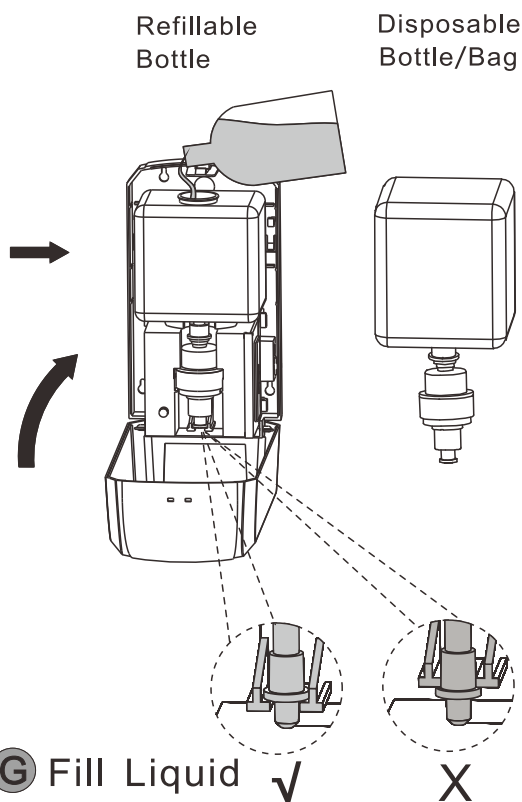


* The Standard Packing is not including and Batteries

* The standard Packing is not including Double-sided adhesive and Silicone sealant

E Install Batteries

F Installation with Adhesive Backing (no screws)



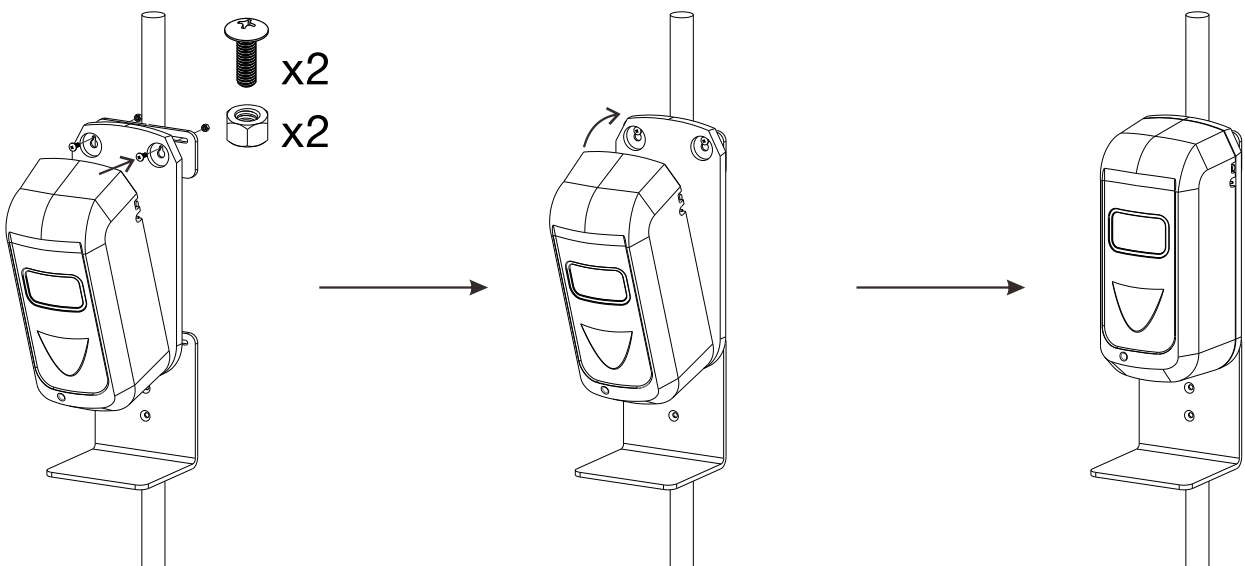
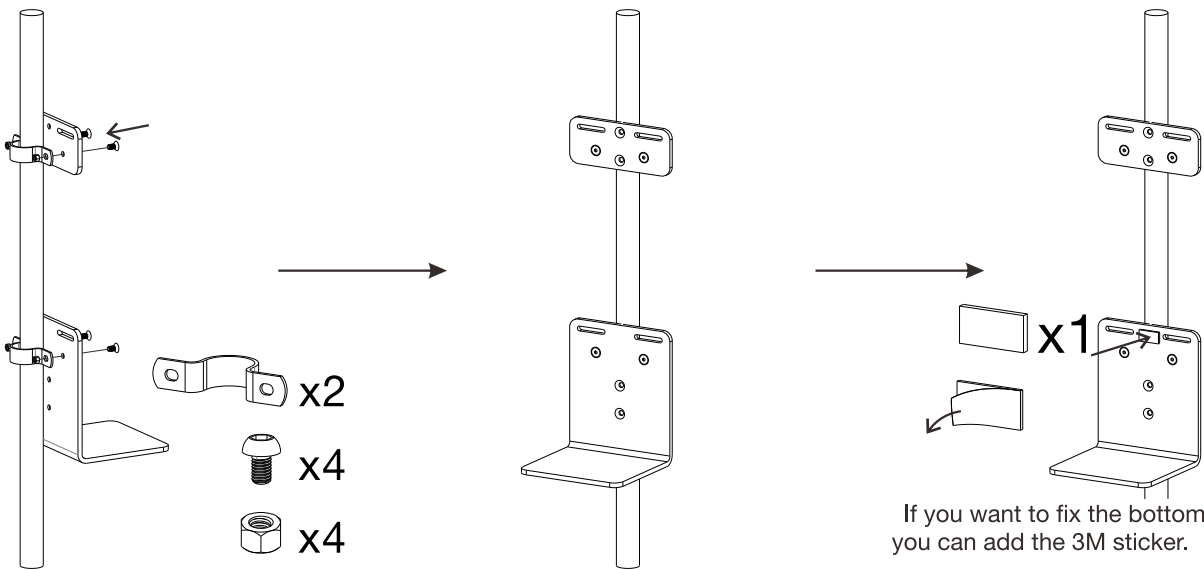
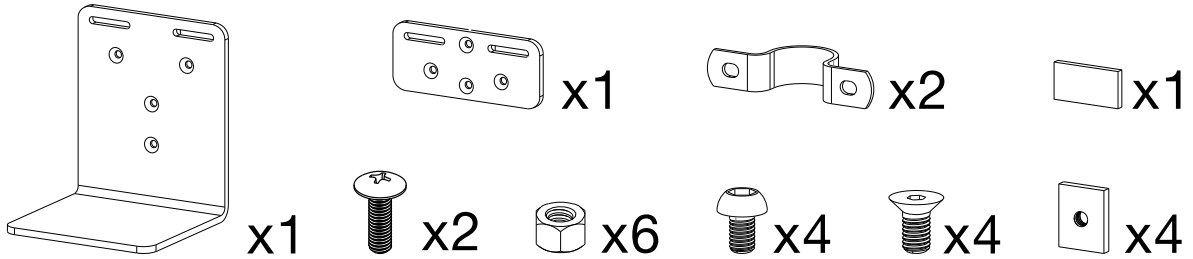


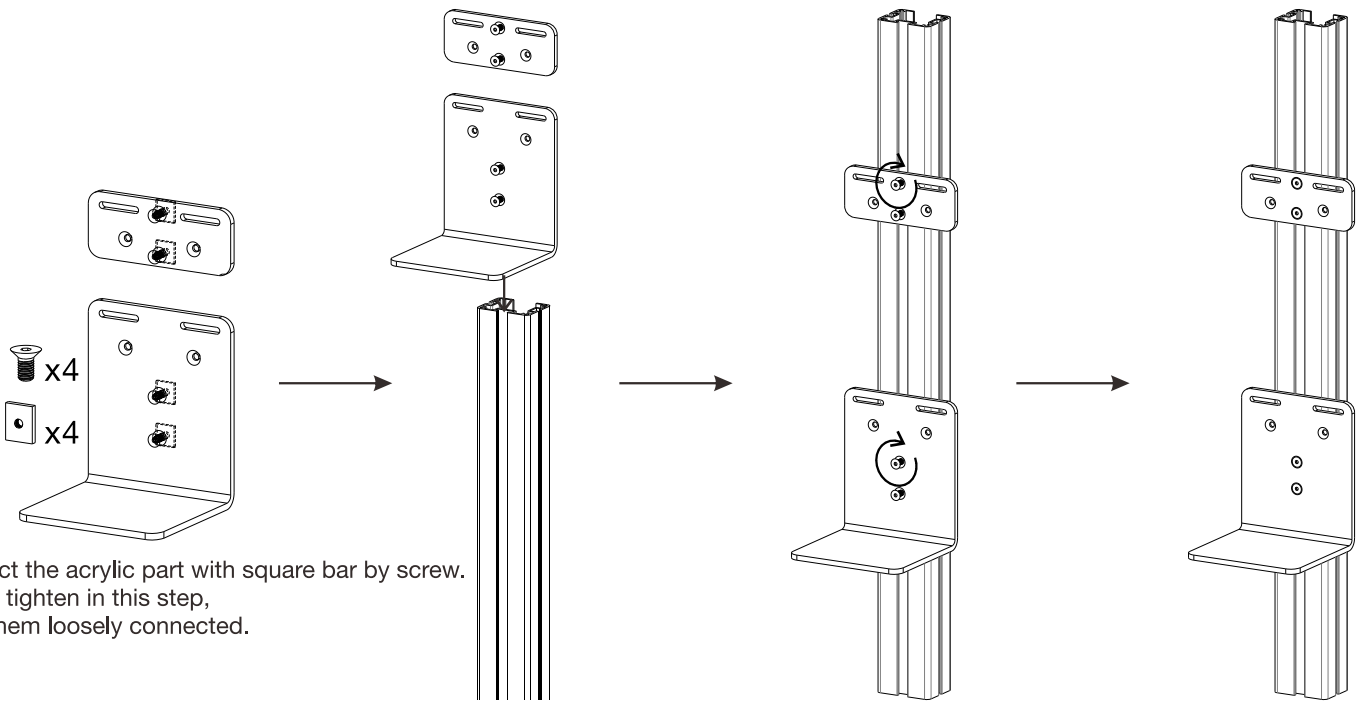
Universal Acrylic Soap Dispenser Holder

INSTRUCTION MANUAL

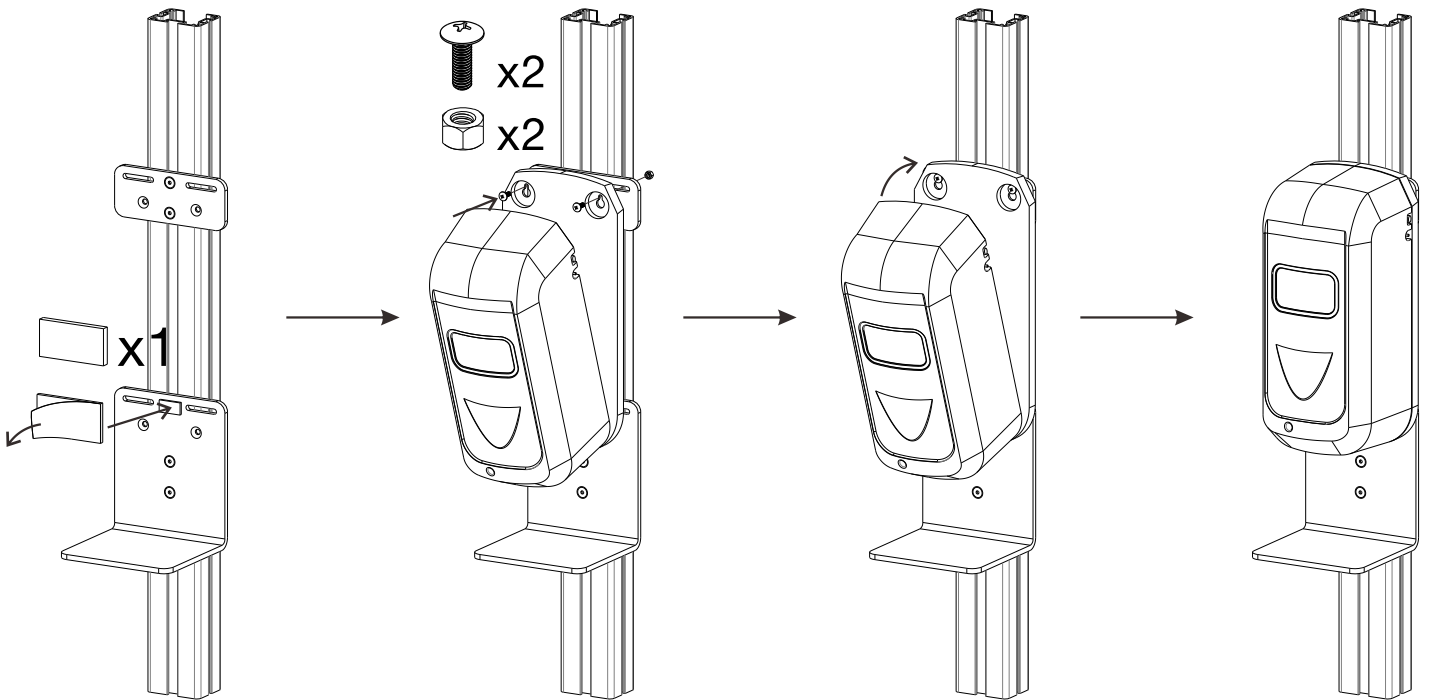
ADD-ASDH

Component Checklist





Connect the acrylic part with square bar by screw.
Do not tighten in this step,
keep them loosely connected.



If you want to fix the bottom as well,
you can add the 3M sticker.