



iPad Air
 iPad Air 2
 iPad Pro 9.7
 iPad Gen. 5 (2017)
 iPad Gen. 6 (2018)



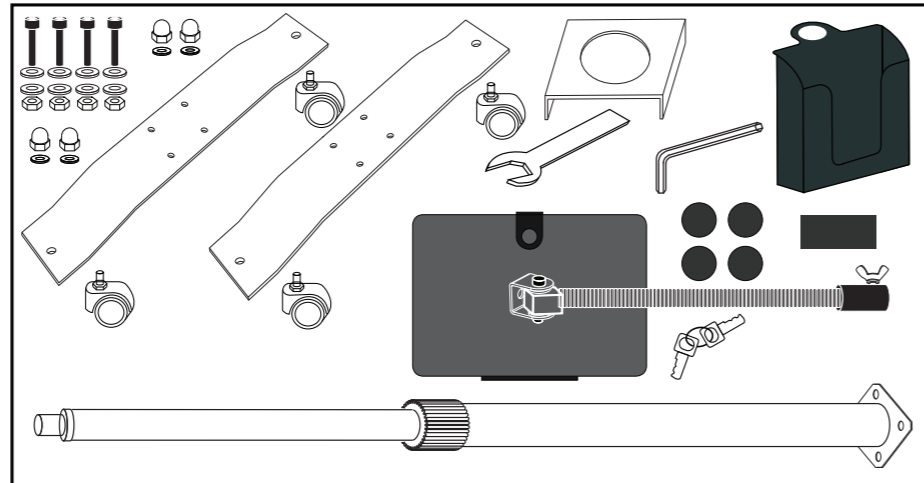
CTADIGITAL

PAD-SCGS9

Compact Security Gooseneck Floor Stand for iPad 9.7" INSTRUCTION MANUAL

**Note - Hinges may get looser and droop over time. Please tighten screws for optimum usage and efficiency.

Package contents:



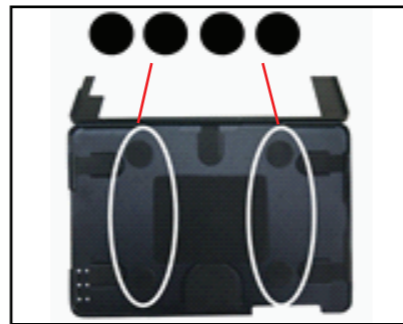
Instructions:

1. Attaching EVA Pads to Tablet Enclosure



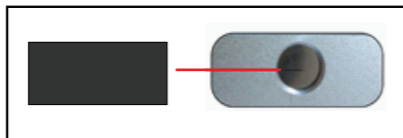
Use keys to open and lock tablet enclosure. Clockwise for locking, counter-clockwise for unlocking.

For iPad Air 2 and iPad Pro 9.7, label with the included adhesive EVA pads inside case for a snug fit as the following:



For iPad Air and iPad 9.7 Gen 5, use the casing holder directly.

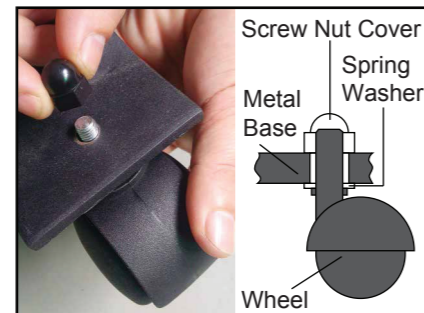
Attach included metal home button cover if desired.



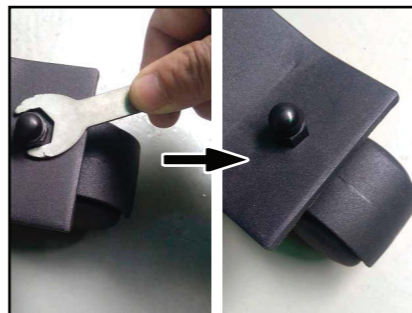
2. Installing the Wheels



Place a spring washer over the screw bolt on the wheel.

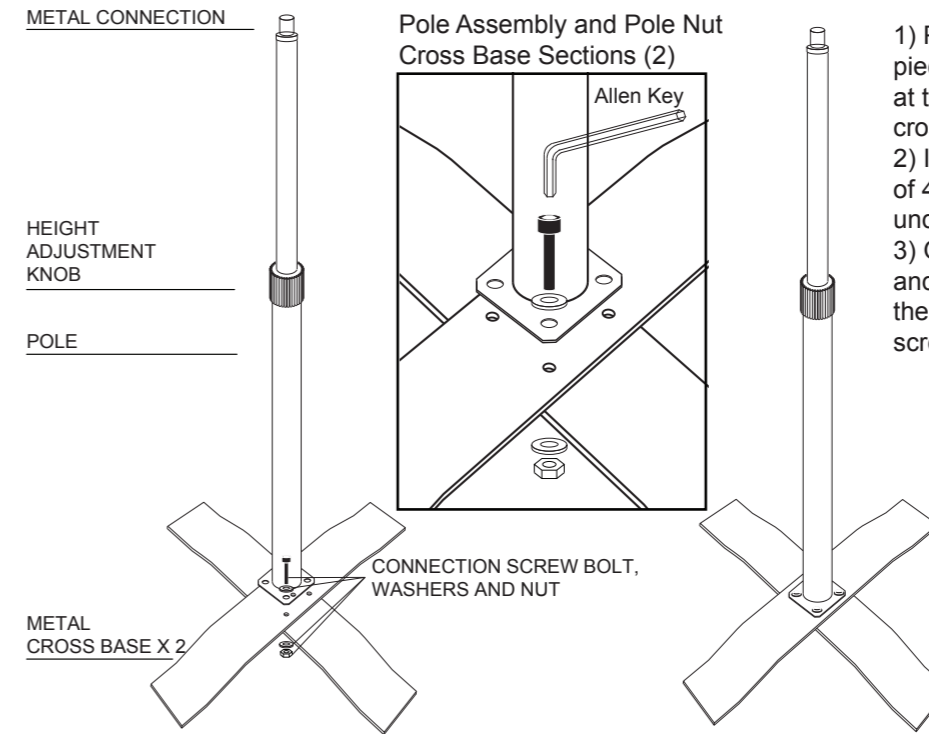


Place the screw bolt from each wheel through the metal base, then place a nut cover over the top of each. Screw down clockwise by hand, then use wrench to tighten further.

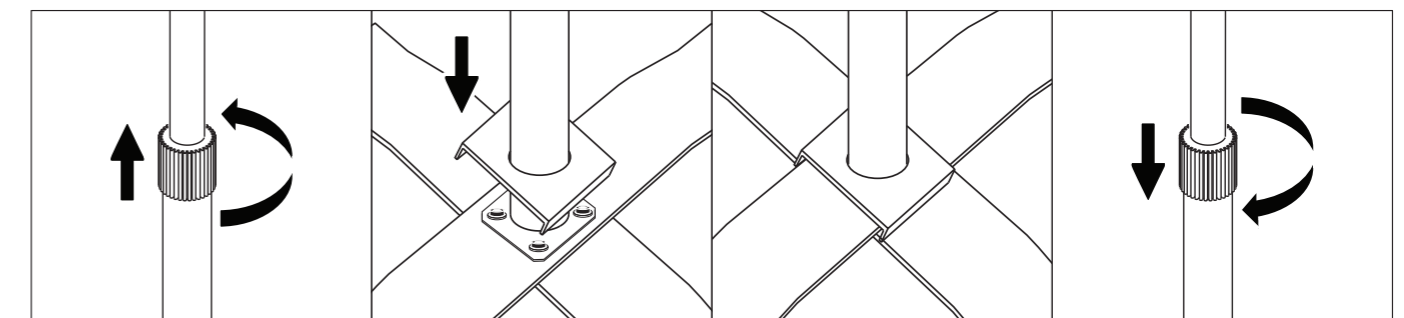


SUPPORT@CTADIGITAL.COM

3. Base Assembly and Connecting the Metal Cover:

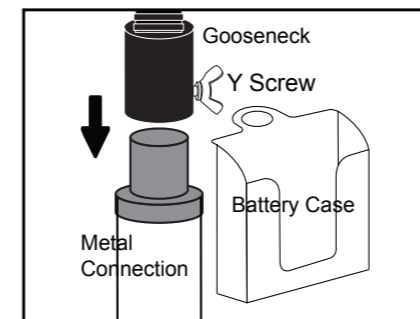


- 1) Place the metal base pieces with the higher piece on top of the cross base. Align the holes at the bottom of the pole with the holes on the cross base.
- 2) Insert a screw bolt with a washer into each of 4 holes. Place another washer on the underside of each screw bolts.
- 3) Grip the nut on the underside with one hand, and use the other to tighten each screw with the Allen key. Repeat to tighten all four screw bolts.

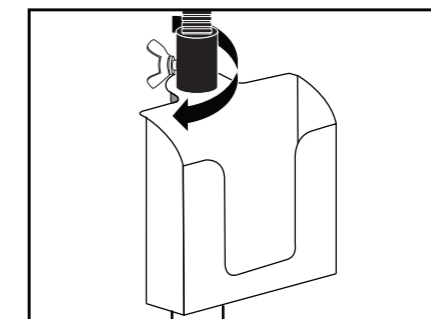


4. Rotate the grip counter clockwise to loosen completely and remove from top of pole.
5. Place the square metal cover over the top of the pole and slide down to stand base.
6. Place grip back over stand pole and tighten.

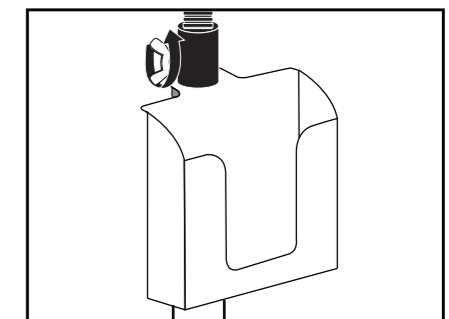
4. Connecting the Tablet gooseneck holder & Battery Case



1. Place battery case over top of metal connection.
Note: if Y screw is already in, unscrew before attaching gooseneck.

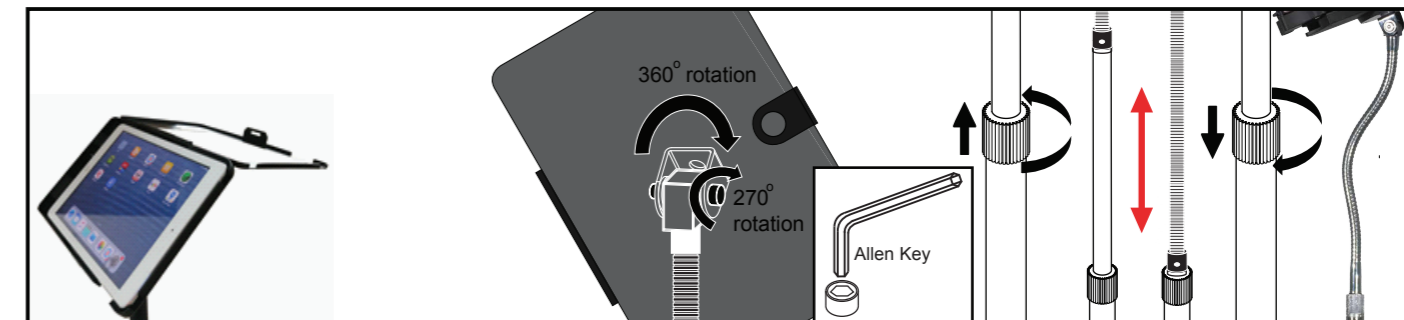


2. Screw the gooseneck onto the metal connection of the pole by turning clockwise. Be sure that the battery case is on the opposite side of the pole as the Y screw.



3. Turn the Y screw clockwise to tighten the connection.

5. Installing your Device and Adjusting the Floor Stand:



1. Unlock the enclosure, insert tablet, attach charge cable, then thread charge cable through the cutout at the rear of the tablet. Close and lock the enclosure.
2. Use included Allen key to tighten and loosen the gooseneck to holder connection screw to adjust ease of rotation.
3. Rotate plastic grip to adjust pole to desired height. Flex the gooseneck freely to adjust your favorite view angle.

SUPPORT@CTADIGITAL.COM