



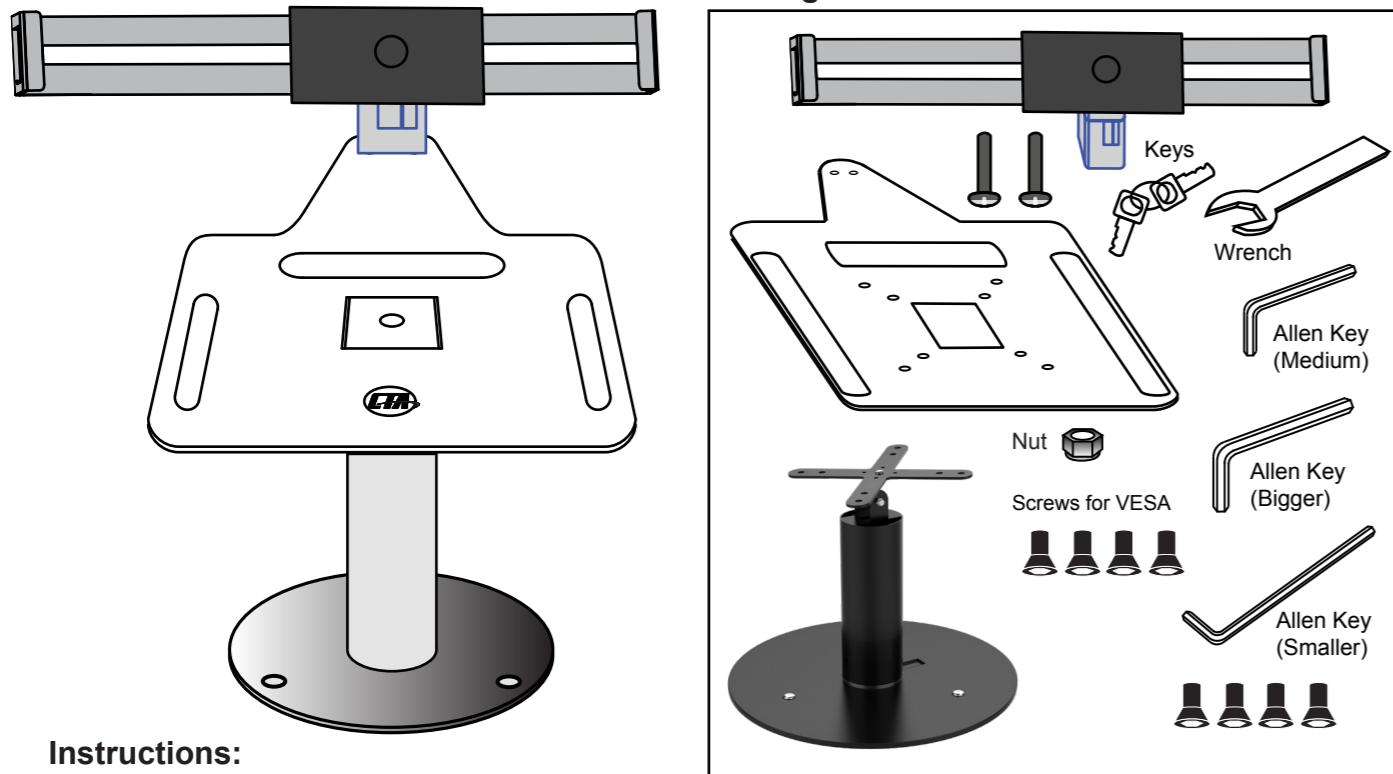
# PAD-SAM

## Laptop Security Arm with Heavy-Duty Base Stand

### INSTRUCTION MANUAL

Thank you for choosing CTA Digital's product. We hope that you will enjoy using it. Please follow the guidelines and instructions as laid out in this instruction manual.

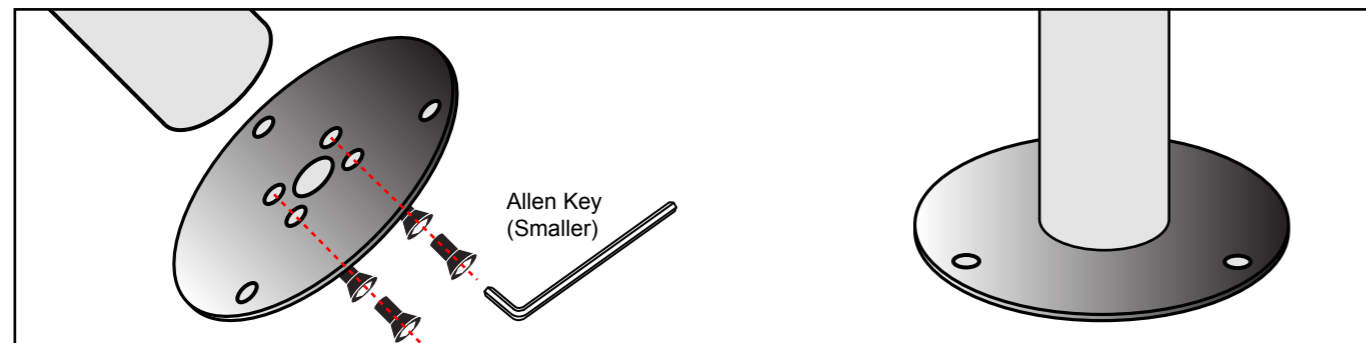
#### Package Contents:



#### Instructions:

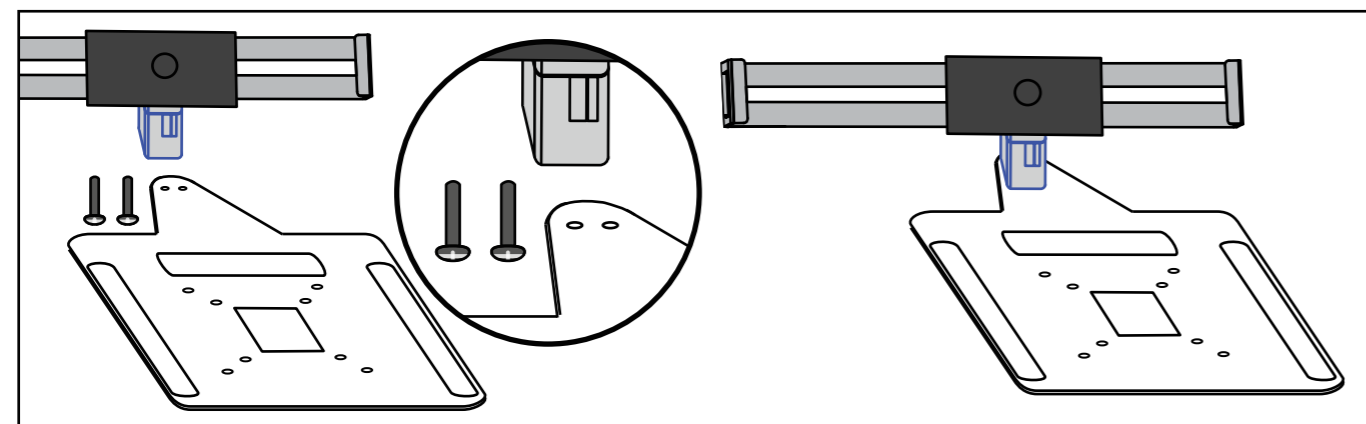
### 1. Connecting the Pole to the Base

Take the base plate of the kiosk, and align the holes. Then using the provided allen key tool, screw in the screws until securely tightened



### 2. Connecting the Holder to the Laptop Plate Base

Take the laptop holder and align the holes on the bottom of the middle joint to the holes on laptop plate as shown. Using the provided tool, screw in the screws from below into the bottom of the laptop holder joint until securely tightened.

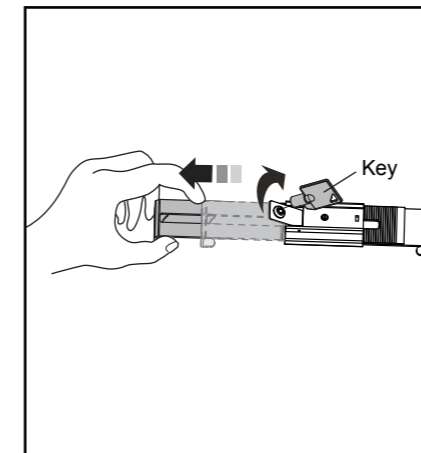


### 3. Connect the Laptop Holder Plate Base to VESA

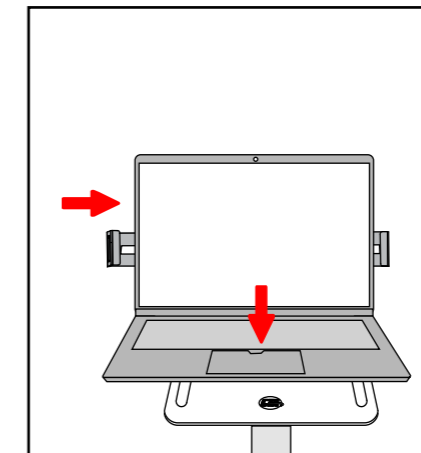
Take the laptop holder plate base and align the VESA holes with the VESA adapter. Screw in the screws from above using the provided tool while holding the hex nuts from behind the VESA adaptor with your fingers. Screw in one at a time until firmly secured.



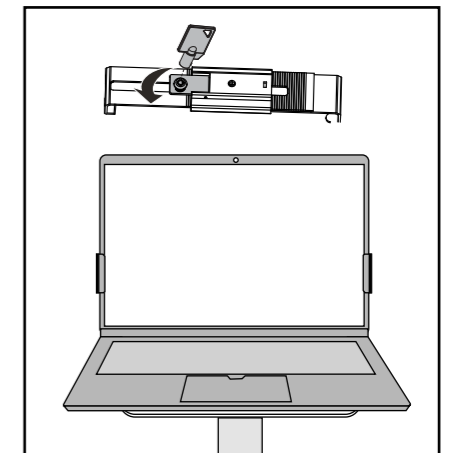
### 4. Installing your Laptop to the Holder Plate Base



Unlock the holder with the key, and pull out the lock component to allow the holder to adjust.

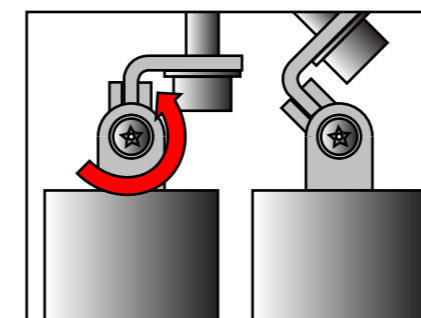


Extend/Retract the holder to fit the laptop as shown.

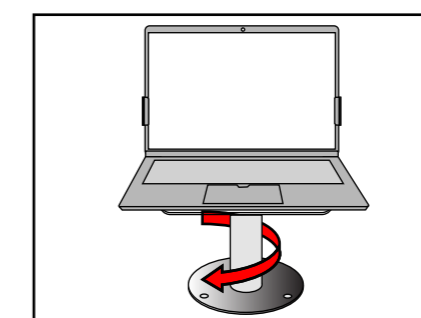


Once the laptop holder is secure, push the lock component back in, and rotate and lock the holder on the back.

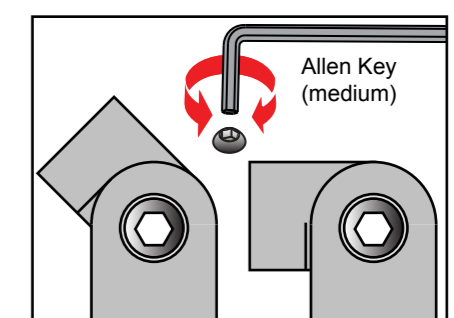
### 5. Adjusting Joints



Tilt the stand joint to adjust laptop holder plate for desired angles.



Rotate the body to swivel to desired orientations for user preference.



Using the provided allen key tool, loosen the hinge of the laptop holder to tilt the screen to desired angles. Re-tighten securely to firmly hold the angle and holder in place.