



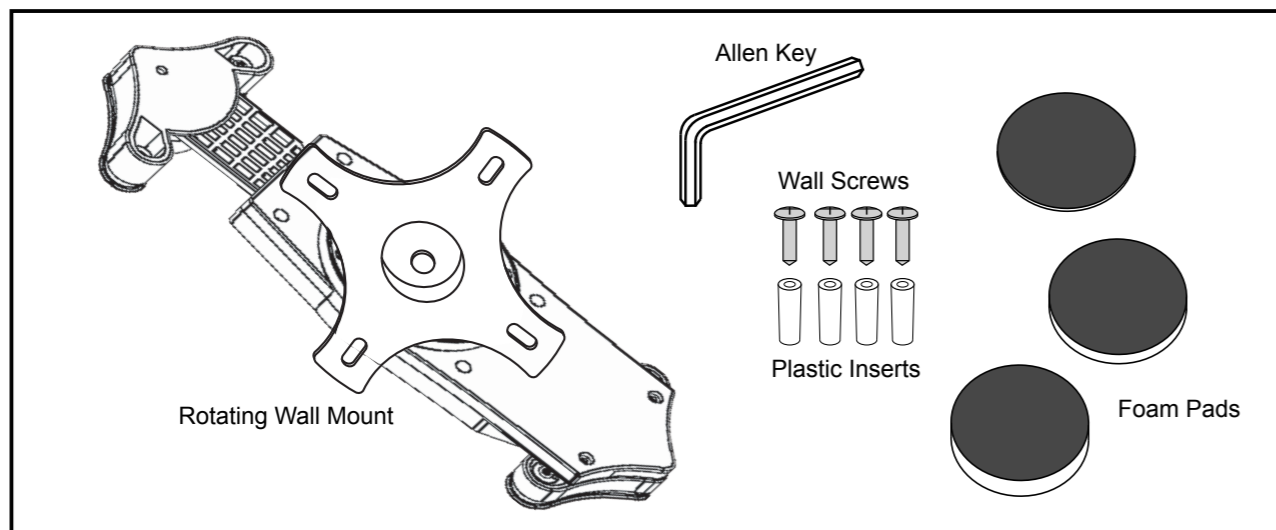
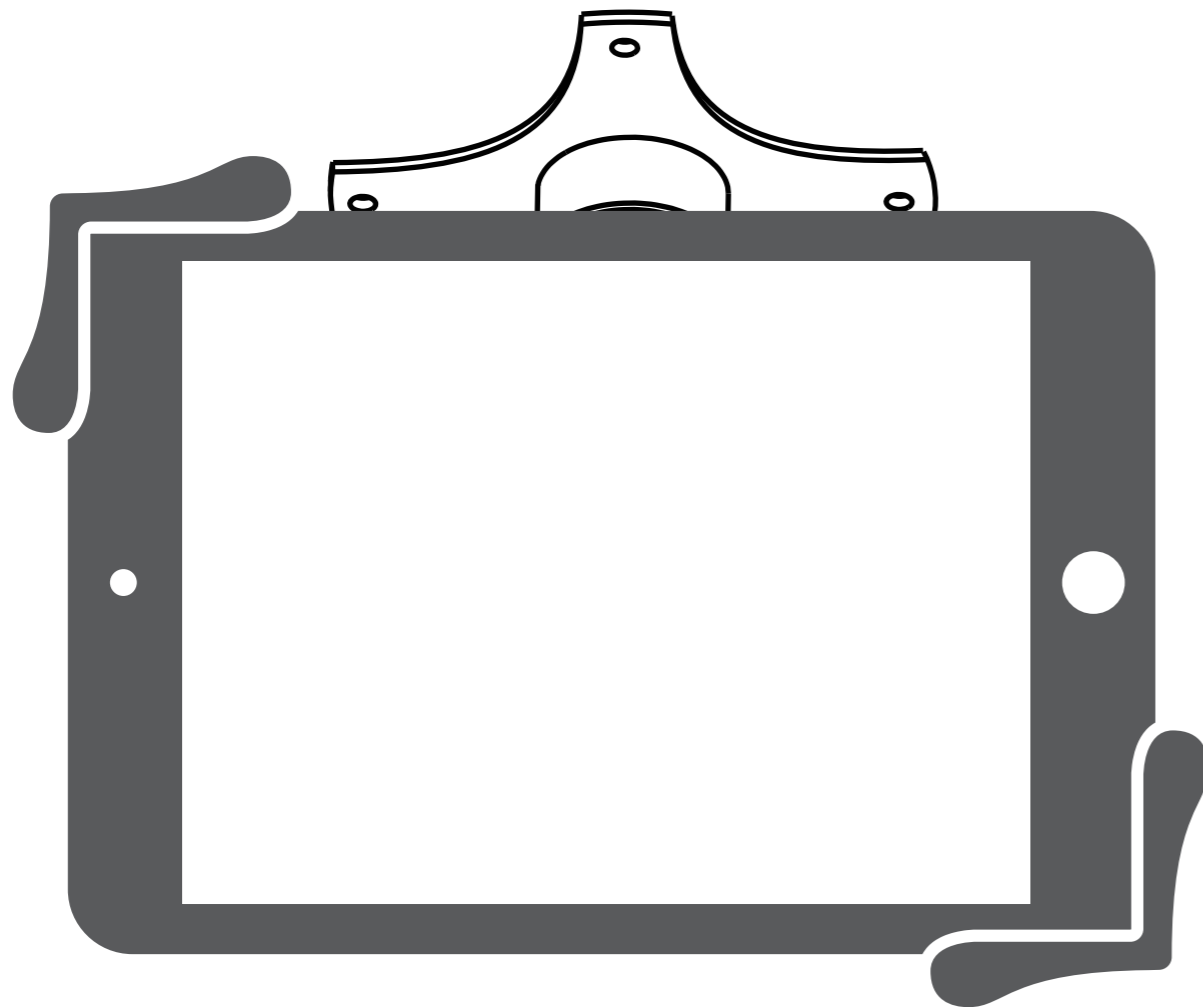
PAD-RWM

CTA DIGITAL

Rotating Wall Mount for 7-13 Inch Tablets

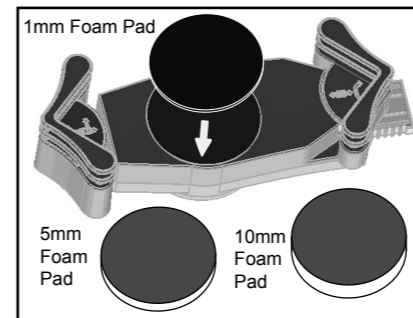
INSTRUCTION MANUAL

Thank you for choosing CTA Digital's product. We hope that you will enjoy using it. Please follow the guidelines and instructions as laid out in this instruction manual.



Instructions:

1. Attaching Foam Pad to Tablet Holder



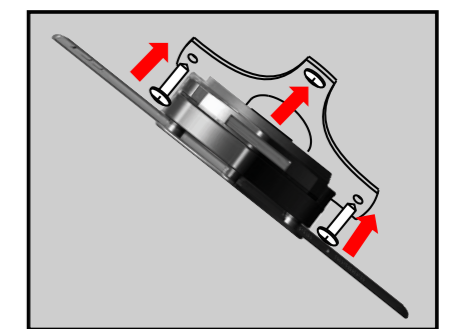
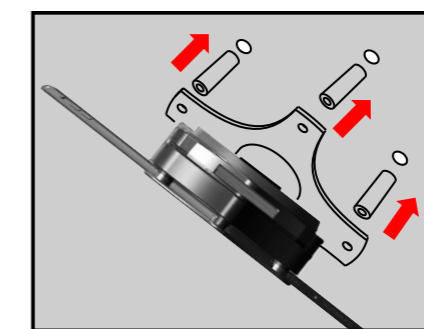
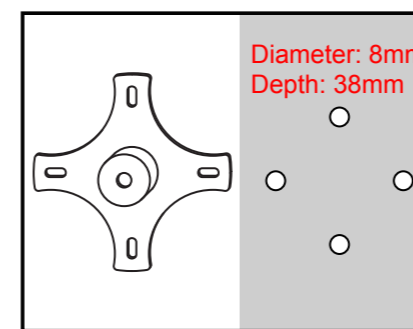
Use this table to determine the appropriate foam pad to use with your tablet.

Note: sizes refer to total tablet size with or without a case.

Foam Pad Thickness	Tablet Thickness:
1mm	0.67-1.06in / 17-27mm
5mm	0.51-0.91in / 13-23mm
10mm	0.31-0.71in / 8-18mm

Select the appropriate foam pad according to the thickness of your tablet (or tablet in its case), then press adhesive side into center of the tablet holder.

2. Installing the Wall Mount to the Wall

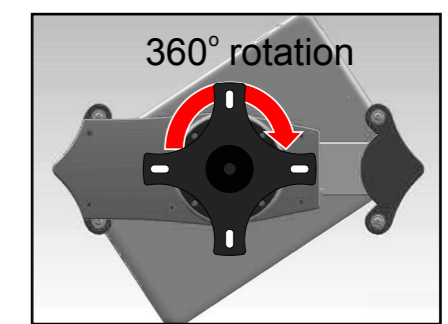
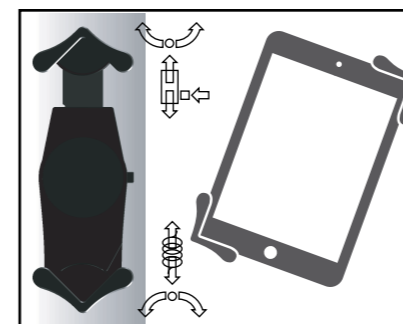


1. Make 4 holes on the wall according to the holes position on the "X" Metal Plate of the Wall Mount.

Insert the plastic insert into the hole align the holes on both "X" metal plate and the wall.

Screw up the screws one by one to connect the Wall Mount to the Wall.

3. Installing your Device and Adjusting the Tablet holder



Press button on side of tablet holder to slide open. Insert your tablet against spring arm, then slide other end back down.

Rotate your tablet and holder 360 degree freely to get the favorite view angle.