

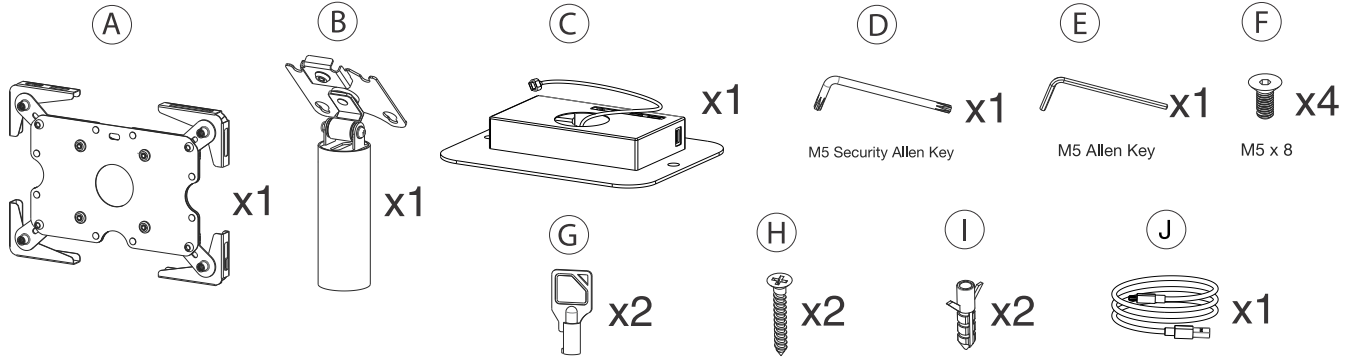


Quick Release Kiosk with 4 USB 3.0 Hubs (White)

PAD-QRUSBKW

INSTRUCTION - MANUAL

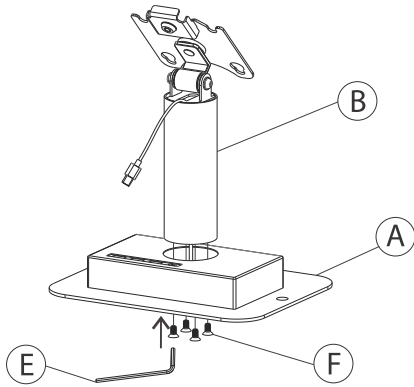
CONTENTS:



INSTALLATION:

1 Attaching Base to Body

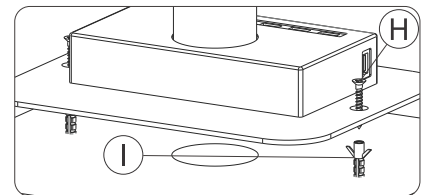
1A: Take the already attached cord, and fish it through the bottom into the body center and out the top as shown. Then, align the base center hole to the bottom of the body hole. Make sure the screw holes are aligned. Then using (4) screws (F), rotate them in from below as illustrated using provided tool (E) until securely fastened.



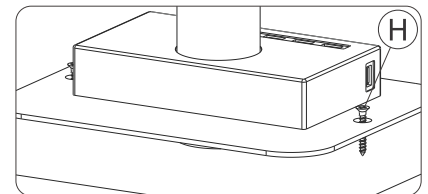
2 Mounting into Surface

2A: If you choose to mount your kiosk into the surface, then first choose the location you wish to mount your kiosk to. If mounting into some sort of wood or drywall material, you can mount directly with just the screws (H) only. If you're mounting into a hard surface of some form, then it be recommended to use anchors (I) and screws (H) and predrill the hole before using the screws. Either way, make sure to use a powerdrill (not included) and rotate in securely.

Using Anchors



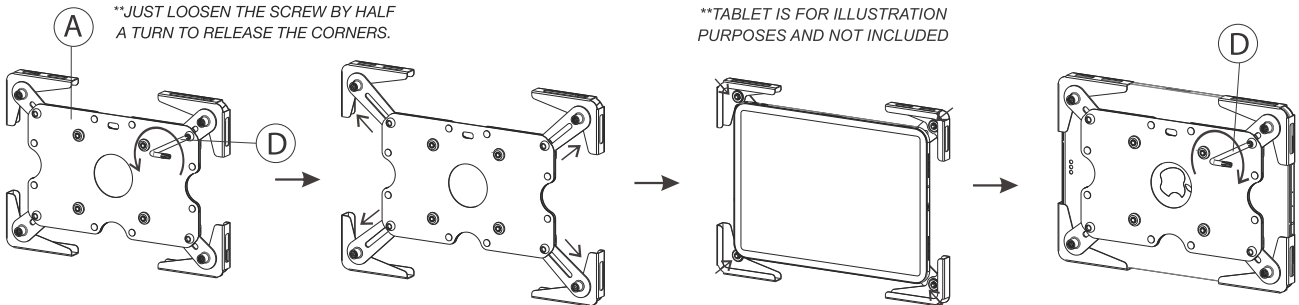
Not Using Anchors



3 Setting up Holder and Tablet

**JUST LOOSEN THE SCREW BY HALF A TURN TO RELEASE THE CORNERS.

**TABLET IS FOR ILLUSTRATION PURPOSES AND NOT INCLUDED



3A: Begin inserting your tablet device into the holder by loosening the holder corner arms. Find the screw on the body (A) as illustrated and loosen all (4) with provided special allen key tool (D).

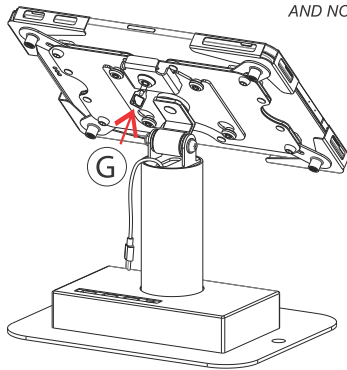
3B: Extend the arms outwards as far as the range can go.

3C: Insert your tablet (not included), then retract all (4) arms onto the corners of the tablet as illustrated above.

3D: While all the arms are tightly and secured on the tablet edge corners, go back to the backside and using special allen key tool (D) rotate the opposite direction for all (4) screws until securely tightened.

4 Unlocking Holder

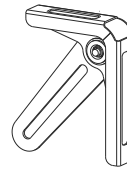
****TABLET IS FOR ILLUSTRATION PURPOSES AND NOT INCLUDED**



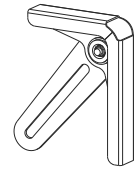
4A: Take the keys (G) and insert into security lock and rotate. If a button pops out, when you remove the key, then you know the holder is in unlocked position. To lock the holder, you simply press down the security button until it clicks and then you'll know it's locked.

5 Swapping Out Different Corner Arms (optional)

Exposed Corner

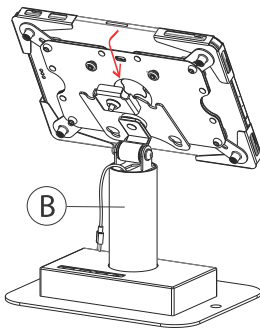


Solid Corner



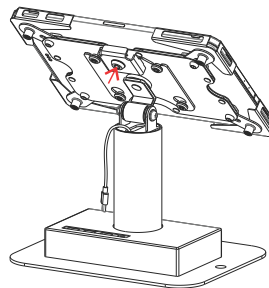
5A : You can switch out your corner arms from exposed to solid or vice versa as illustrated above. Exposed corners allow you to have the volume buttons to not be as covered.

6 Assembling Tablet Holder with Kiosk Body



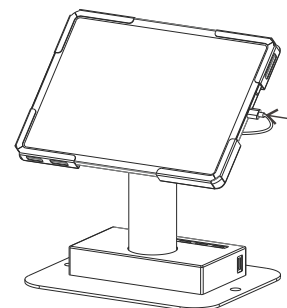
6A: Take the now attached holder and tablet, and slide it from above to attach to the body adapter (B).

****TABLET IS FOR ILLUSTRATION PURPOSES AND NOT INCLUDED**



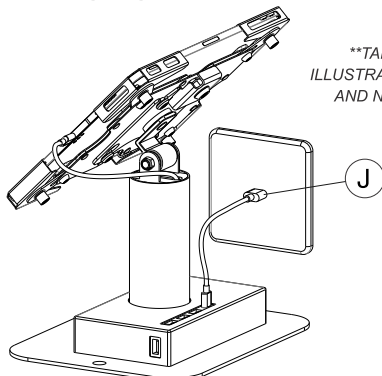
6B: Press down on the lock button to lock everything in place as illustrated above.

****TABLET IS FOR ILLUSTRATION PURPOSES AND NOT INCLUDED**



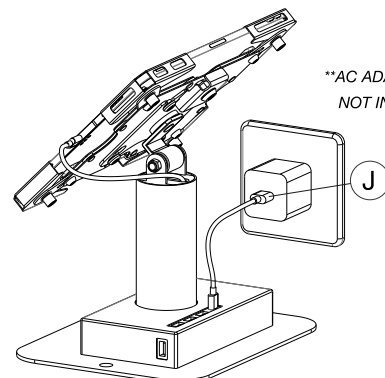
6C: Take the wire and connect it to the tablet. Proper charging will not commence if you don't attach this wire.

7 Accessing the USB Hub & Charging the Kiosk



****TABLET IS FOR ILLUSTRATION PURPOSES AND NOT INCLUDED**

7A: Identify the charging hub at the base. Make sure to use plug in a charging plug into the Type-C charging port in order for your tablet to charge properly. Also double check that the wire above is plugged in properly to your tablet as well.



****AC ADAPTER WAS NOT INCLUDED.**

7B: You also can charge with an AC adapter(not included) on the wall outlet.