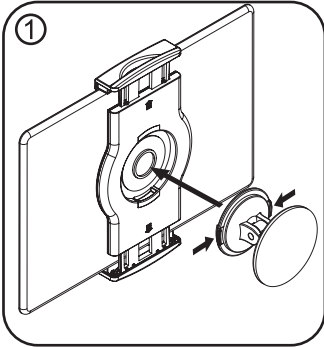




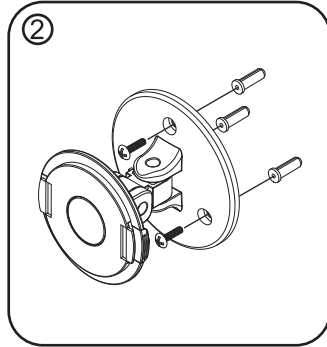
PAD-QCWDM

Using the Wall Mount Bases

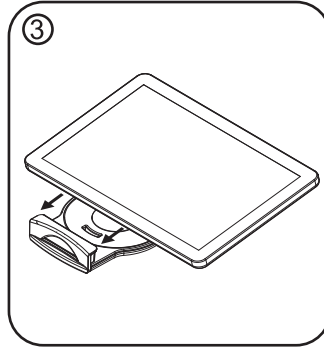
Caution: Please ensure that tablet is securely fixed in



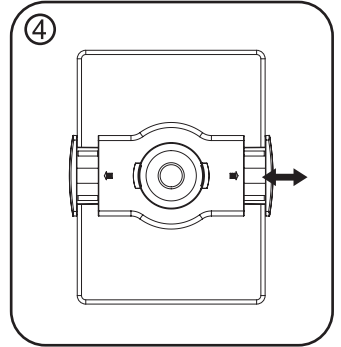
1 Squeeze buttons on inner circle, then remove tablet bracket from base.



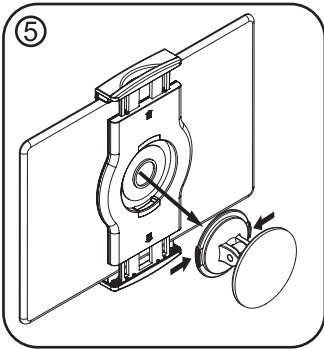
2 Mount base to wall with included hardware.



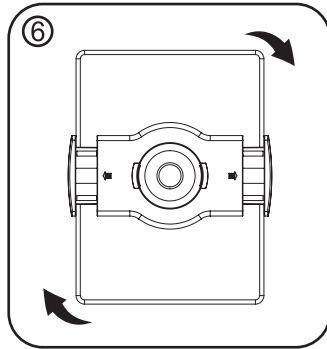
3 Place tablet against one end of bracket.



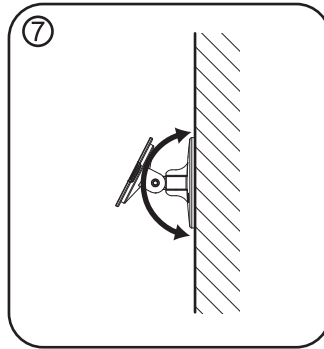
4 Pull the opposite bracket out, then release to secure tablet.



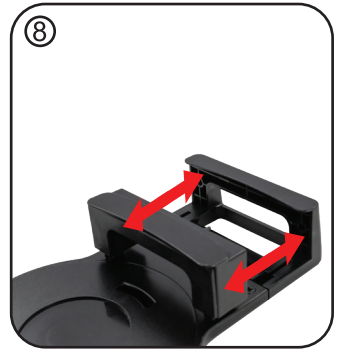
5 Squeeze headpiece buttons then attach tablet bracket. Release buttons to connect.



6 Rotate for portrait & landscape displays

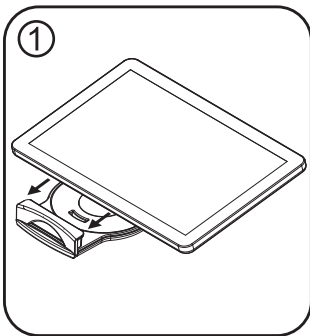


7 Tilt for optimal viewing angle

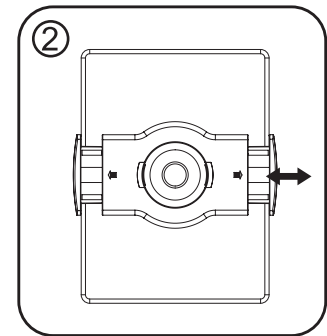


8 Attach or remove tablet fitting accessories on both sides for optimum tablet fitting

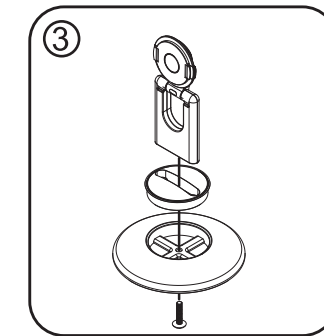
Using the Tabletop Stand



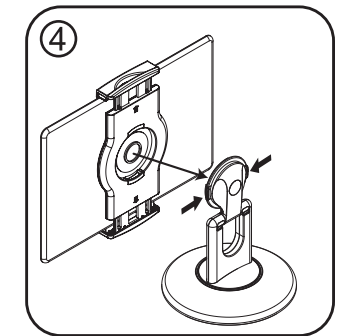
1 Place tablet against one end of bracket.



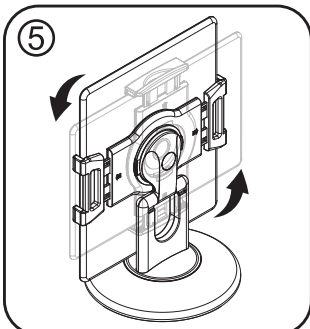
2 Pull the opposite bracket out, then release to secure tablet.



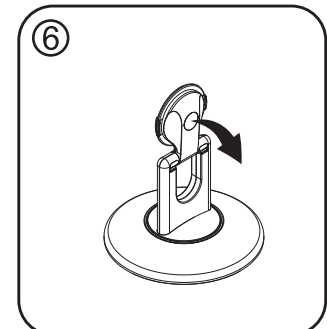
3 Push screw through underside. Attach circle insert and neck. Use screwdriver to tighten.



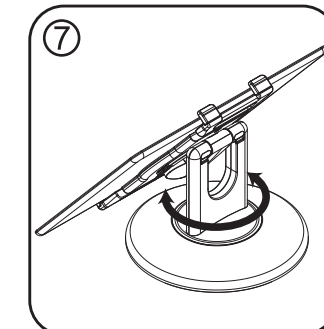
4 Squeeze headpiece buttons then attach tablet bracket. Release buttons to connect



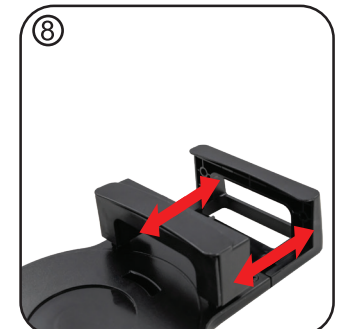
5 Rotate for portrait & landscape displays



6 Use tilting headpiece for angle adjustment



7 Stand base rotates 360 degrees



8 Attach or remove tablet fitting accessories on both sides for optimum tablet fitting