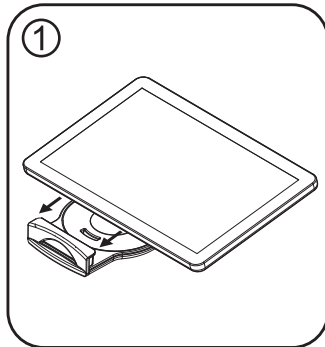




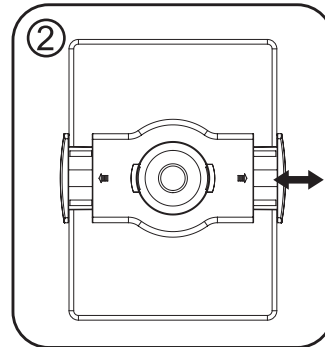
# Quick Connect Dual-Tablet Mount with Height-Adjustable Arms

PAD-QC2M

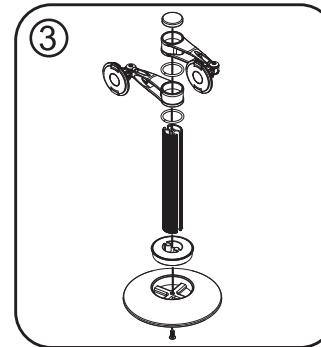
## Instructions:



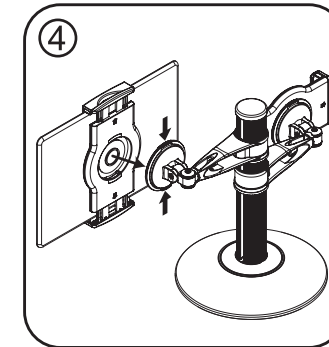
Place tablet on bracket.



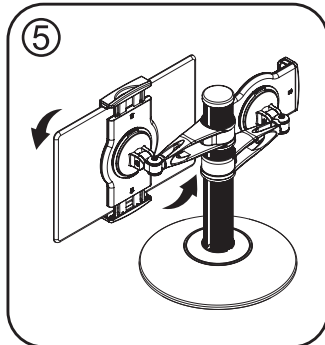
Pull bracket arms open until tablet fits securely.



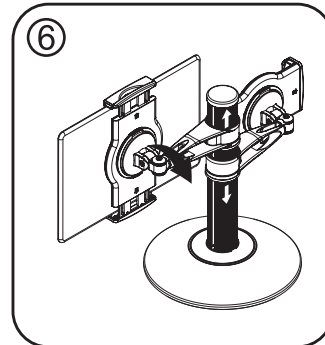
Attach rubber o-rings below mounting-arms.



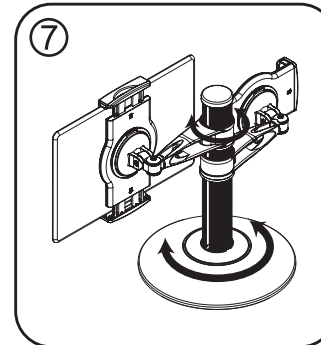
Squeeze buttons on either side of attachment arm, attach bracket and rotate until you hear a click.



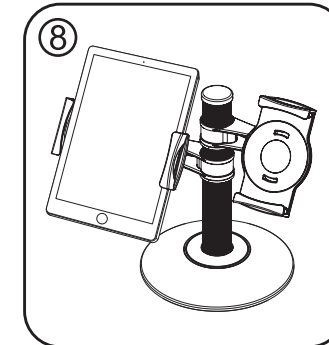
Tablet can safely be rotated 360 degrees.



Tablet can also be adjusted horizontally.



Mount shaft rotates 360 degrees.



A comfortable tablet user is a happy tablet user.