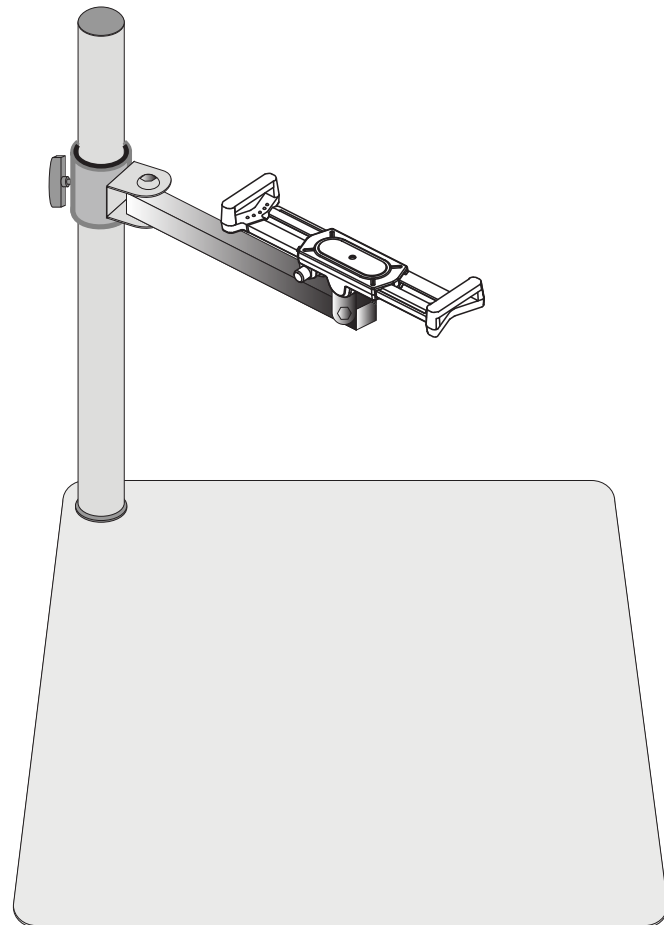


CTA DIGITAL

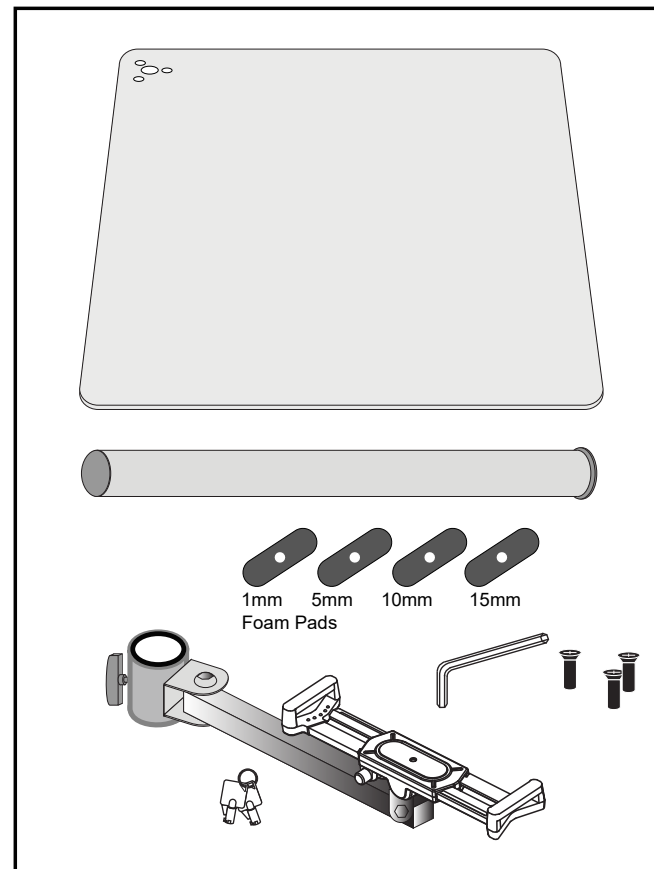
PAD-PPMS

Portable Projector Stage and Photo Studio Security Mount for 7-14 Inch Tablets INSTRUCTION MANUAL

Thank you for choosing CTA Digital's product. We hope that you will enjoy using it. Please follow the guidelines and instructions as laid out in this instruction manual.

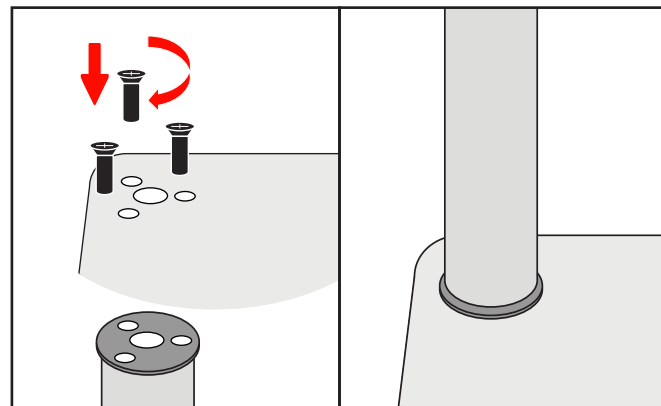


Package Contents:

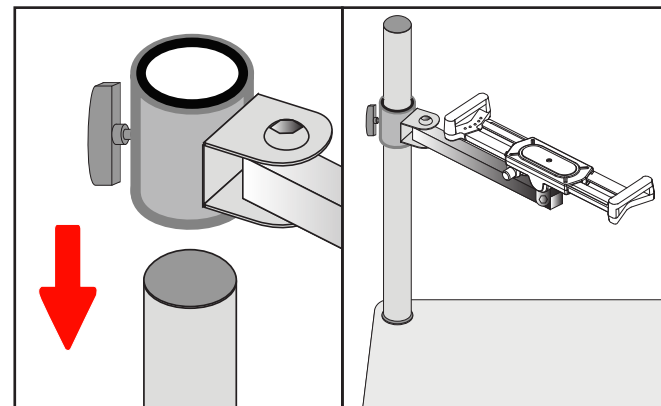


Instructions:

1. Connecting the Portable Projector Stage and Photo Studio Security Mount:

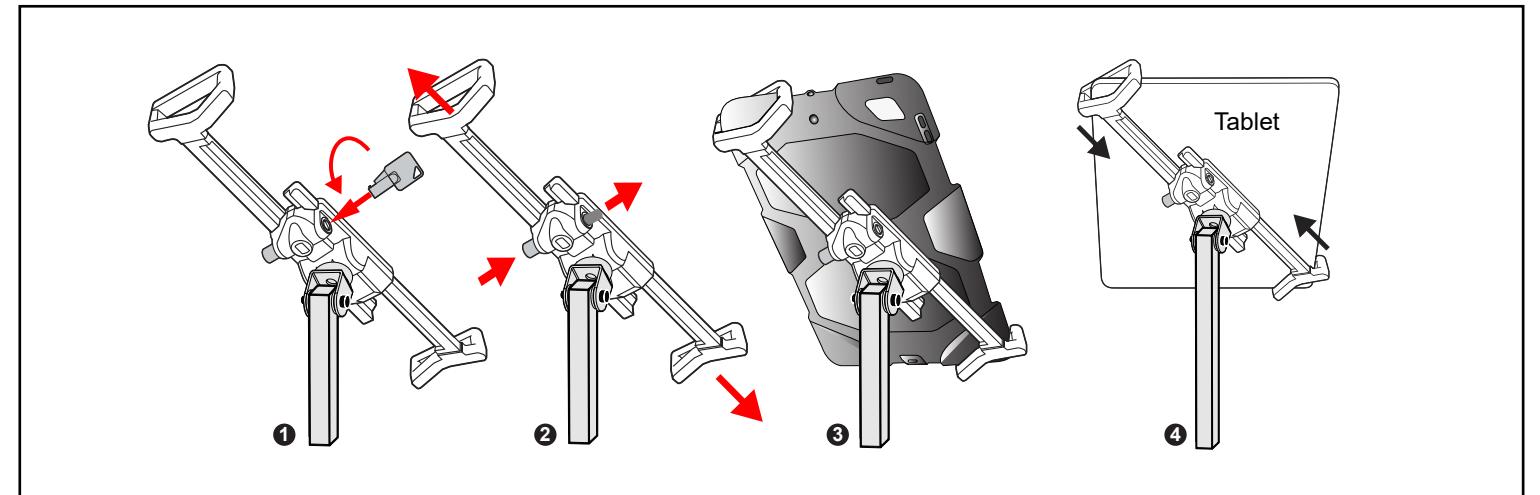


Align the holes on both the pole and plate and then screw up them together securely from the bottom side.



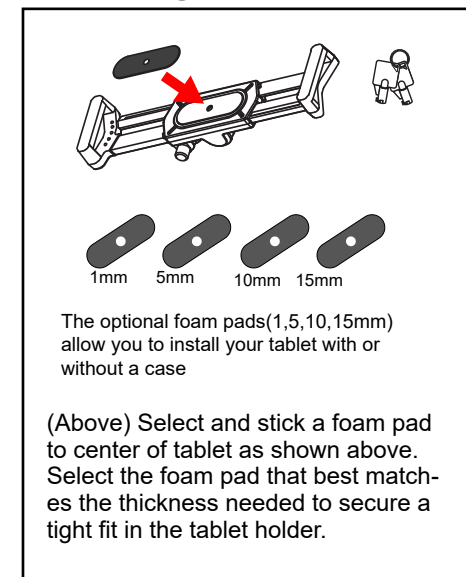
Go through the ring of the Arm and Holder unit to the pole, put it at your favorite height then turn the handle rod to tighten it.
Note: if the handle rod of the ring is already in to much, unscrew before going through to the pole.

2. Installing your Device:



(Above) 1. Insert key into lock at the back of holder and turn counterclockwise and remove key. 2. Lock button will pop up and then press main button to flex tablet holder. 3. Insert tablet and slide holder together to grip tablet at corners. 4. Press down lock button to lock tablet holder in position.

3. Selecting a foam:



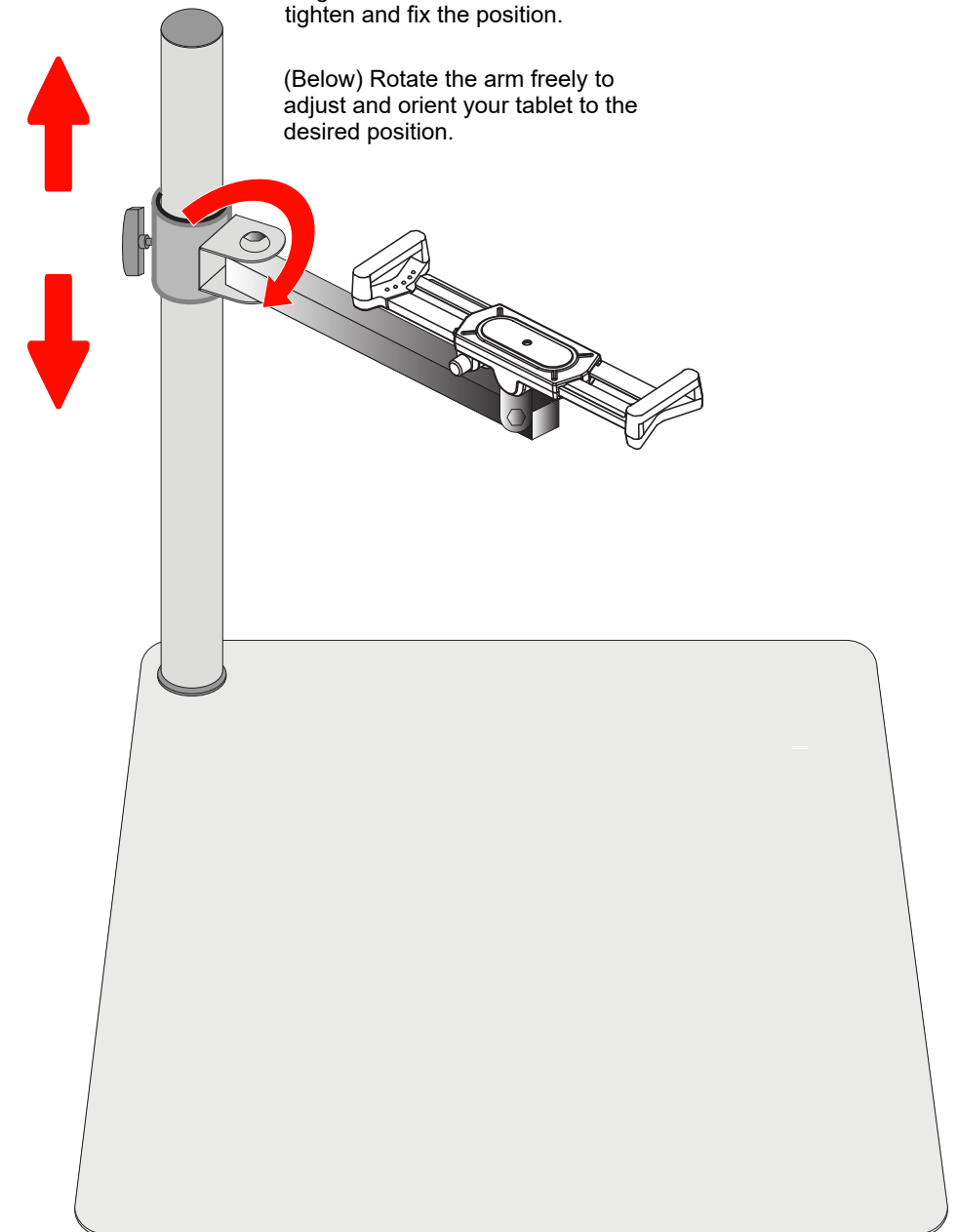
The optional foam pads (1, 5, 10, 15mm) allow you to install your tablet with or without a case

(Above) Select and stick a foam pad to center of tablet as shown above. Select the foam pad that best matches the thickness needed to secure a tight fit in the tablet holder.

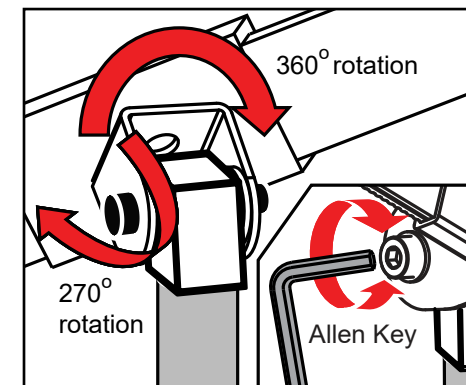
4. Adjusting the height:

(Left) Rotate the handle rod knob counter clockwise to loosen. Adjust the arm and holder unit to desired height. Rotate the knob clockwise to tighten and fix the position.

(Below) Rotate the arm freely to adjust and orient your tablet to the desired position.



5. Back Joint Adjusting:



(Above) Use Allen key tool to adjust tension at point of connection between the tablet holder and arm. Rotate the holder to adjust the view angle according to your needs.