



Protective Case with Built-In 360 Degree Rotatable Grip Kickstand & Pen Slot

For Samsung Galaxy Tab A7

PAD-PCGKA7

INSTRUCTION - MANUAL



Features



Impact case to protect your iPad.

360° Rotation

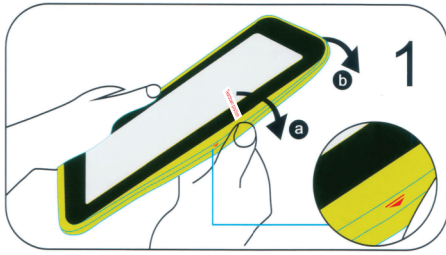
Adjustable strap

Foldable stand

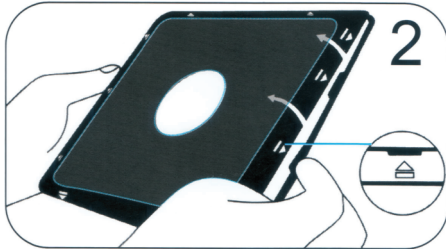
Latch designed to provide maximum safety

Installations

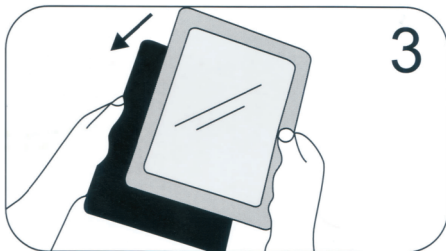
If your iPad has a previously installed screen protector, please remove it before continuing.



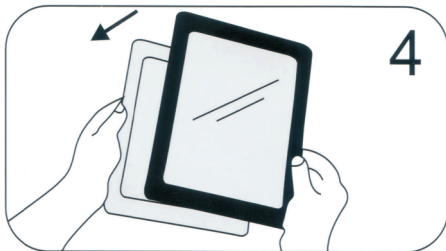
1 Remove the external silicone sleeve by peeling it away from the internal hard case.



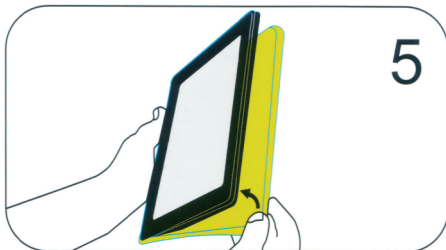
2 Gently apply pressure to the small clips (as indicated by the arrows) and unclip all four sides. Once all the sides are unclipped, the internal hard case will open.



3 Insert the iPad into the rear cover.

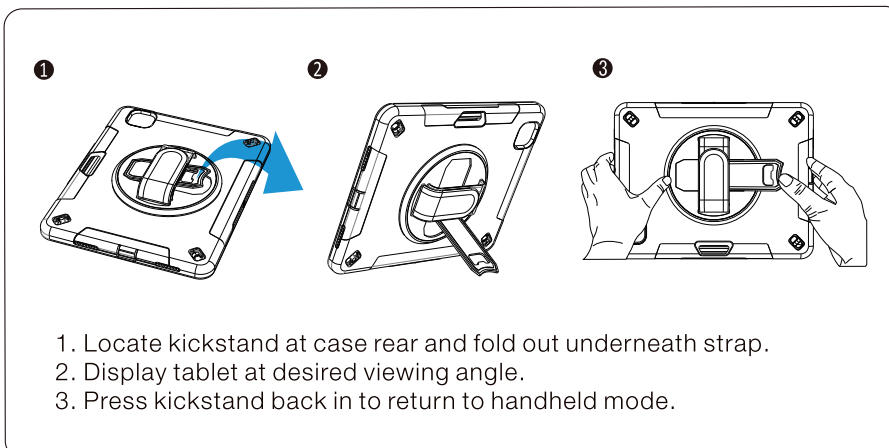


4 Once the iPad is inside the rear cover, place the internal front cover on top and gently clip all four sides into position.



5 Reinstall the external silicone rubber sleeve.

Using the stand



1. Locate kickstand at case rear and fold out underneath strap.
2. Display tablet at desired viewing angle.
3. Press kickstand back in to return to handheld mode.