

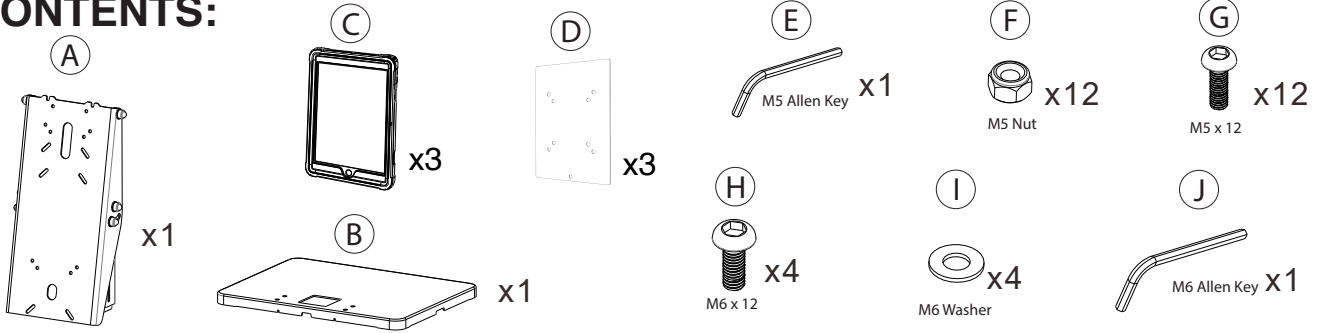


Multi-Screen Flexible Desk Mount Kiosk w/ Quick Release

PAD-PARAMULTI3

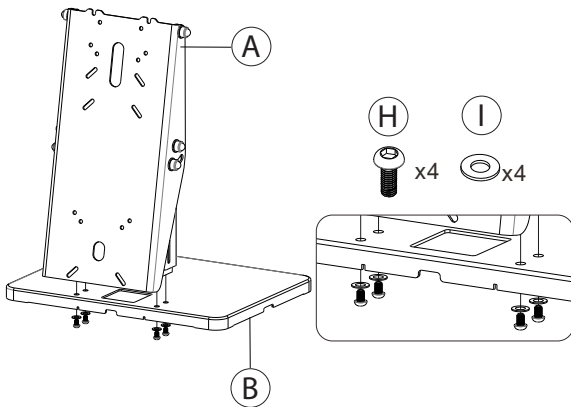
INSTRUCTION - MANUAL

CONTENTS:



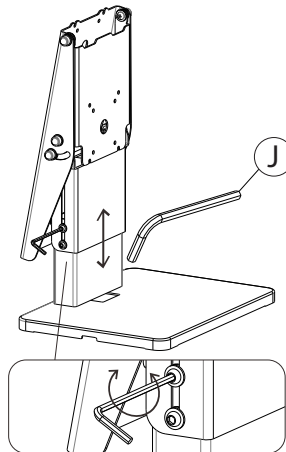
INSTALLATION:

1. Setting up Base to Body :



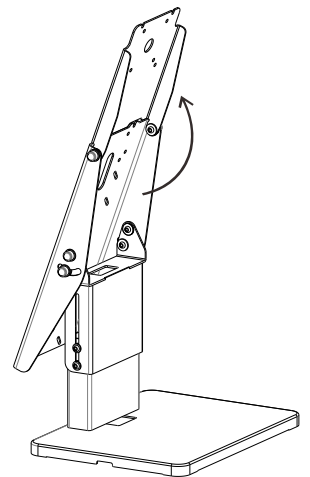
1A. Align base (B) to body (A) as shown. From below, rotate in (4) screws (H) and washers (I) as shown using provided tool (J) until securely tightened.

2. Adjusting Height :



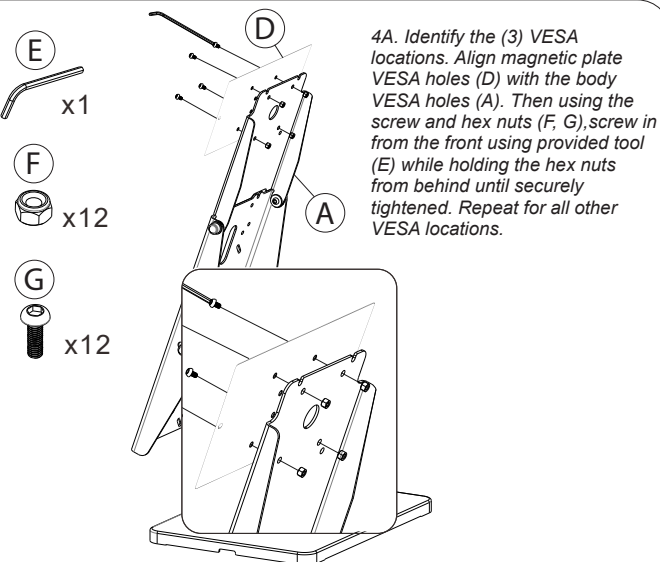
2A. Loosen the side bolt using provided tool (J) to raise or lower to height to your preference. Rotate opposite direction to securely tighten and set your height.

3. Setup Configuration :



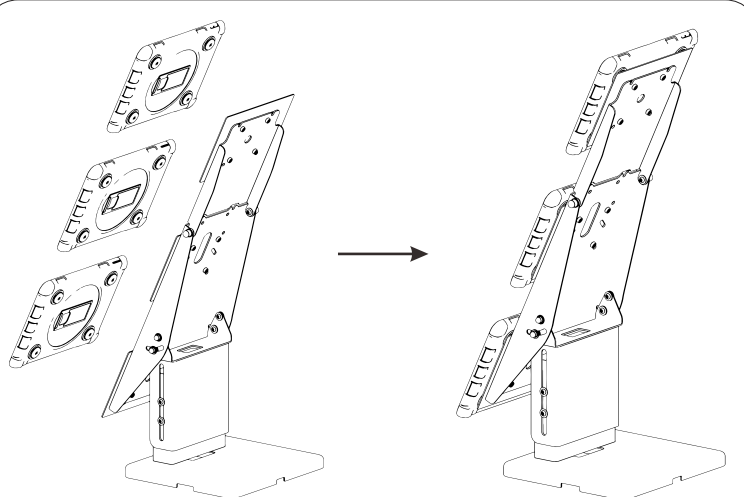
3A. Identify the top VESA plate, Tilt it down for a 2-direction setup or keep it up for a 1-direction setup as required.

4. Setting up VESA Magnetic Plate :



4A. Identify the (3) VESA locations. Align magnetic plate VESA holes (D) with the body VESA holes (A). Then using the screw and hex nuts (F, G), screw in from the front using provided tool (E) while holding the hex nuts from behind until securely tightened. Repeat for all other VESA locations.

5. Attaching Magnetic Holder to Plate :



5A. Identify the (3) magnetic holders (C). Align the magnetic holder and attach it to metal plate. Repeat for all other holders Shown above.