

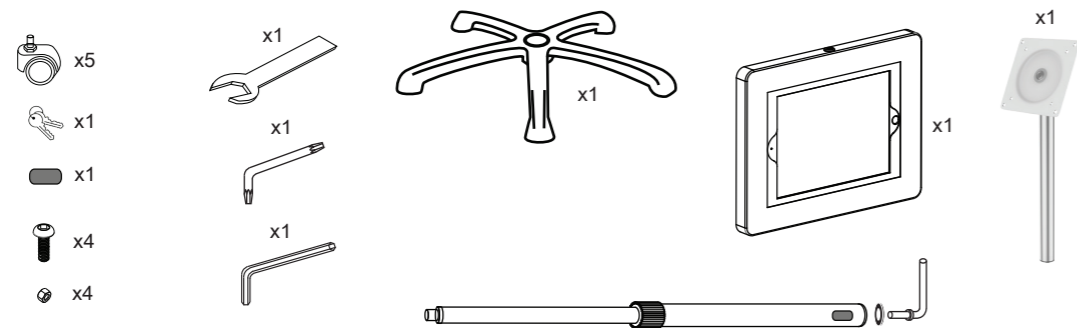


# Mobile Floor Stand with Heavy Duty Base & Universal Security Enclosure (White)

USER MANUAL

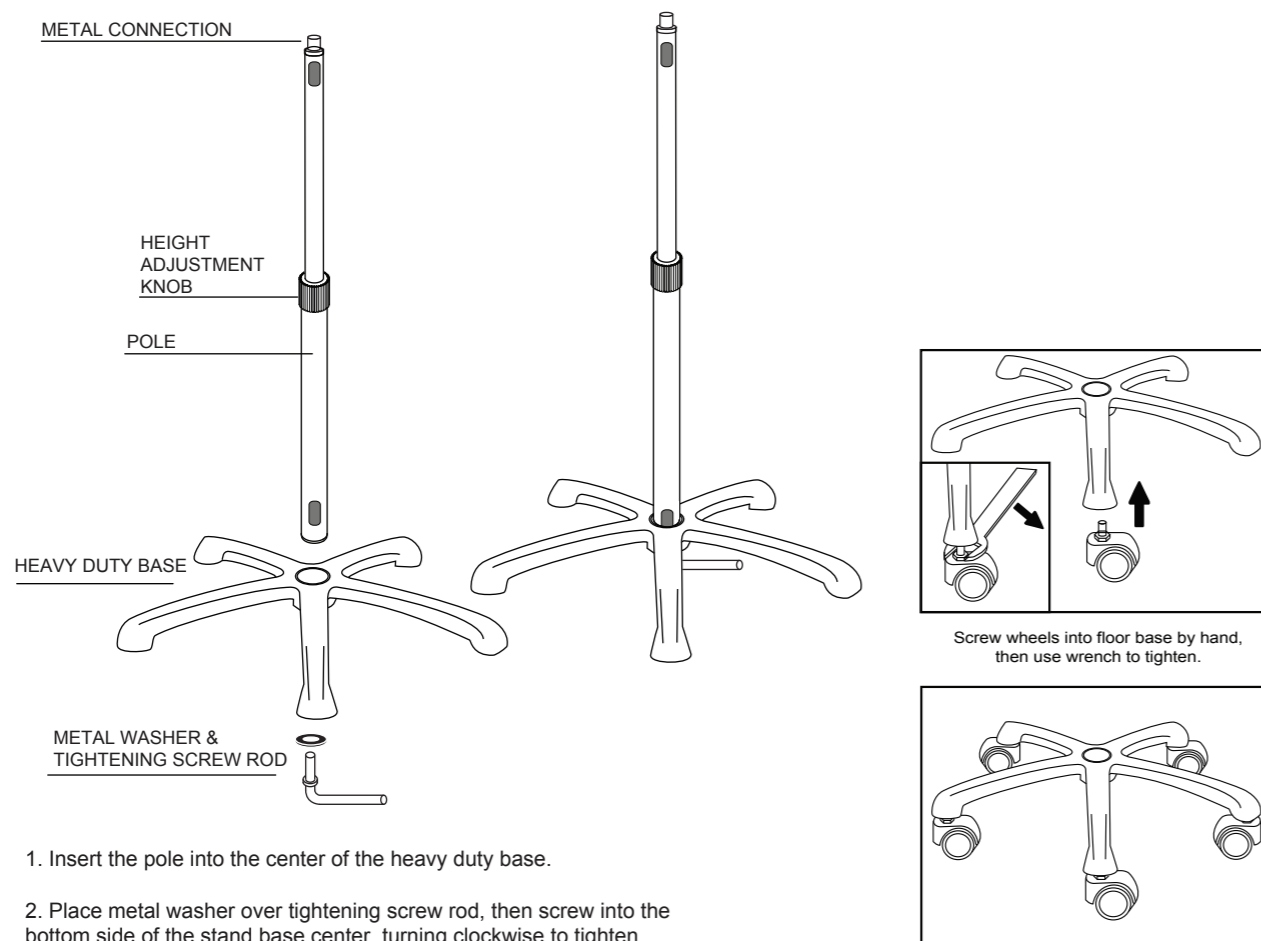
PAD-PARAHFS

## Contents:



## Instructions:

### 1. Base, Wheel Assembly and Connecting the Metal Cover:

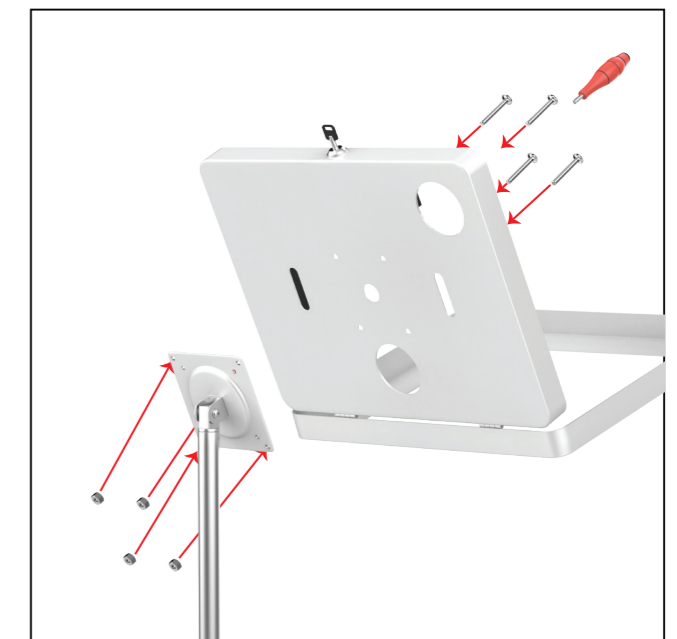


### 2. VESA Pole Assembly to Base:



Screw in ADD-VPOLE to the main body component.

### 3. Mounting Item to VESA plate:



Combine nuts and bolts through VESA plate from the front & back as shown with provided tools.

### 4. Cable Routing/Cable Management:



Route the cable through the hole at the top of the body and out the bottom.

### Setting up Enclosure and Tablet

