

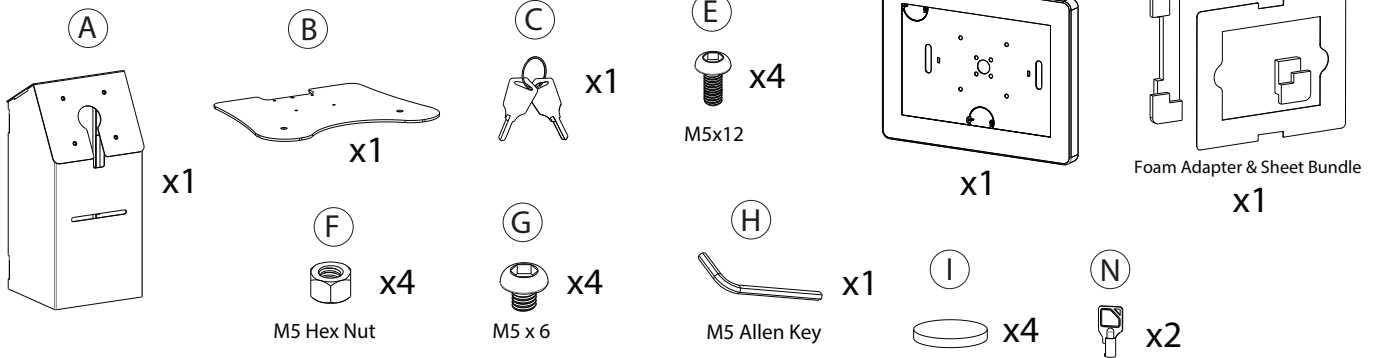


# VESA Compatible Desk Mount with Printer Shelf Compartment

PAD-PARAFPDM

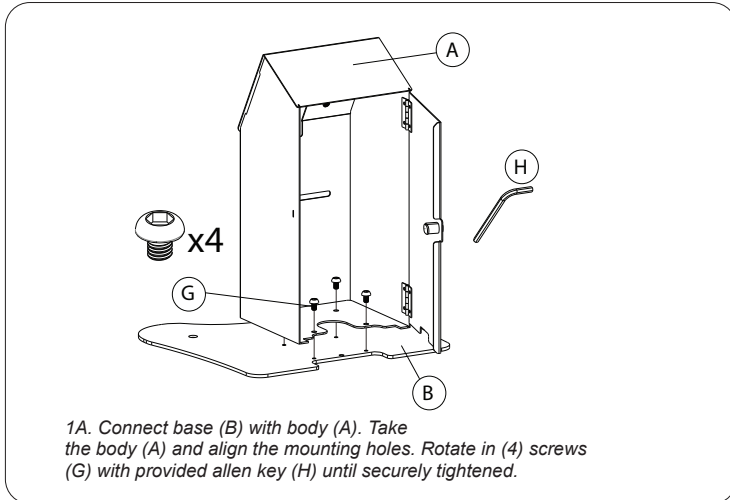
INSTRUCTION - MANUAL

## CONTENTS:

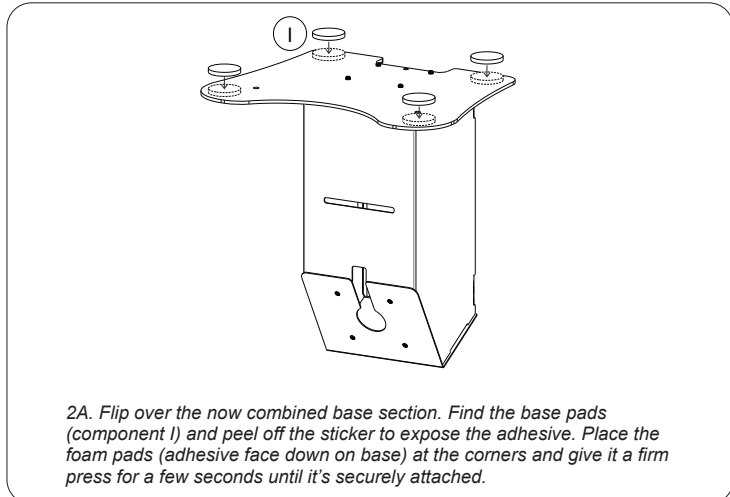


## INSTALLATION:

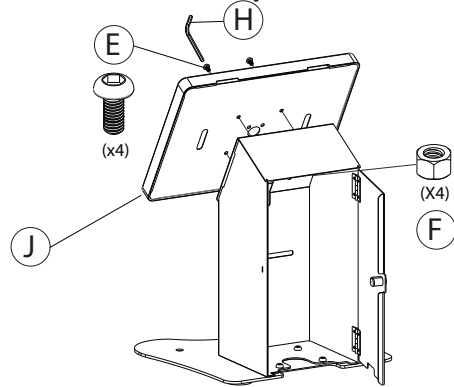
### 1. Assembling base



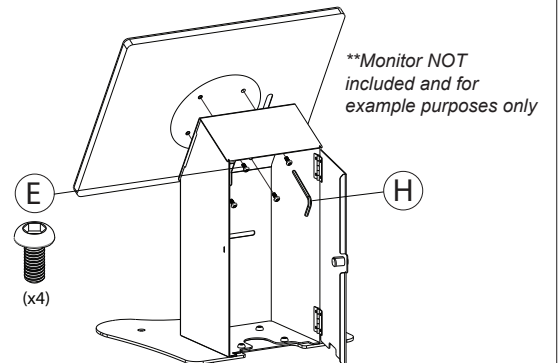
### 2. Attaching Base Pads



### How To Attach a VESA Compatible Device



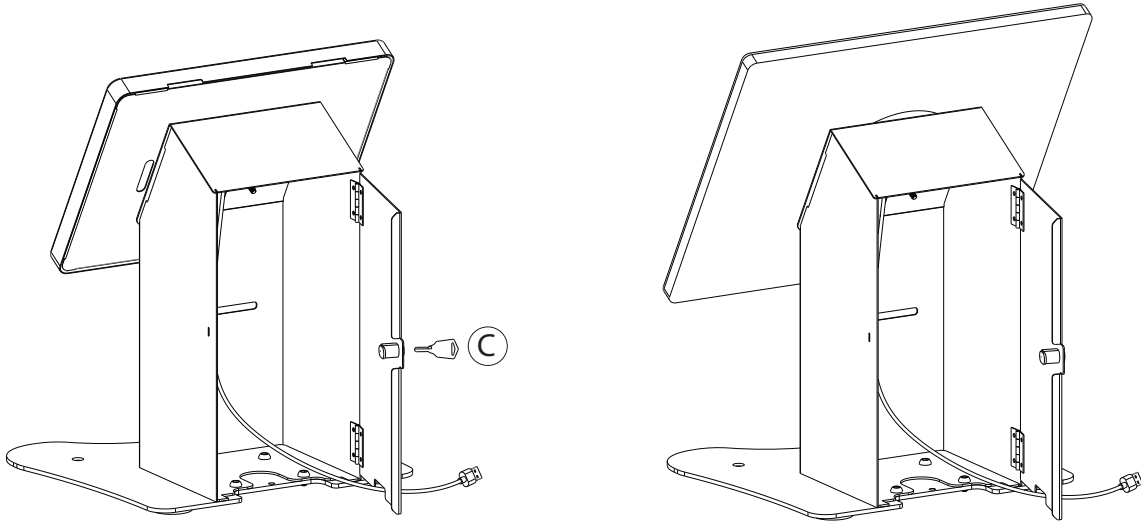
When attaching a CTA paragon enclosure, rotate in from the front (4) screws (E) using the provided allen key tool (H) while holding hex nuts from behind with your hand. Keep rotating until securely tightened.



When attaching a monitor or other VESA compatible item, rotate in (4) screws (E) from behind until securely tightened using provided allen key tool (H).

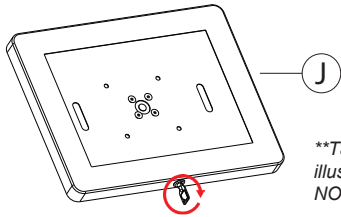
## How To Cable Route & Storage Manage

**\*\* Cables not included and shown for example purposes only.**



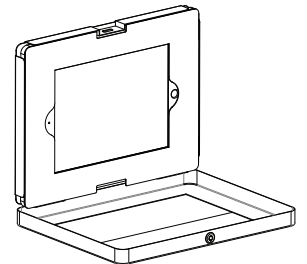
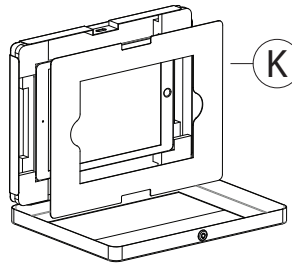
Unlock all back compartment using keys (C). Fish wire through the top to connect with device and out the bottom to your outlet or desired power source. Close door, insert key and rotate counterclockwise to lock.

## How to Setup Device in Enclosure

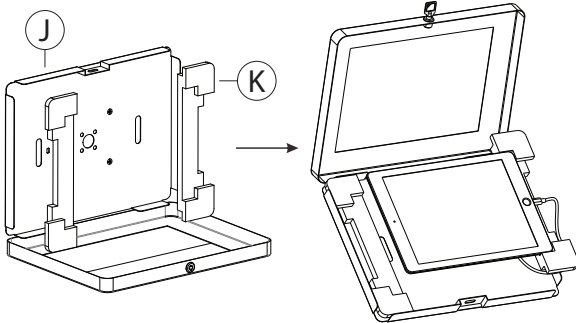


**\*\*Tablet shown for illustration and NOT INCLUDED.**

Lock or unlock your tablet enclosure (J) with security key as shown.



**\*\*Tablet shown for illustration and NOT INCLUDED.**



Find the appropriate size foam padding (K) for the tablet you wish to use. Make sure device is compatible for the enclosure. Lay in device and connect any cables/cords as needed.

If needed, lay-in correct included masking insert (K). Close and lock enclosure afterwards and you're set