

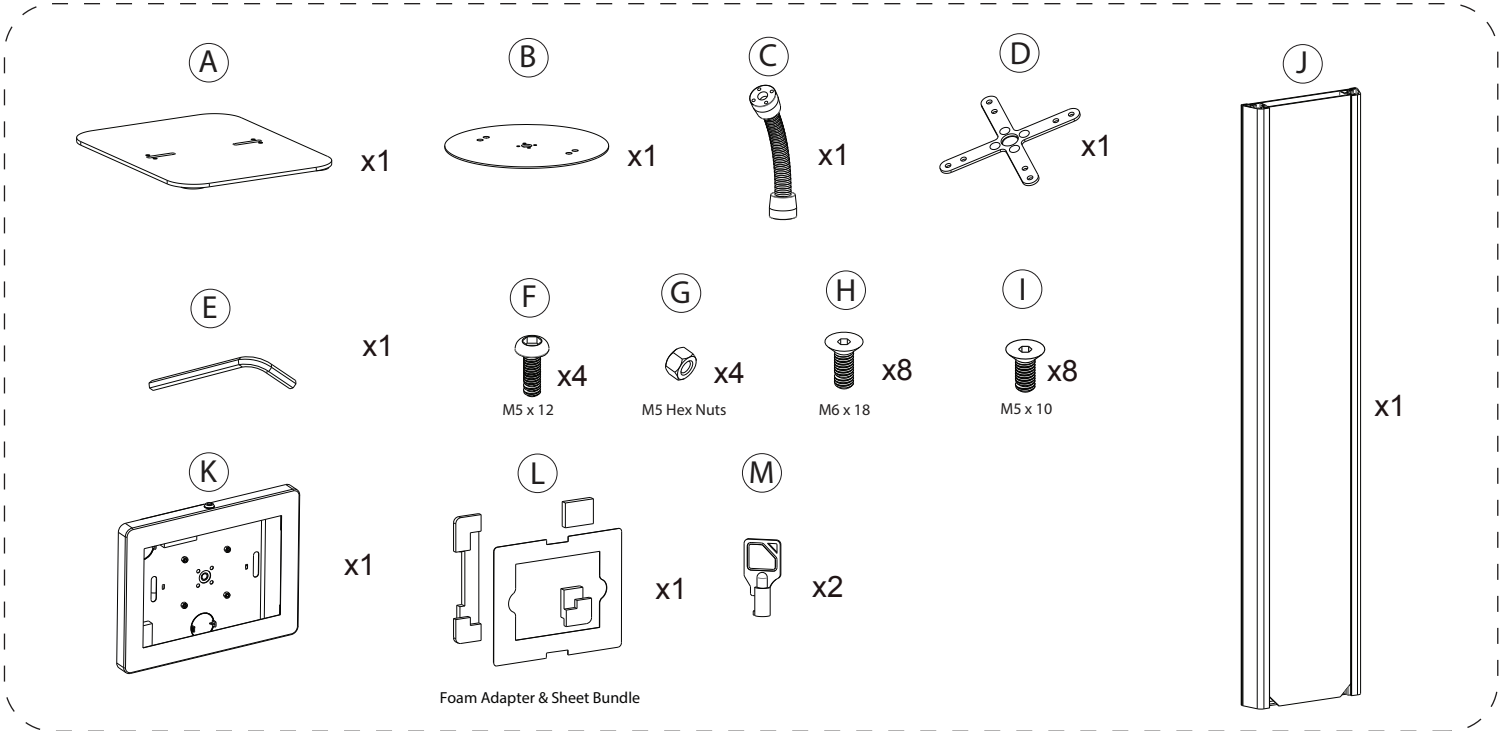


Premium Floor Stand Workstation with Universal Security Enclosure

PAD-PARAF1GT

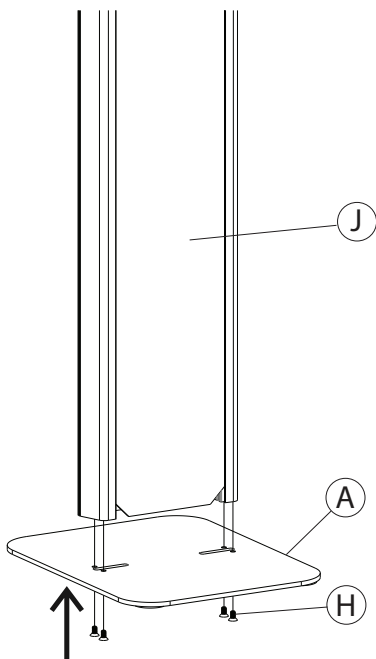
INSTRUCTION - MANUAL

CONTENTS:



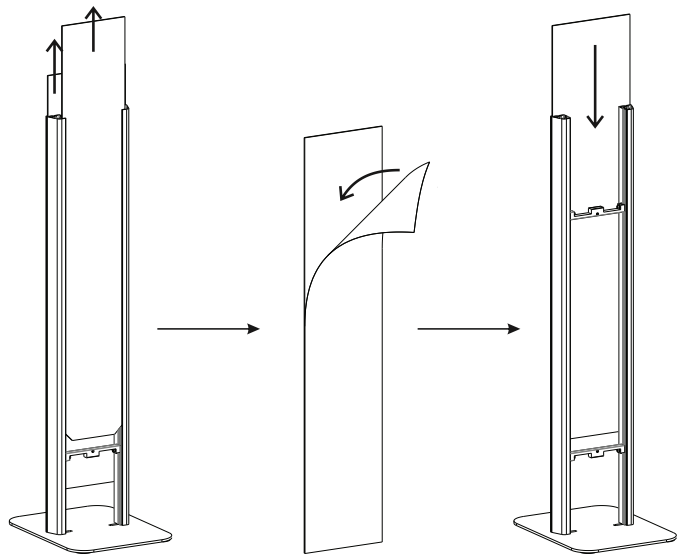
INSTRUCTIONS:

1. INSTALLING BASE



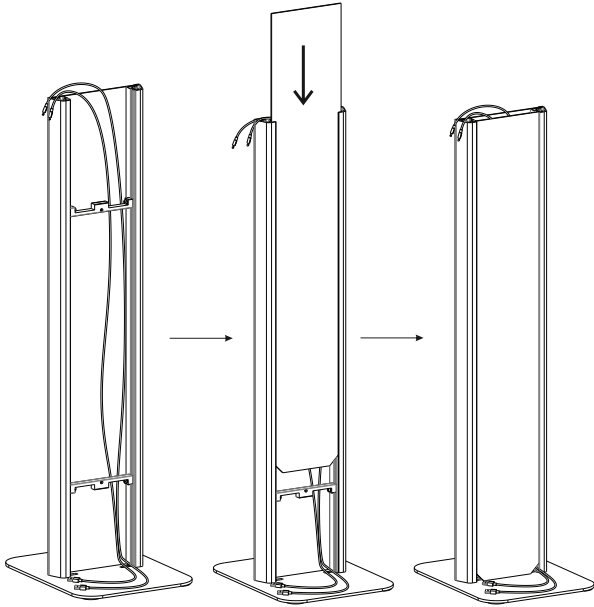
1A. ALIGN BASE PLATE (A) WITH THE BODY (J) AND ROTATE IN SCREW (H) FROM THE BOTTOM USING THE PROVIDED ALLEN KEY TOOL (E).

2. SETTING UP GRAPHIC CARD SLOT



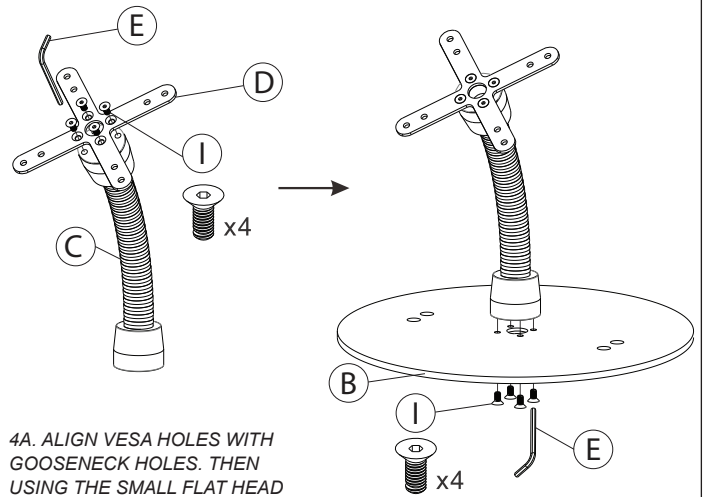
2A. SLIDE OUT THE (2) GRAPHIC CARD PANELS IN THE FRONT AND BACK OF THE BODY (J). IF THERE IS A STICKER FILM, REMOVE THAT FIRST. IF YOU HAVE PRINTED OUT A STICKER GRAPHIC, PLACE IT ONTO THE PANEL. IF YOU ARE USING A COMPLETE NEW PANEL, YOU CAN REPLACE THE INITIAL PANELS THAT CAME WITH THE FLOOR STAND. PLACE ONE PANEL BACK FIRST, THEN THE OTHER.

3. SETTING UP CABLE ROUTING



3A. WITH ONLY (1) PANEL BACK IN, SLIDE IN THE POWER CORDS AND ANY OTHER CORDS THAT WOULD NEED TO BE CONNECTED TO THE TABLET THROUGH THE BODY AS SHOWN. THERE WILL BE NOTCHES AT THE BOTTOM CORNERS OF THE PANEL FOR THEM TO ROUTE OUT TO THE POWER SOURCE TO THE DEVICE. SLIDE IN SECOND PANEL WHEN ROUTING IS FINISHED.

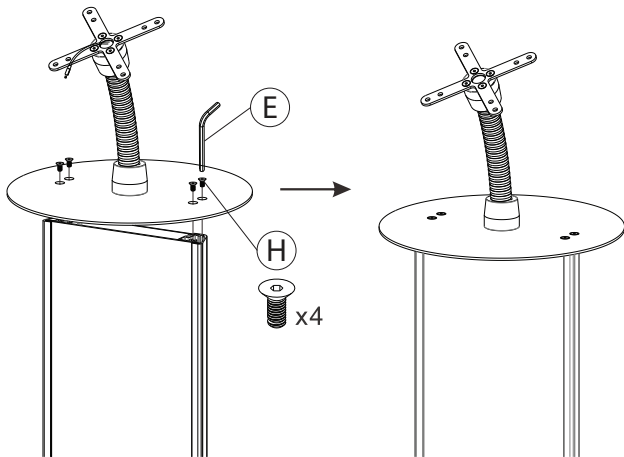
4. SETTING UP VESA, GOOSENECK AND WORK SURFACE TOGETHER



4A. ALIGN VESA HOLES WITH GOOSENECK HOLES. THEN USING THE SMALL FLAT HEAD SCREWS (E), ROTATE IN THE SCREWS TO THE VESA (D) WITH THE PROVIDED TOOL (E) UNTIL SECURELY FASTENED.

4B. ROTATE IN THE ATTACHED GOOSENECK AND VESA (D+C) TO THE TRAY TABLE (B) AS SHOWN WITH THE SMALLER FLAT HEAD SCREWS (I) WITH PROVIDED TOOL (E) FROM BELOW.

5. INSTALLING GOOSENECK WITH WORKSTATION TO FLOOR STAND

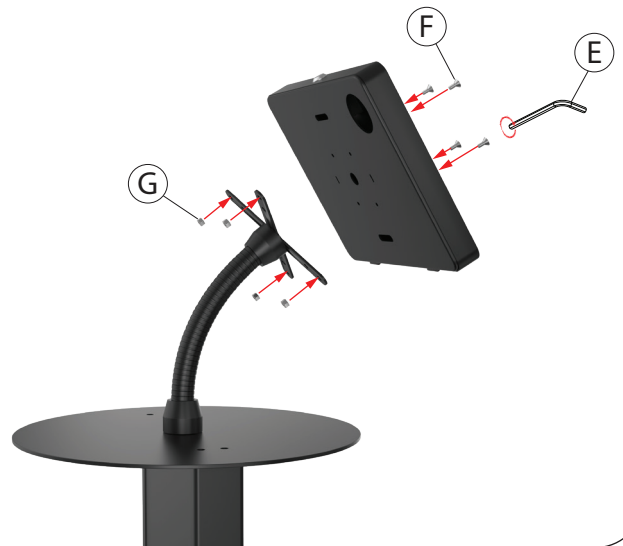


5A. BEFORE ATTACHING TRAY TABLE COMPONENT, TAKE THE CABLE THAT'S ALREADY BEEN FISHED THROUGH KIOSK BODY AND FISH IT THROUGH THE GOOSENECK AND OUT THE VESA HOLE AS ILLUSTRATED ABOVE.

ALIGN THE TRAY HOLES TO THE KIOSK TOP, ROTATE IN SCREWS (H) INTO THE TRAY THEN INTO THE STAND WITH PROVIDED TOOL (E) UNTIL SECURE FASTENED.

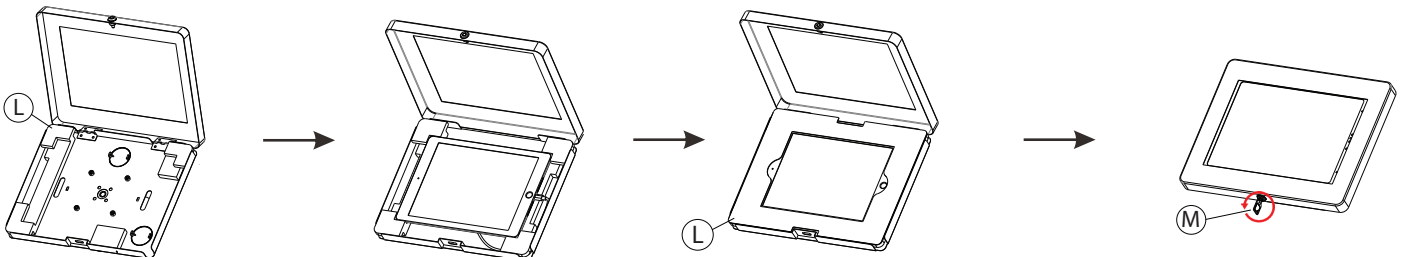
6. INSTALLING THE ENCLOSURE TO GOOSENECK-VESA

6A. WHILE HOLDING THE HEX NUT (G) FROM BEHIND THE X-VESA PLATE, ROTATE IN THE SCREWS (F) FROM THE FRONT OF THE ENCLOSURE USING THE PROVIDED TOOL (E) UNTIL SECURELY FASTENED. YOU WILL BE ROTATING SCREWS THROUGH THE ENCLOSURE INTO THE ALIGNED VESA HOLES.



7. SETTING UP DEVICE & ENCLOSURE

**Tablet shown for illustration and NOT INCLUDED.



7A. INSERT THE APPROPRIATE FOAM PIECE (L) THAT IS COMPATIBLE WITH YOUR TABLET. TEST IT WITH YOUR TABLET TO SEE IF IT FITS.

7B. INSERT TABLET AS SHOWN. MAKE SURE TO PLUG IN POWER CABLE TO TABLET AND CABLE ROUTE THROUGH THE BACK.

7C. IF YOUR TABLET IS SMALLER THAN THE ENCLOSURE OPENING, PLACE THE APPROPRIATE PROVIDED TABLET COVER (L) TO MATCH YOUR TABLET SCREEN IF NEEDED.

7D. CLOSE THE ENCLOSURE COVER AND USING THE PROVIDED KEY (M), INSERT INTO KEY HOLE AS SHOWN AND ROTATE A FULL 360 DEGREES AND REMOVE KEY TO LOCK.