



Premium Locking Floor Stand with Removeable Magnetic Protective Case (Black)

PAD-PARAF10B

INSTRUCTION - MANUAL

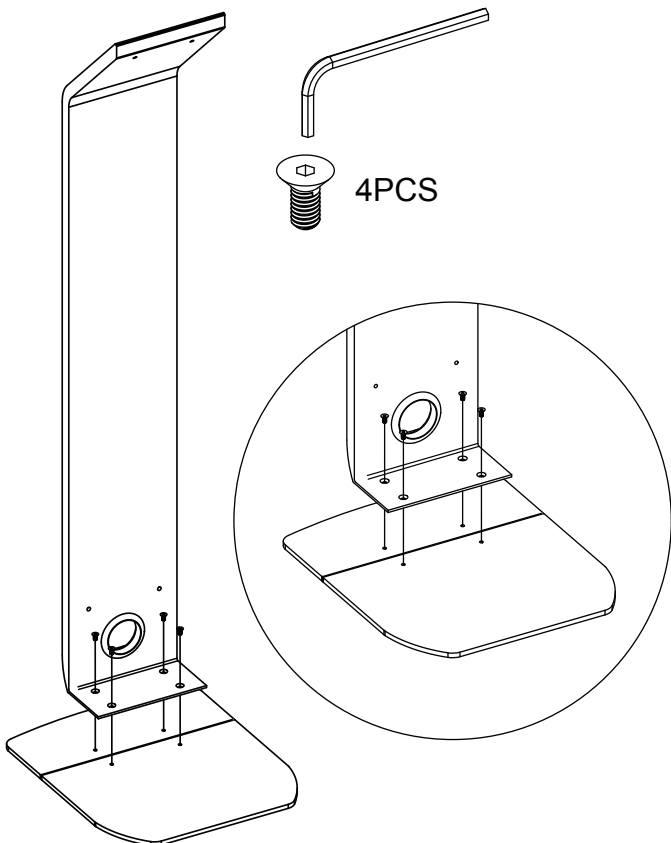
CONTENTS:



INSTRUCTIONS:

1. Setting up the floor stand with base

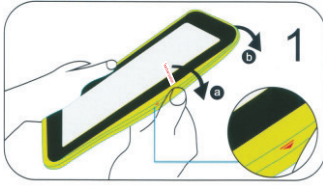
Align the base plates together as shown below. Pick up the floorstand body and align the holes at the bottom with the base plate holes. Make sure the floor stand is orienting the same way as illustrated. Using the provided tool, screw in the (4) screws until secured and tight.



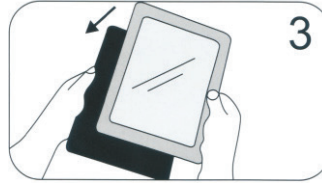
2. Mounting magnetic metal plate



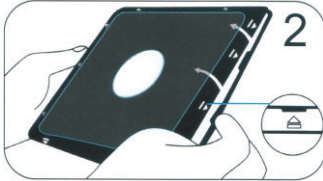
3. Inserting tablet into case



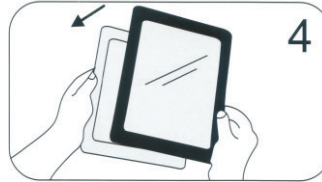
1 Remove the external silicone sleeve by peeling it away from the internal hard case.



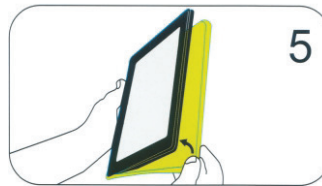
3 Insert the tablet into the rear cover



2 Gently apply pressure to the small clips (as indicated by the arrows) and unclip all four sides. Once all the sides are unclipped, the internal hard case will open.

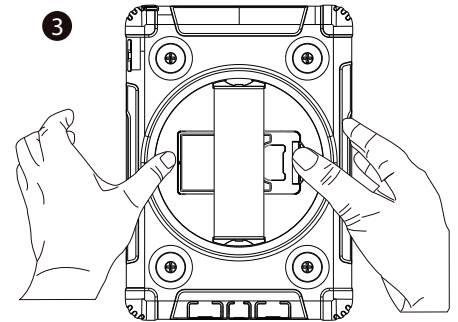
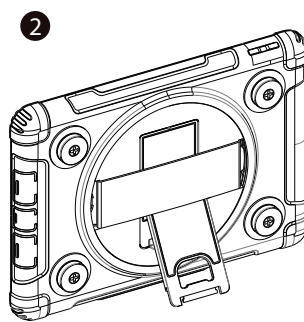
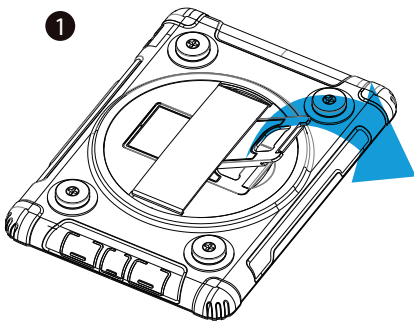


4 Once the tablet is inside the rear cover, place the internal front cover on top and gently clip all four sides into position.



5 Reinstall the external silicone rubber sleeve.

How to setup built-in kickstand



1. Locate kickstand at case rear and fold out underneath strap.
2. Display tablet at desired viewing angle.
3. Press kickstand back in to return to handheld mode.