

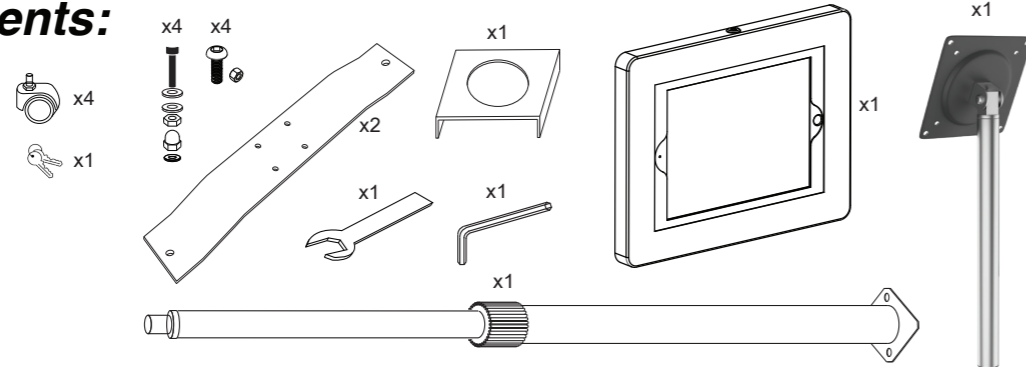


Compact Mobile Floor Stand with Universal Security Enclosure (Black)

USER MANUAL

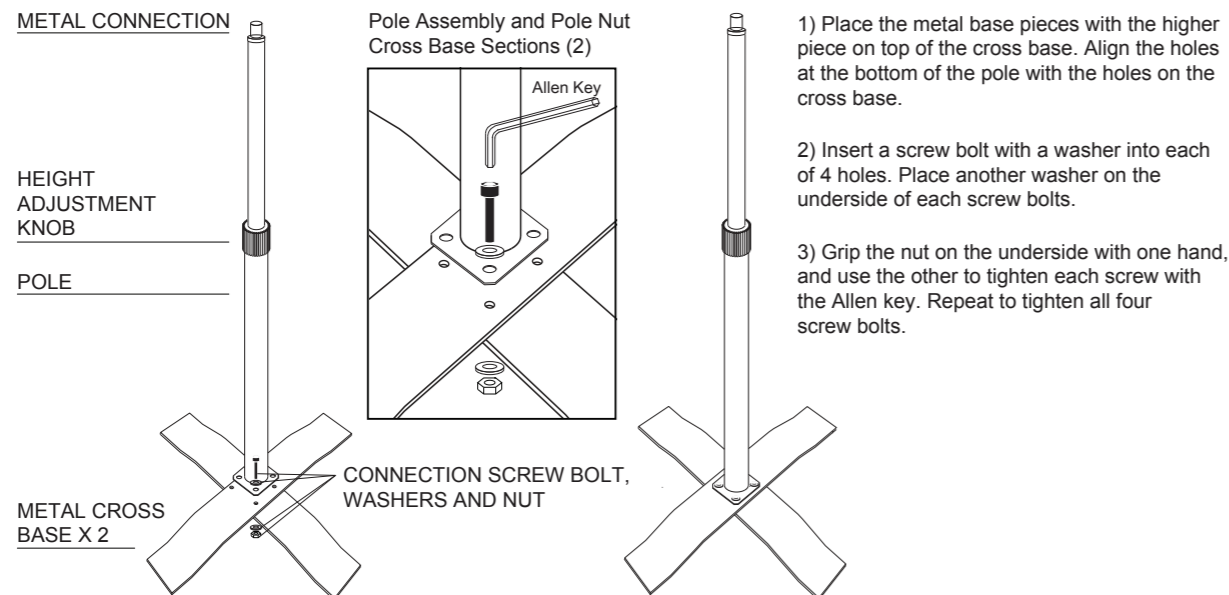
PAD-PARACGS

Contents:

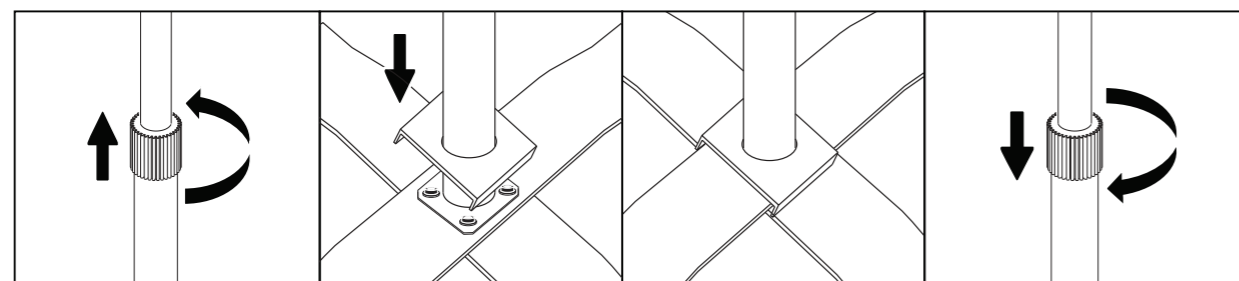


Instructions:

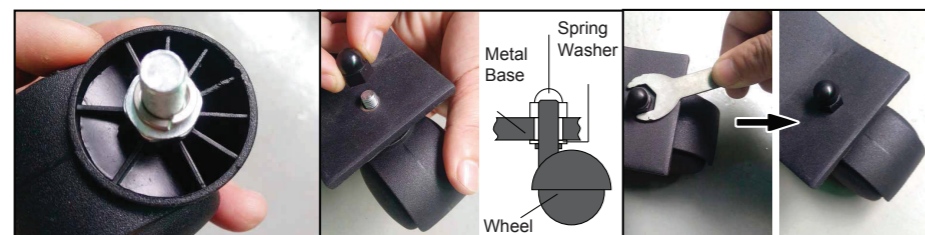
1. Base, Wheel Assembly and Connecting the Metal Cover:



- 1) Place the metal base pieces with the higher piece on top of the cross base. Align the holes at the bottom of the pole with the holes on the cross base.
- 2) Insert a screw bolt with a washer into each of 4 holes. Place another washer on the underside of each screw bolts.
- 3) Grip the nut on the underside with one hand, and use the other to tighten each screw with the Allen key. Repeat to tighten all four screw bolts.



- 4) Rotate the grip counter clockwise to loosen completely and remove from top of pole. (Shown Above)
- 5) Place the square metal cover over the top of the pole and slide down to stand base. (Shown Above)
- 6) Place grip back over stand pole and tighten (Shown Above)



- 7) Place spring washer over the screw bolt on wheel
- 8) Place the screw bolt from each wheel through the metal base. Then place nut cover over the top of each. Screw down clockwise by hand, then use wrench to tighten



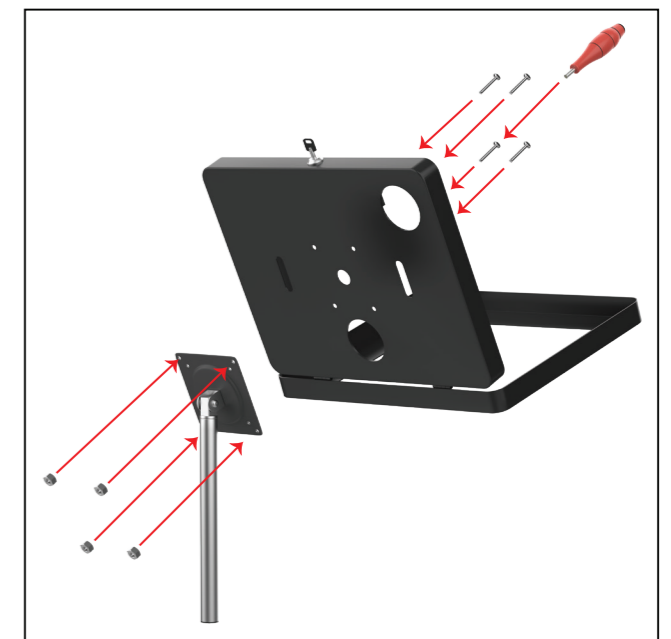
- 9) Unscrew butterfly bolt completely (red) before adding on gooseneck component (blue)

2. VESA Pole Assembly to Base:



Screw in ADD-POLE to the main body component.

3. Mounting Item to VESA plate:



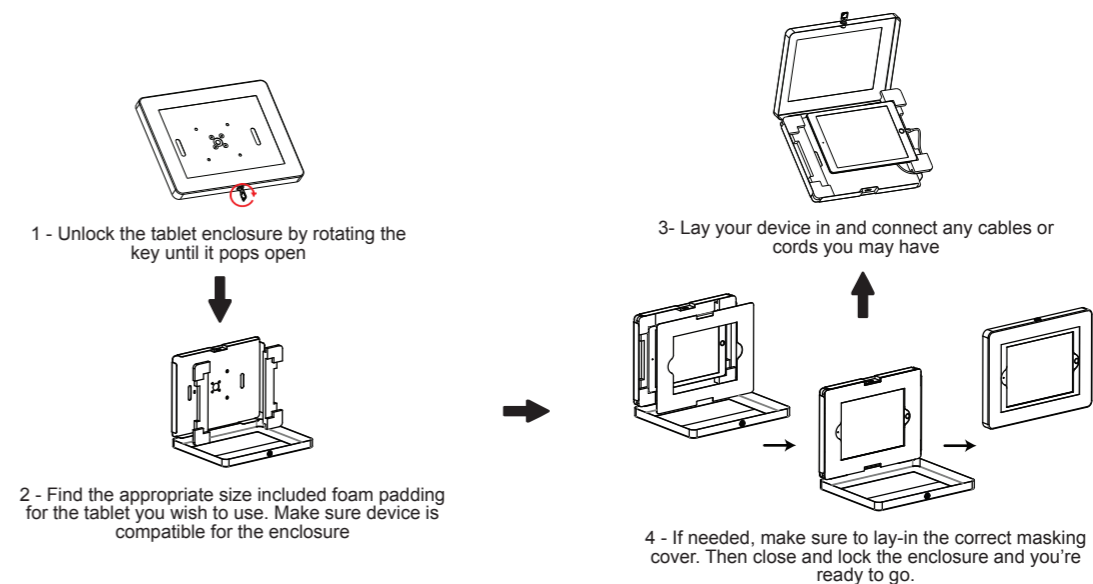
Combine nuts and bolts through VESA plate from the front & back as shown with provided tools.

4. Cable Routing/Cable Management:



Route the cable through the hole at the top of the body and out the bottom.

Setting up Enclosure and Tablet



- 1 - Unlock the tablet enclosure by rotating the key until it pops open

- 3 - Lay your device in and connect any cables or cords you may have

- 2 - Find the appropriate size included foam padding for the tablet you wish to use. Make sure device is compatible for the enclosure

- 4 - If needed, make sure to lay-in the correct masking cover. Then close and lock the enclosure and you're ready to go.