

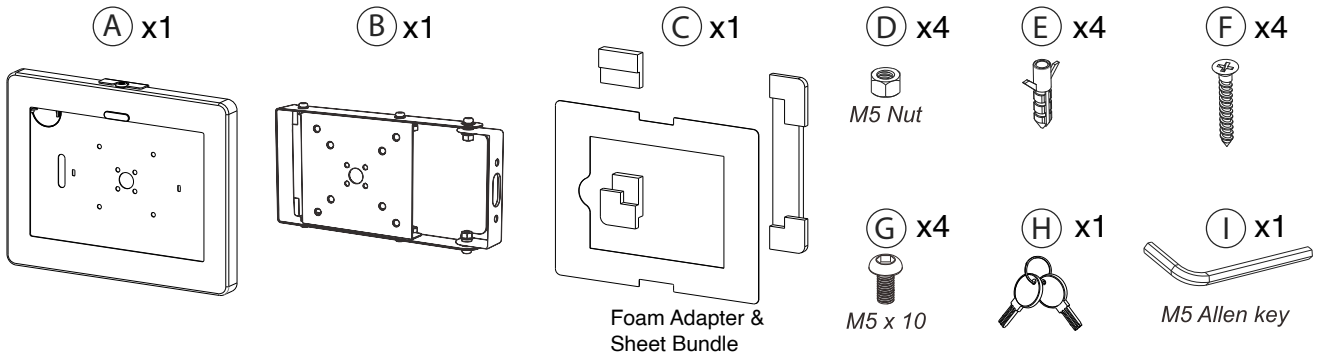


Premium Security Mullion Side Mount Enclosure

PAD-MULPAR

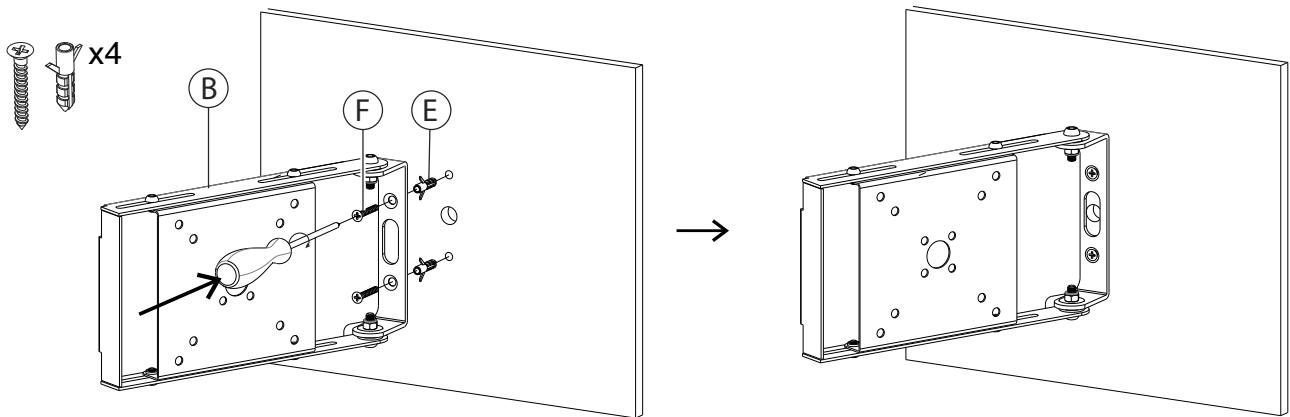
INSTRUCTION - MANUAL

CONTENTS:

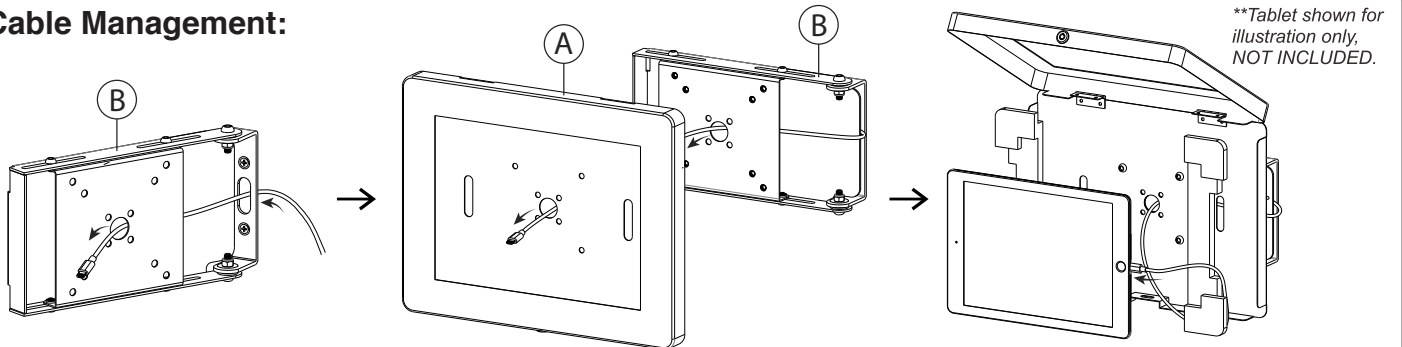


INSTALLATION:

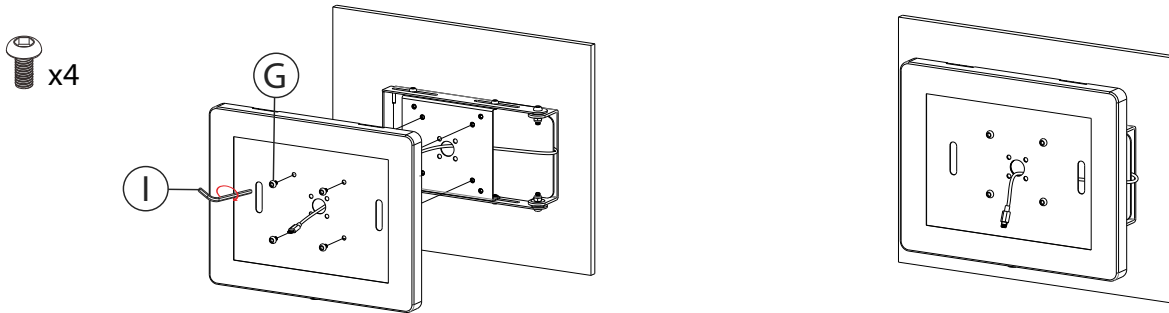
1. When mounting to wall using anchors:



2. Cable Management:

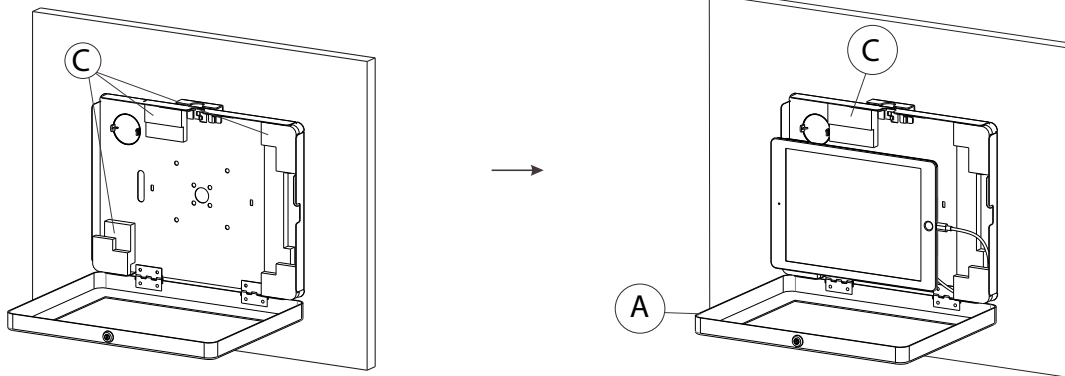


3. Attaching Enclosure to Vesa plate:



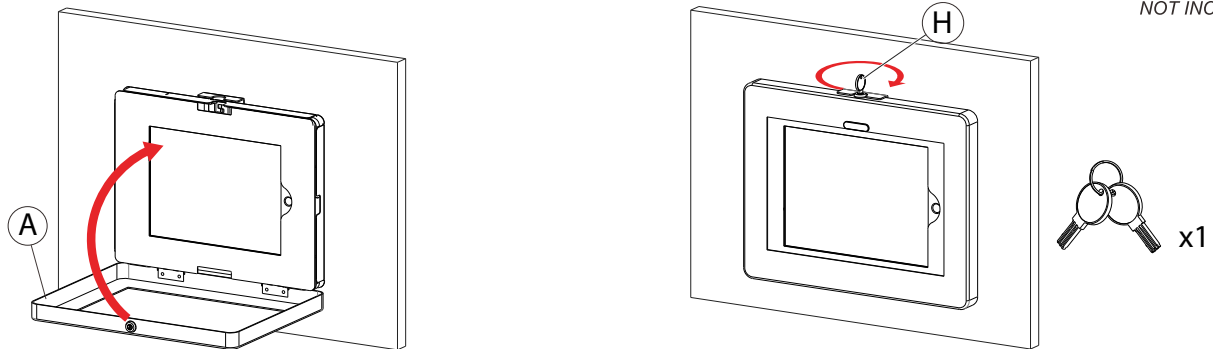
3A. Align enclosure 75mm x 75mm holes with VESA plate holes and turn in screws (G) using provided tool (I) until securely tightened.

4. Placing Tablet into Enclosure:



4A. Find the appropriate size foam padding (C) for the tablet you wish to use. Make sure device is compatible for the enclosure. If having power/data cord attached to tablet, slide it through the back of the foam as shown and out the opening in the back.

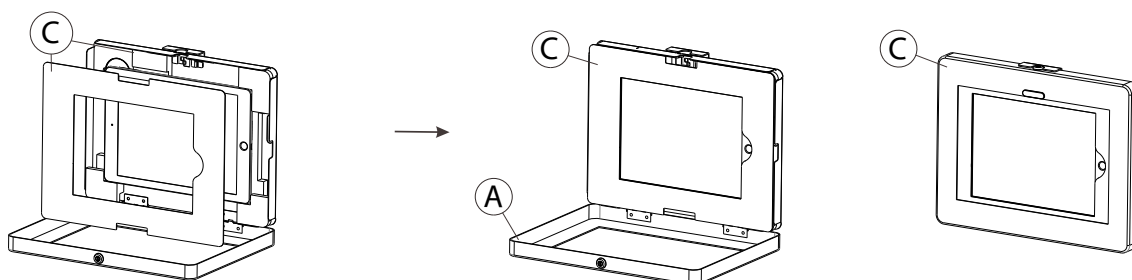
5. Setting Up Security:



5A. Once the tablet device is set up, close the front lid of the enclosure.

5B. Insert the key (F) in the keyhole on top of the enclosure, and turn clockwise to lock the enclosure in place.

6. Optional - Placing Blank Sheet Insert into Enclosure:

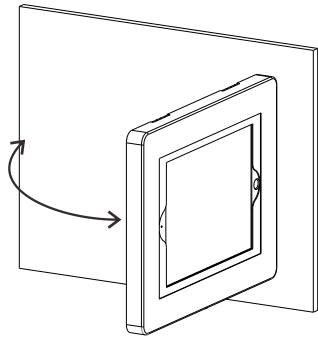


6A. Lay-in correct masking insert from bundle (C) as needed the correct fitted look for your device.

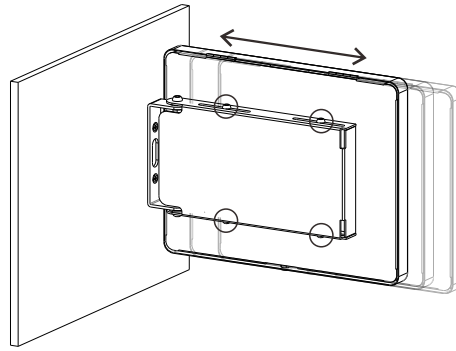
6B. Close and lock enclosure afterwards you're set.

7. Adjustability:

****Tablet shown for illustration only, NOT INCLUDED.**



7A. Swivel to adjust the enclosure to desired view angle.

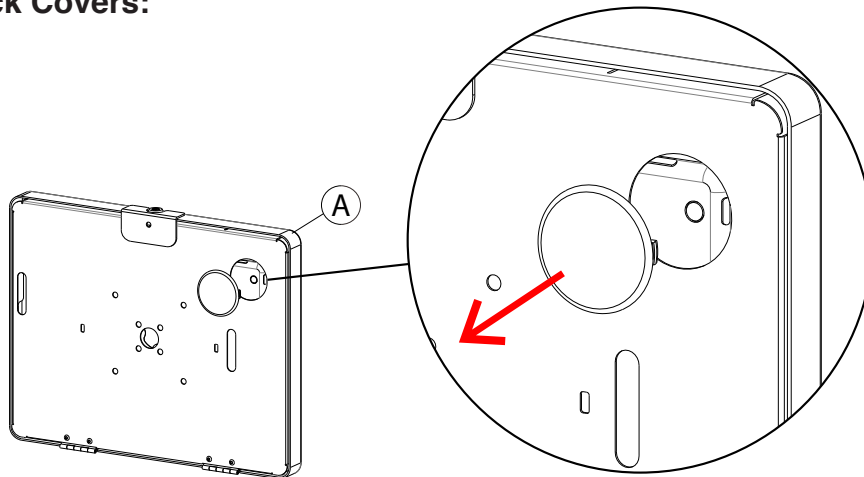


7B. Slide the enclosure to reach ideal position then tighten the screws. as shown above.

8. Removing Back Covers:

****Tablet shown for illustration only, NOT INCLUDED.**

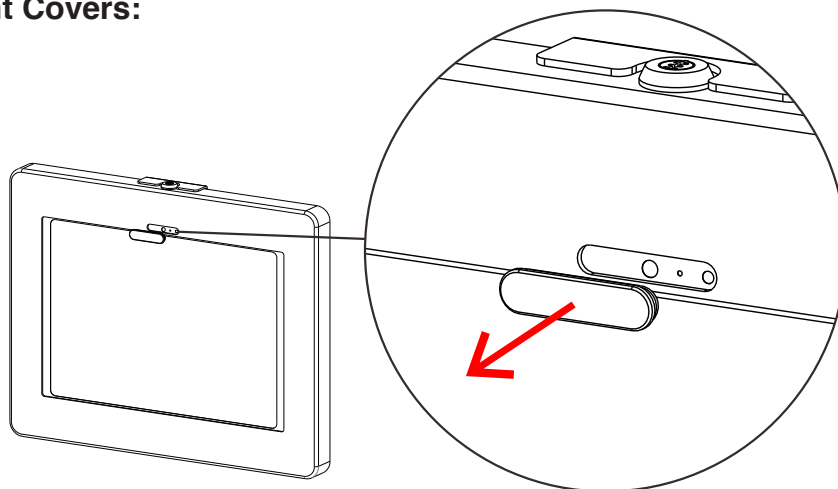
****Tablet shown for illustration only, NOT INCLUDED.**



8A. When installing device into the enclosure, identify where the camera is. Then simply remove and pop out the cover prior to mounting or setting up tablet to properly expose camera.

9. Removing Front Covers:

****Tablet shown for illustration only, NOT INCLUDED.**



9A. Please remove the rubber cover if you want to use iPad 10th with front camera exposed.