

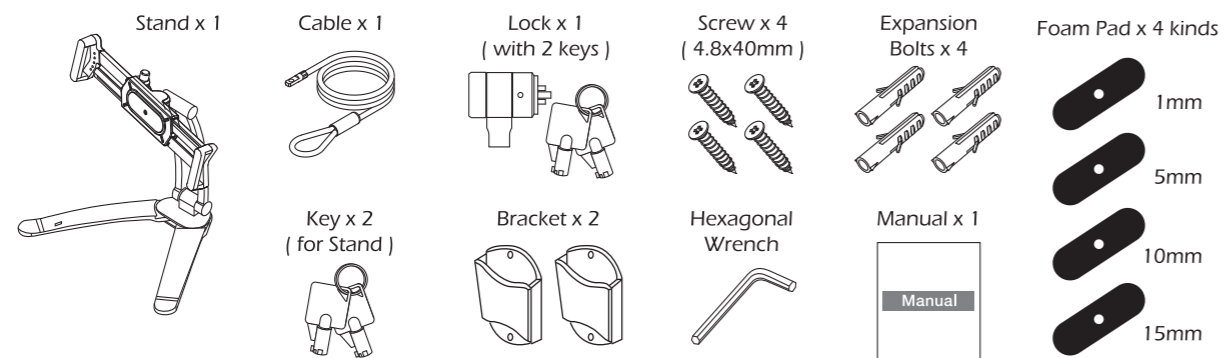


2-in-1 Security Multi-Flex Stand and Magnetic Wall Mount for 7-14 Inch Tablets

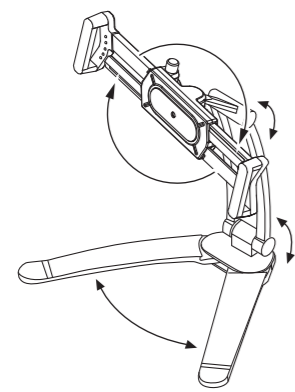
USER MANUAL PAD-MSKMSB

**Note - Hinges may get looser and droop over time. Please tighten screws for optimum usage and efficiency.

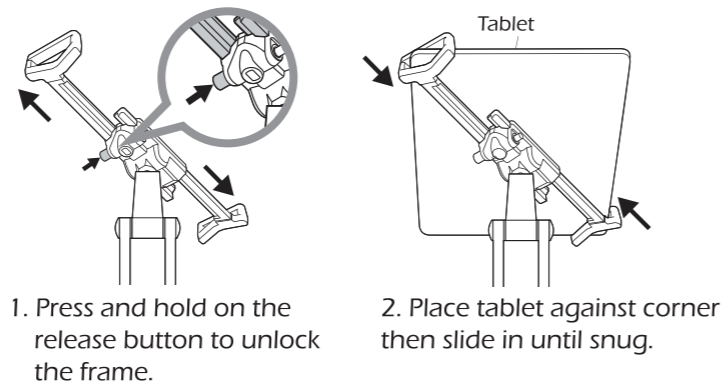
Contents



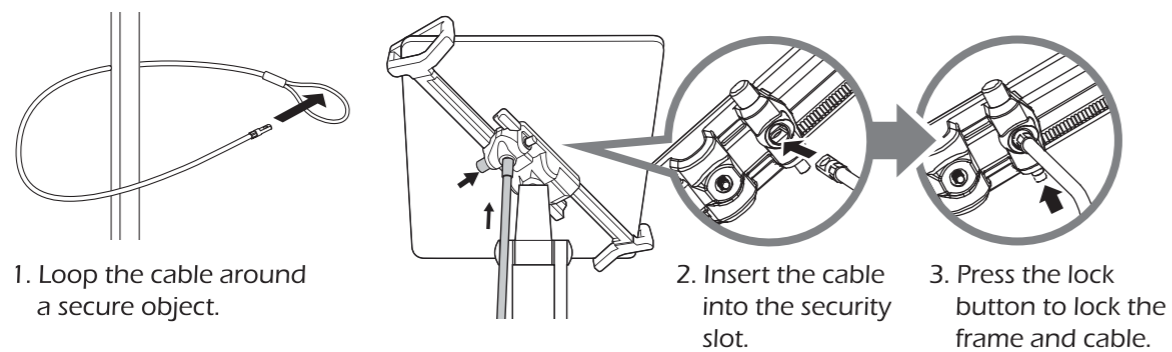
Adjusting the Angle



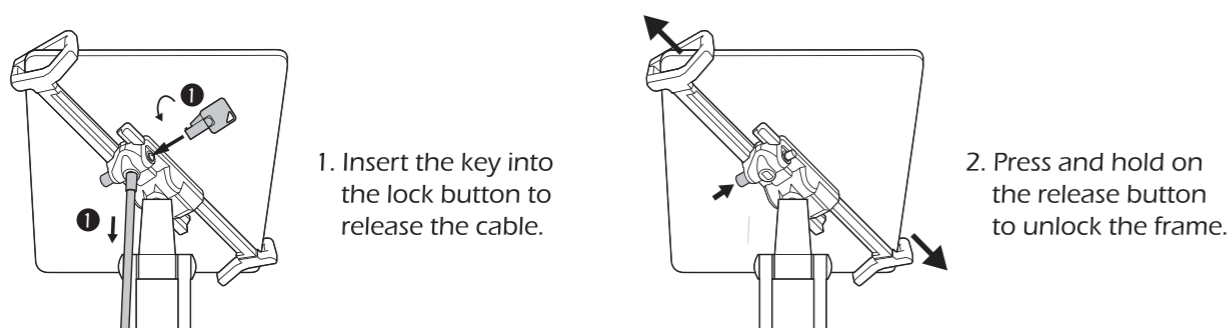
Installing Your Tablet



Using the Lock

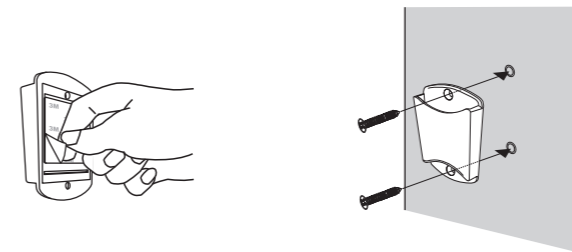


Unlock The Security Frame



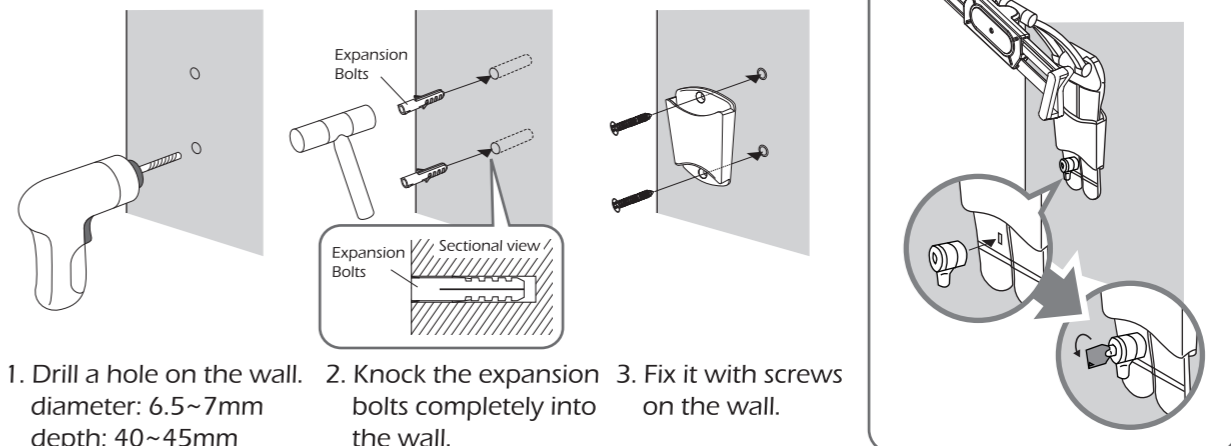
Mounting Tablet On The Wall

A - For wooden wall



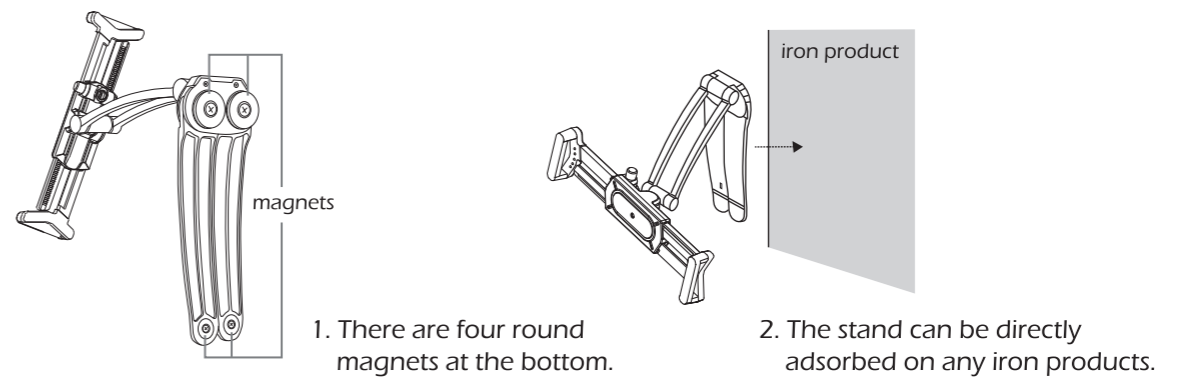
1. Tear off adhesive film on the bottom of the bracket.
2. Stick to the wall and fix it with screws.

B - For cement wall



1. Drill a hole on the wall. diameter: 6.5~7mm depth: 40~45mm
2. Knock the expansion bolts completely into the wall.
3. Fix it with screws on the wall.

C - For iron product



1. There are four round magnets at the bottom.
2. The stand can be directly adsorbed on any iron products.

Adjusting the Joint

If the joint is loose, you can tighten it with the hexagonal wrench.

