

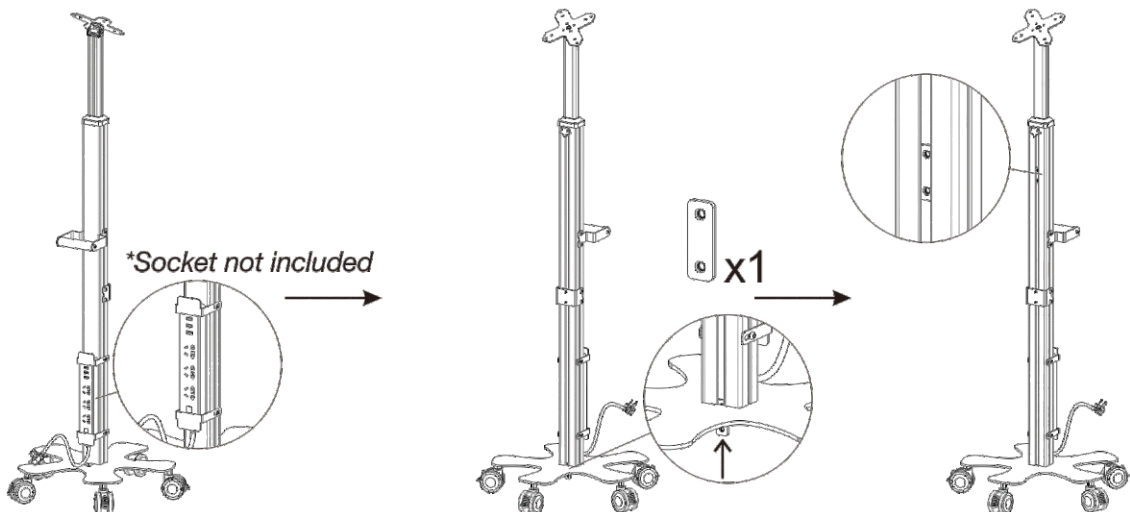
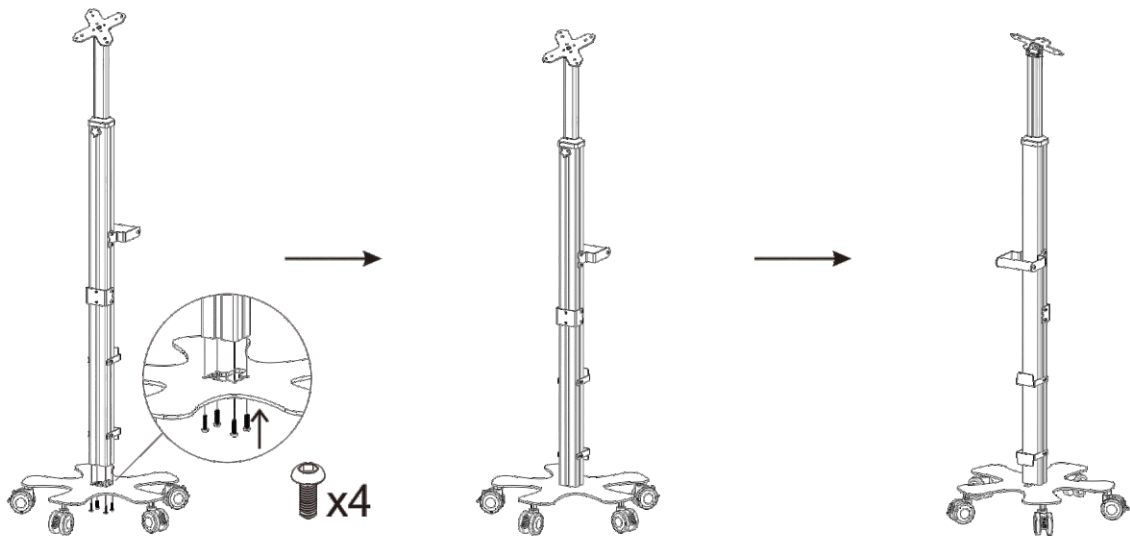
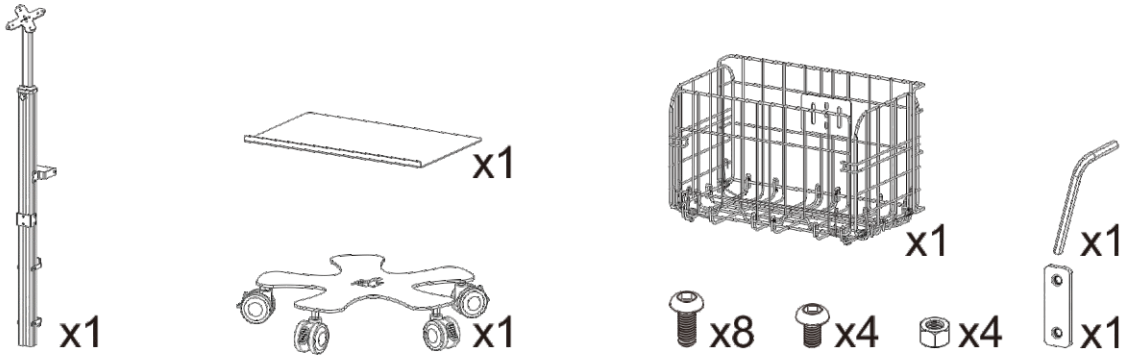
Medical Floor Stand with VESA Plate



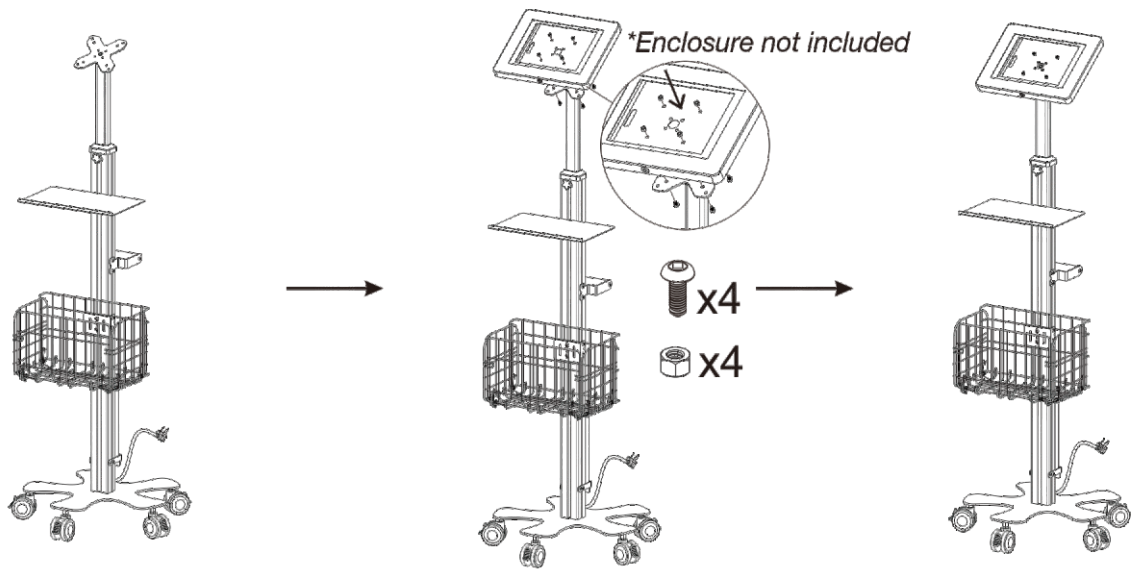
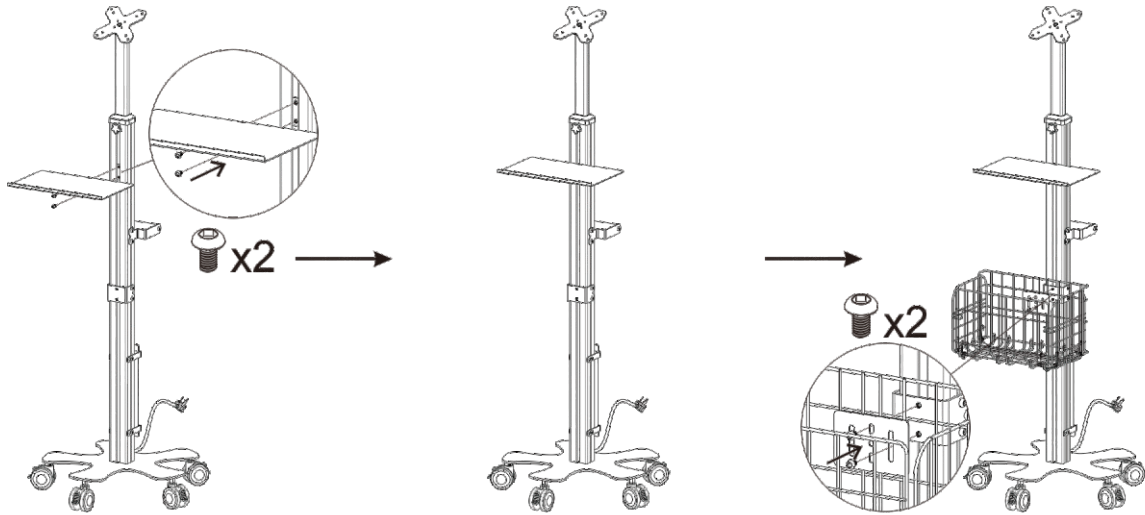
INSTRUCTION MANUAL

PAD-MFS

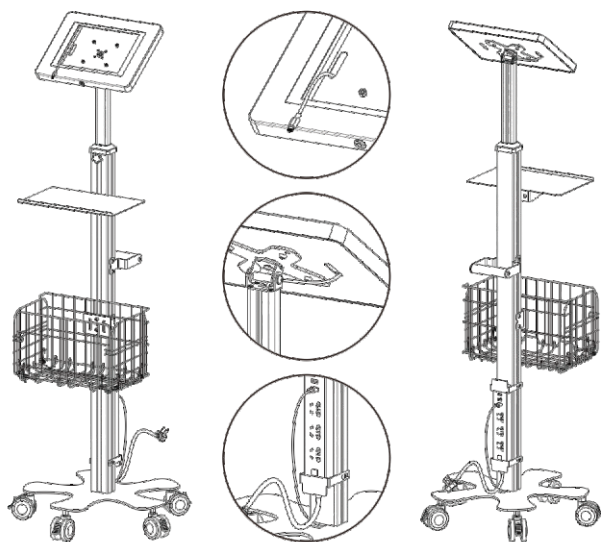
Component Checklist



Insert this small part into the slot and slide up to the height where you want to install the keyboard holder.



Cable Routing



Height adjustment

