



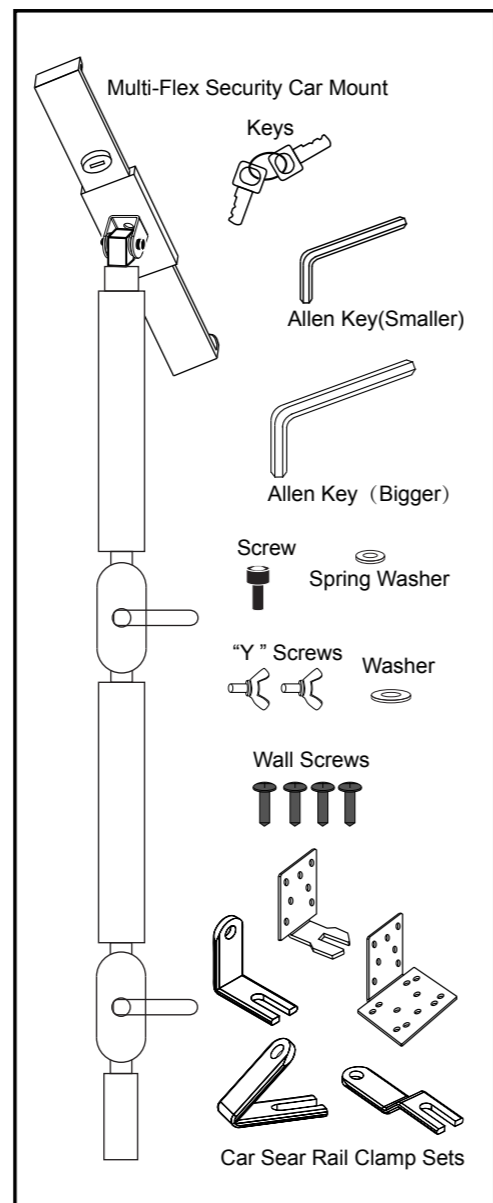
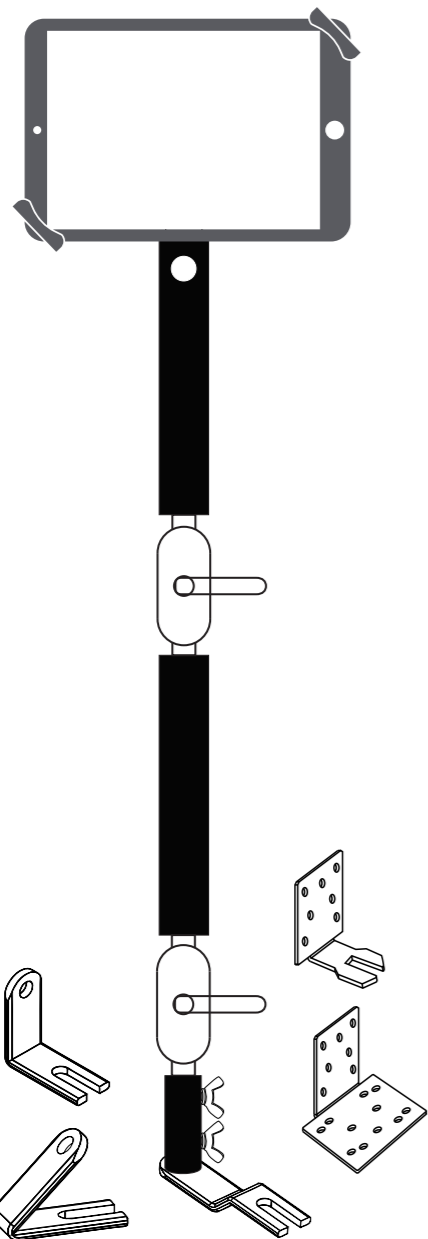
CTA DIGITAL

PAD-MFSOM

Multi-Flex Security Car Mount for 7-13 Inch Tablets

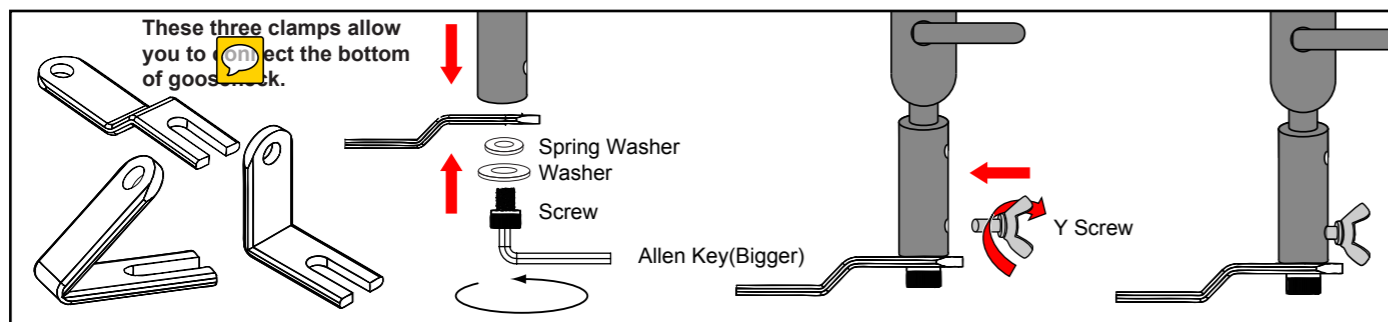
INSTRUCTION MANUAL

Thank you for choosing CTA Digital's product. We hope that you will enjoy using it. Please follow the guidelines and instructions as laid out in this instruction manual.

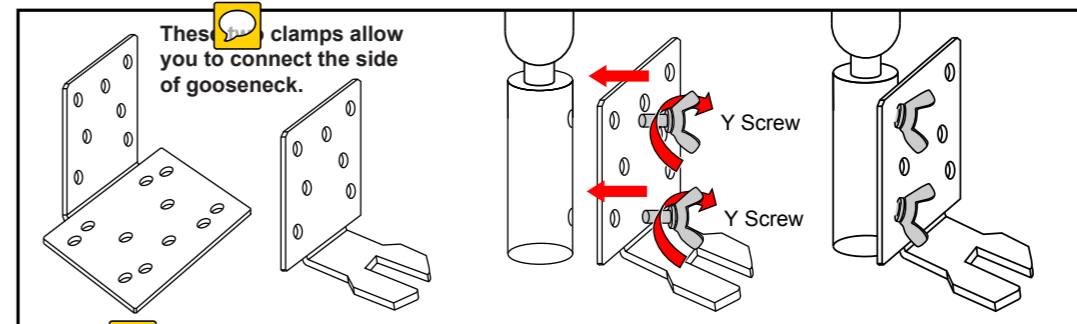


Instructions:

1. Installing the Gooseneck Car Mount to the Car Seat Rail Clamps



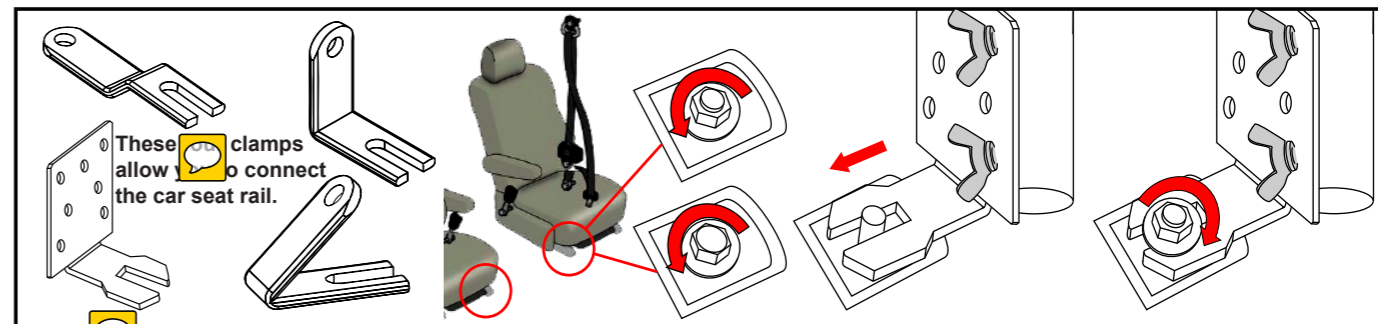
1. Choose the clamp according to your needs. 2. Put all with the correct direction and position. 3. Screw up the screw to tighten the connection. 4. Screw up one Y screw to the hole on the side of gooseneck to prevent the rotation.



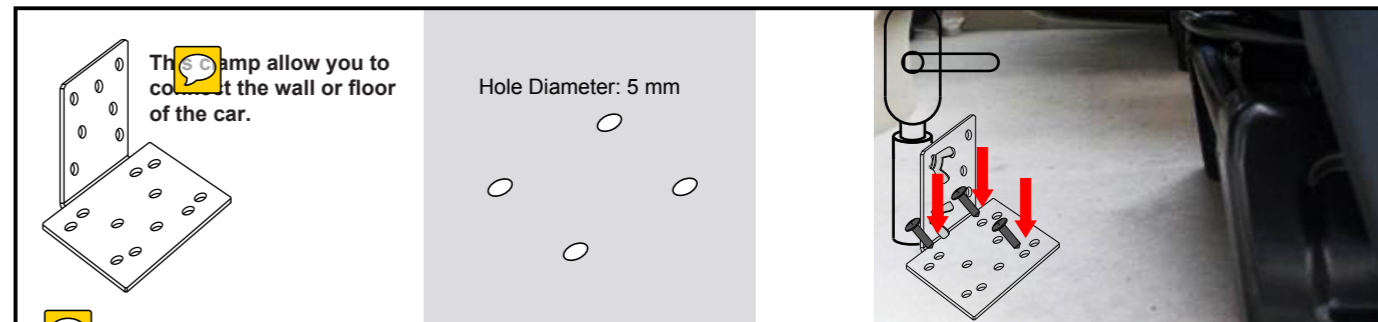
1. Choose the clamp according to your needs. 2. Align the holes on the clamp to the screw holes on the side of gooseneck. 3. Screw up Y screws to tighten the connection.

PS: The holes on the clamps allow you to adjust the connection direction

2. Installing to your Car

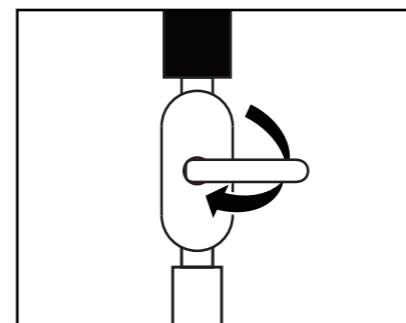


Unscrew screw or nut of your car seat rail, insert the clamp and then screw up the screw or nut to tighten it again.

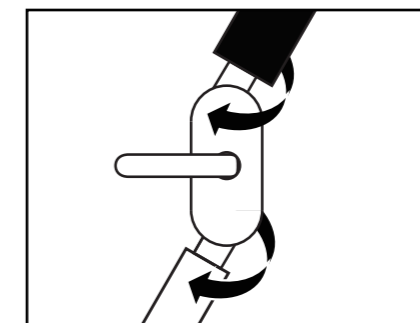


Mark the holes on the floor or wall of the car according to the holes you selected on the clamp, then screw up the WALL SCREWS to connect it.

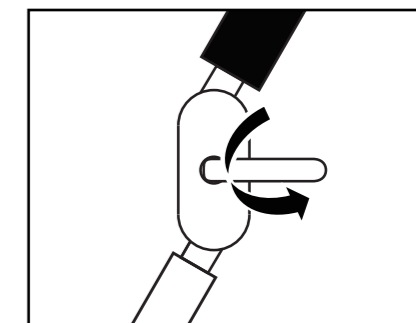
3. Adjusting the Multi-Flex Pole



Release the knob to loosen the universal joint.



Adjust the pole by rotating the pole and universal joint.

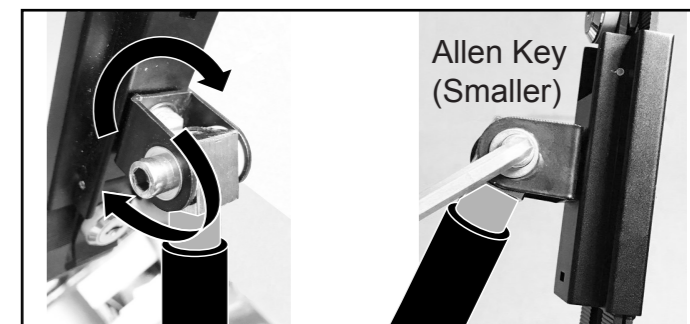


Lock the knob to tighten universal joint again.

4. Installing your Device and Adjusting the Tablet holder



1. Unlock the holder with the key to slide out the arms, install your tablet and adjust the arms to hold it well and then lock the holder again.



2. Use smaller Allen key to tighten and loosen the connection screw to adjust the base of rotation in the tablet holder.

SUPPORT@CTADIGITAL.COM