

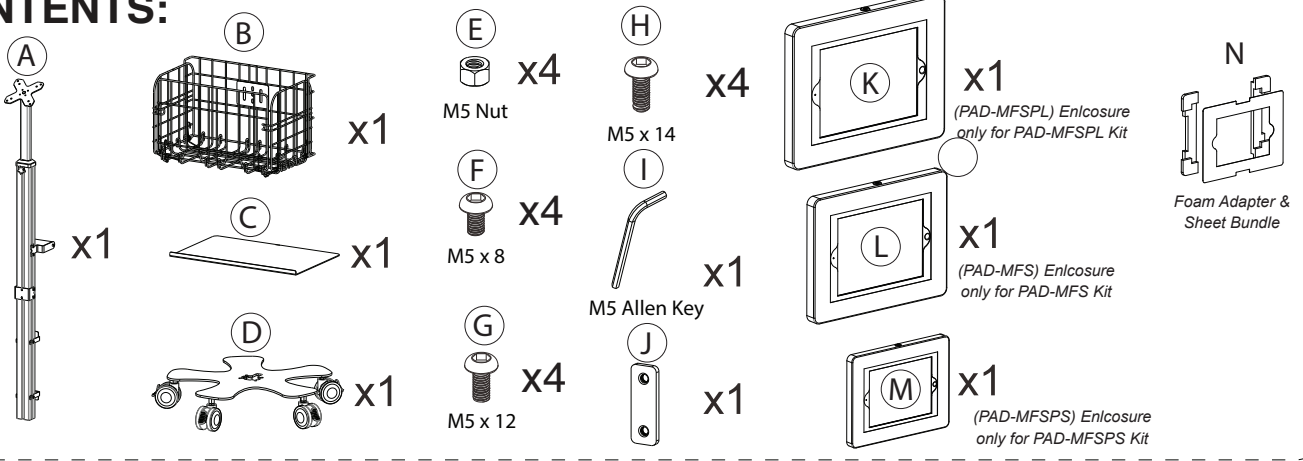


Medical Floor Stand with VESA Plate and Paragon Enclosure

PAD-MFS / PAD-MFSPL / PAD-MFSPS

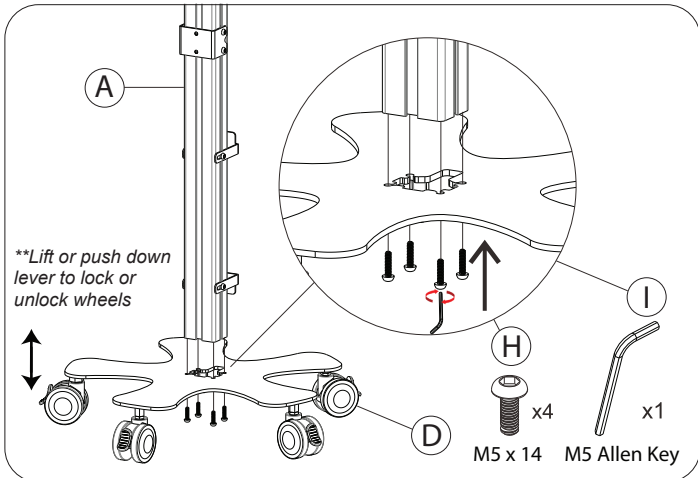
INSTRUCTION - MANUAL

CONTENTS:



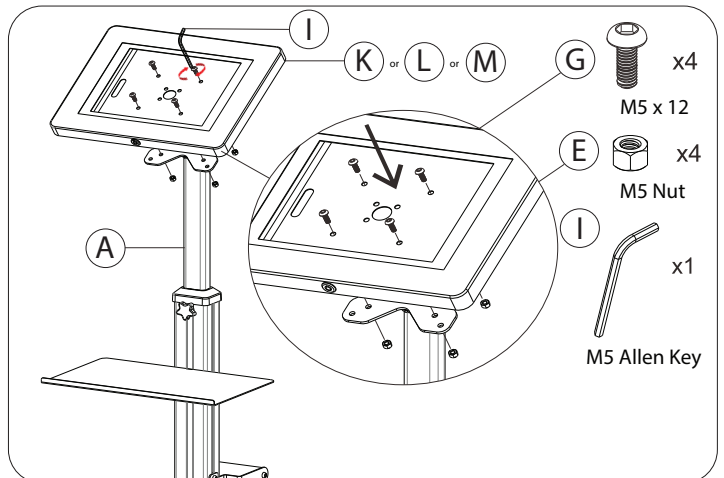
INSTALLATION:

1. Setting up Base to Body



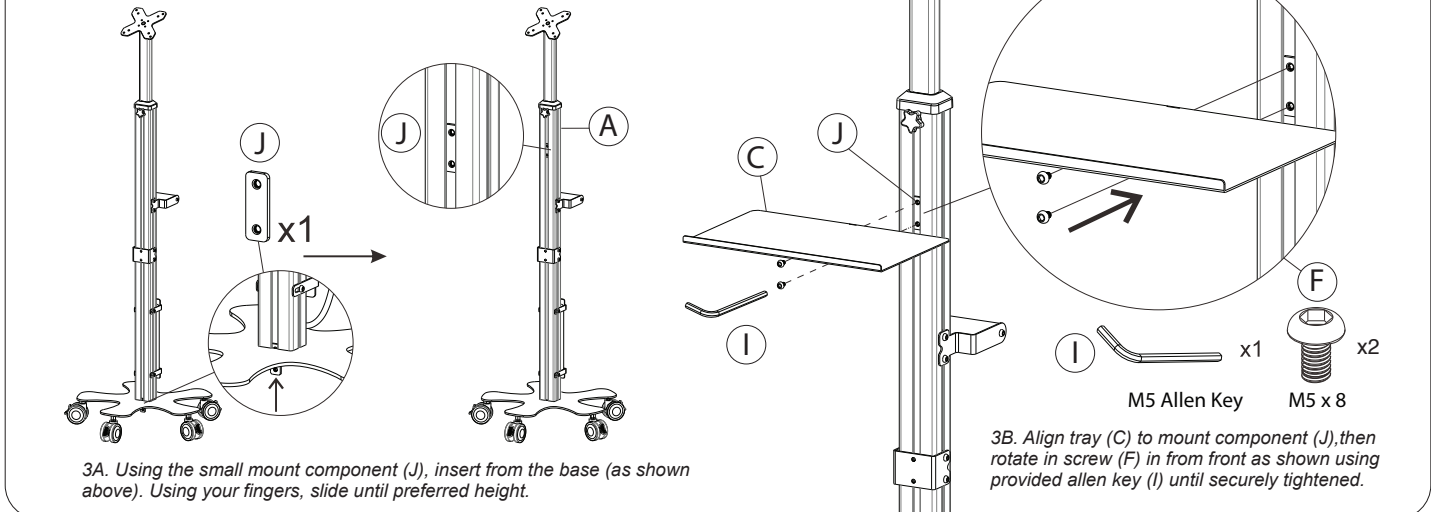
**Lift or push down lever to lock or unlock wheels

2. Attaching Enclosure to VESA

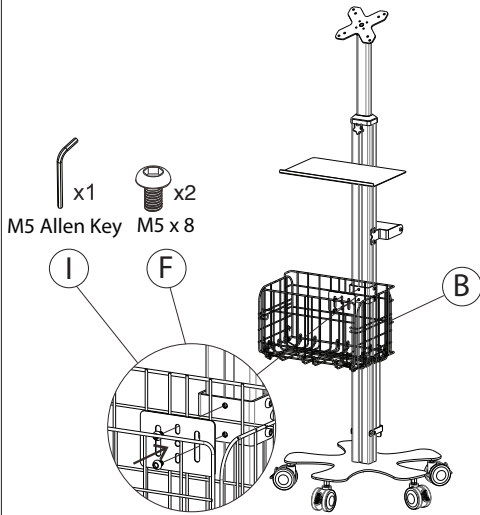


2A. Align enclosure (K or L or M) holes to VESA plate holes. Screw in (G) above using provide tool while holding hex nut (E) tool from behind with fingers.

3. Setting up Tray

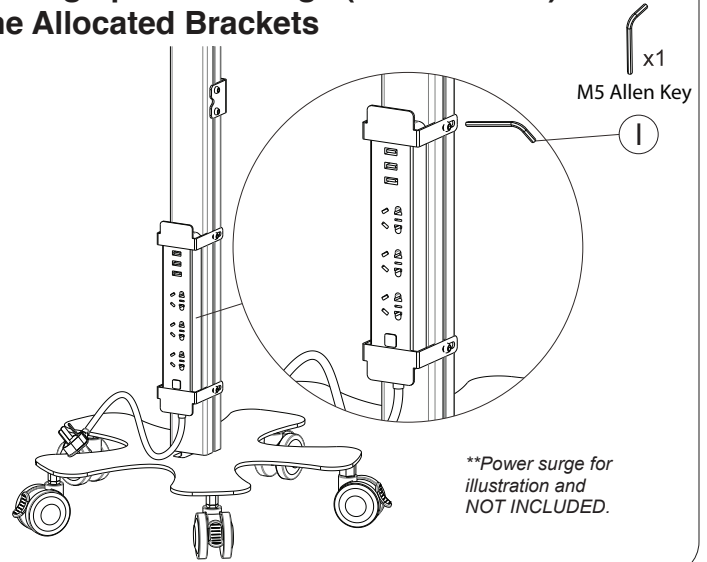


4. Setting up Basket



4A. Identify the metal plate around the center of the body. Align holes to the basket holes (B) as shown and rotate in screws (F) using provided tool (I) until securely tightened.

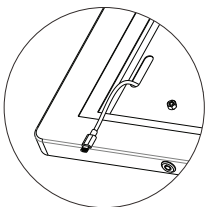
5. Setting up Power Surge (Not Included) in the Allocated Brackets



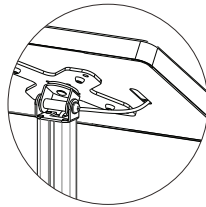
5A. Using provided tool (I), loosen brackets a bit but not too loose that they fall. Slide in power surge as shown. Push the bracket in towards the body, until tightly fitted against power surge. Next, tighten screws from side with tool (I) until securely tightened.

6. Setting up Cable Routing

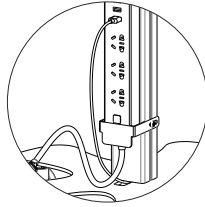
****Power surge for illustration and NOT INCLUDED.**



6A. Plug one end of the tablet cord into device, and route the other end through hole in the back as shown above.



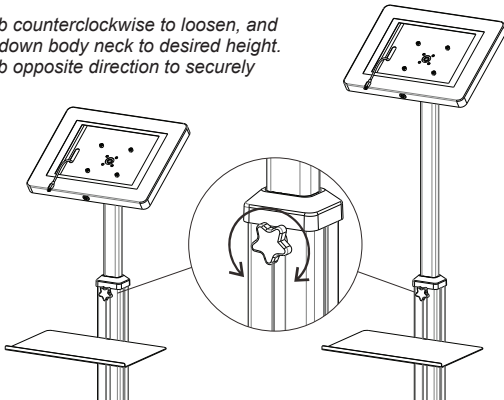
6B. Cable route from enclosure to the hole at the top of the body as shown above.



6C. Fish the cable through the entire body & out the bottom. Route through the opening in the base & plug to power surge as shown.

Adjusting Height

Rotate knob counterclockwise to loosen, and slide up or down body neck to desired height. Rotate knob opposite direction to securely tighten.



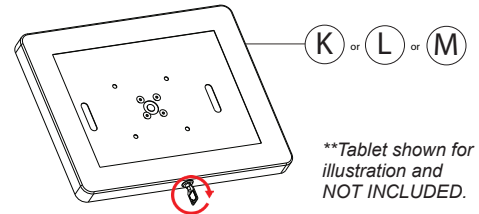
Adjusting Angles and Orientation

Tilt up/down for preferred angles as needed. Rotate left and right for preferred orientation.

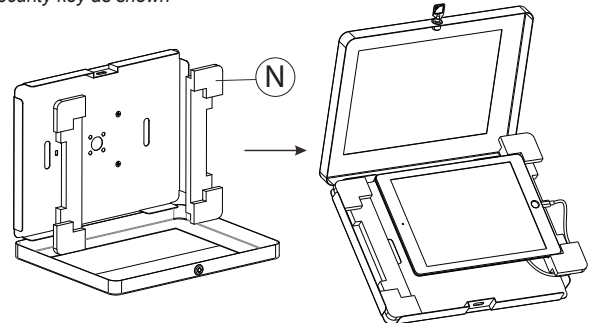


****Tablet shown for illustration and NOT INCLUDED.**

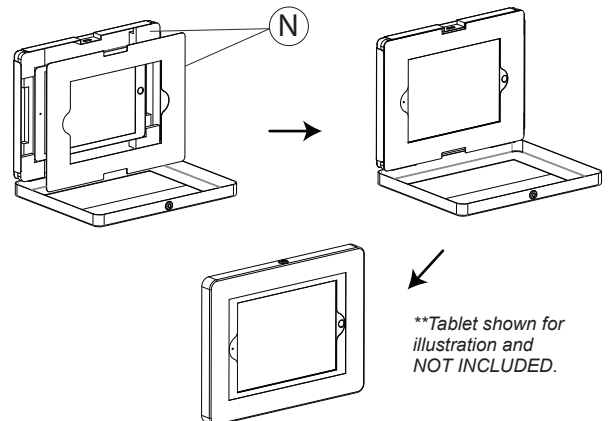
7. Setting up Device & Enclosure



7A. Lock or unlock your tablet enclosure (K, L, M) with security key as shown



7B. Find the appropriate size foam padding / sheet (N) for the tablet you wish to use. Make sure device is compatible for the enclosure. Lay in device and connect any cables/cords as needed.



7C. If needed, lay-in correct included masking insert. Close and lock enclosure afterwards and you're set

****Tablet shown for illustration and NOT INCLUDED.**