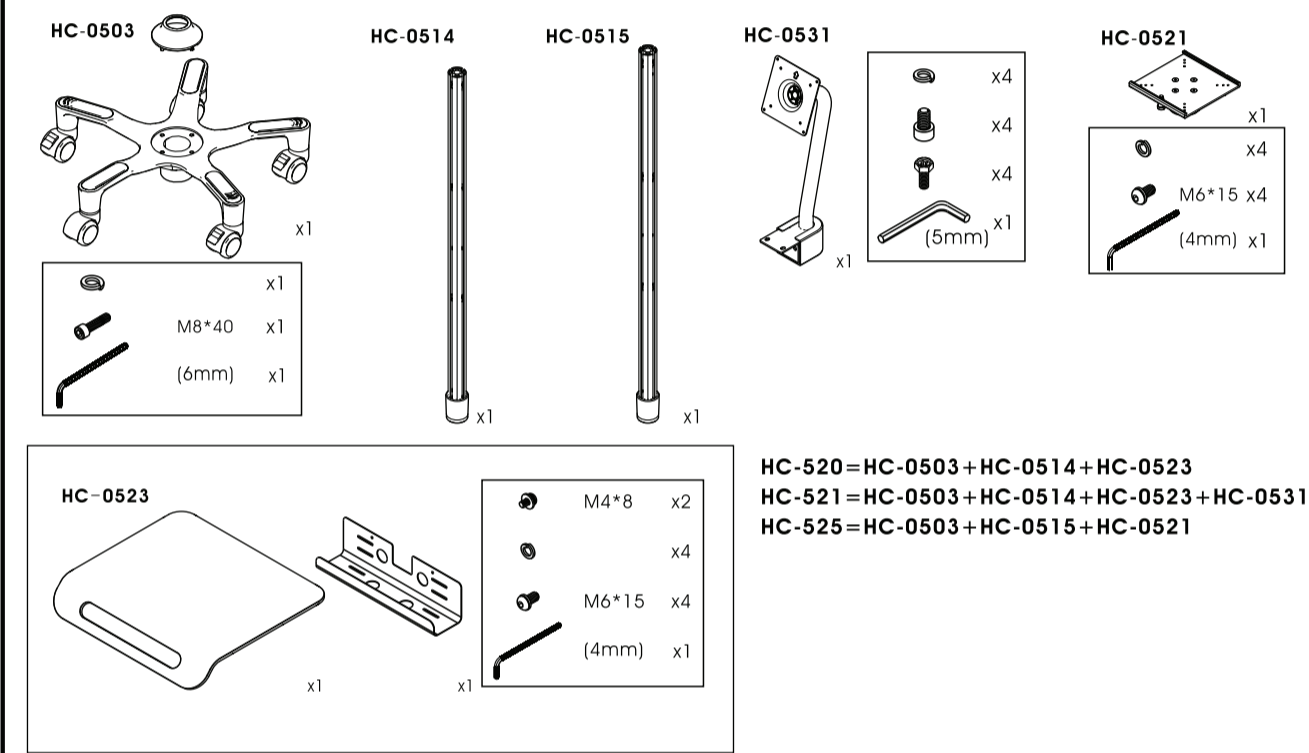




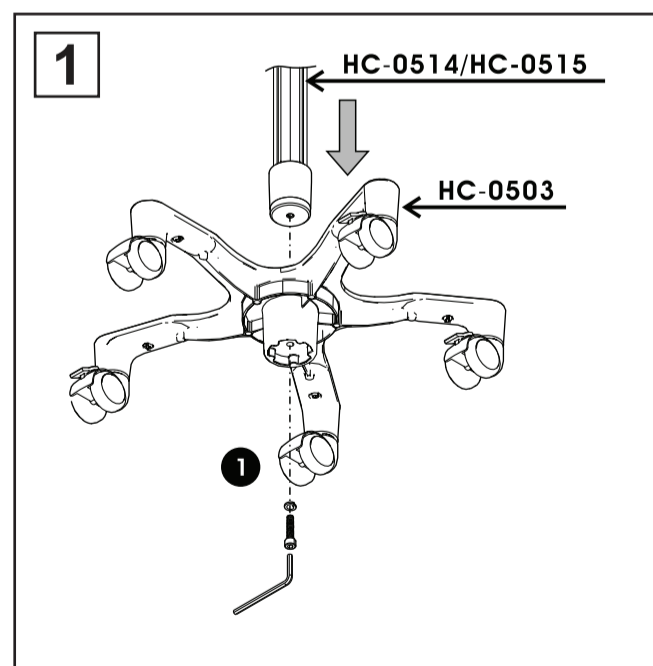
Medical Grade Anti-Microbial Floor Stand with VESA Compatibility PAD-MEDVFS INSTRUCTION MANUAL

Thank you for choosing CTA Digital's product. We hope that you will enjoy using it. Please follow the guidelines and instructions as laid out in this instruction manual.

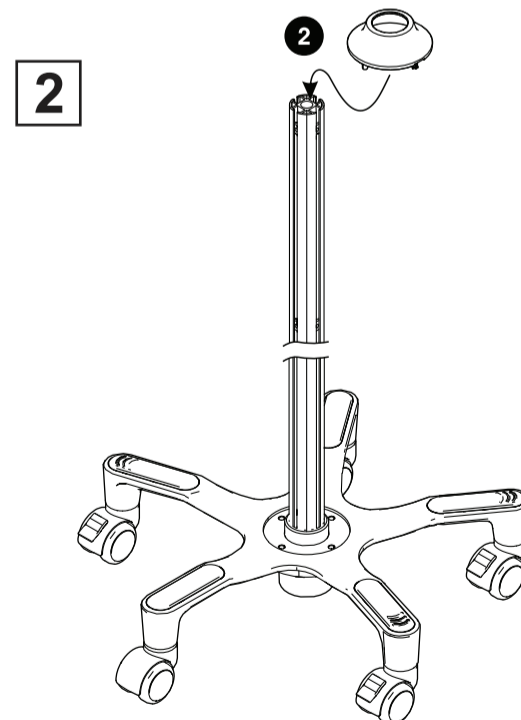
Package Contents:



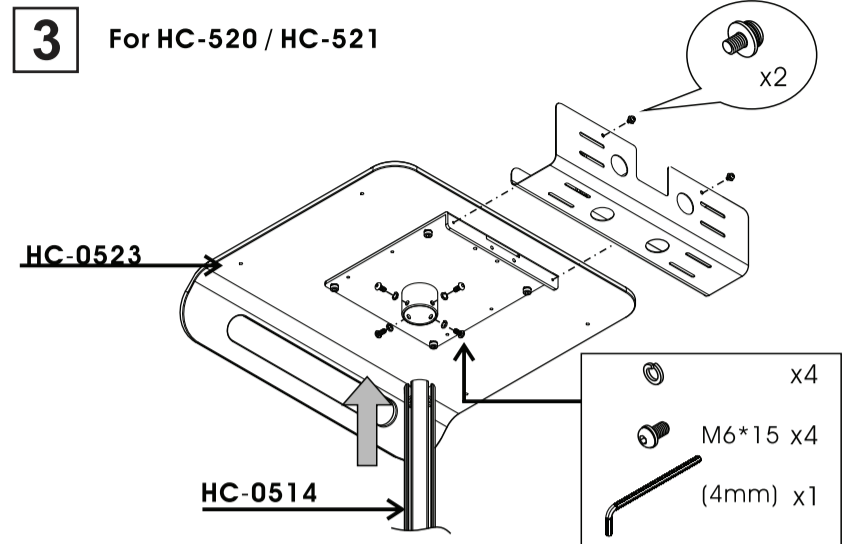
Instructions:



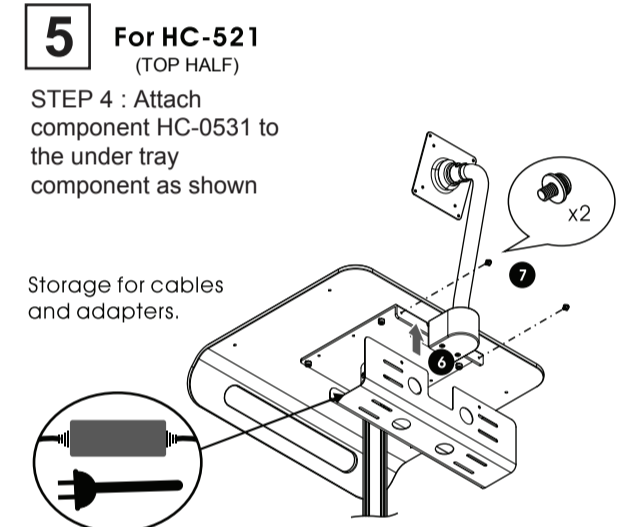
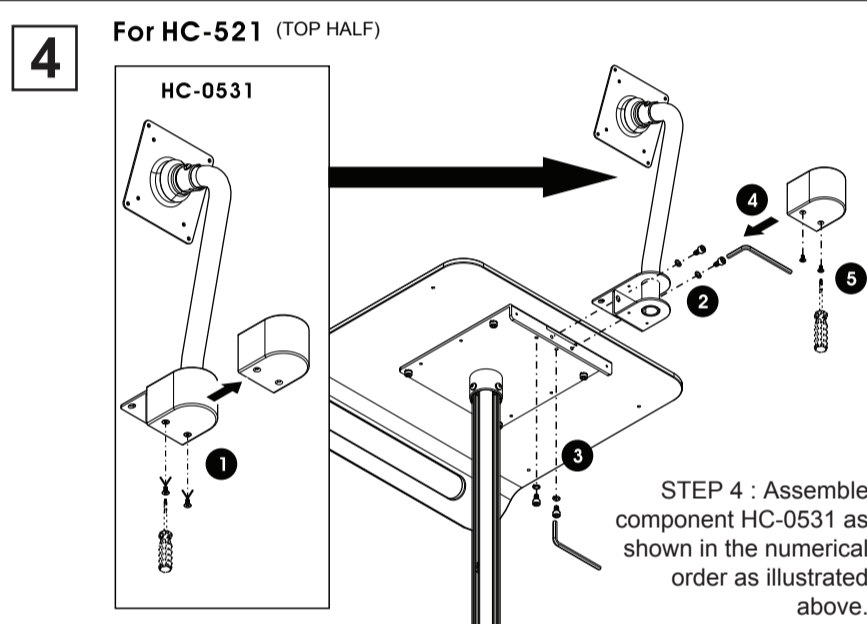
STEP 1: Place desired central pole body into the base and screw in the bolt/washer as shown with the included tools



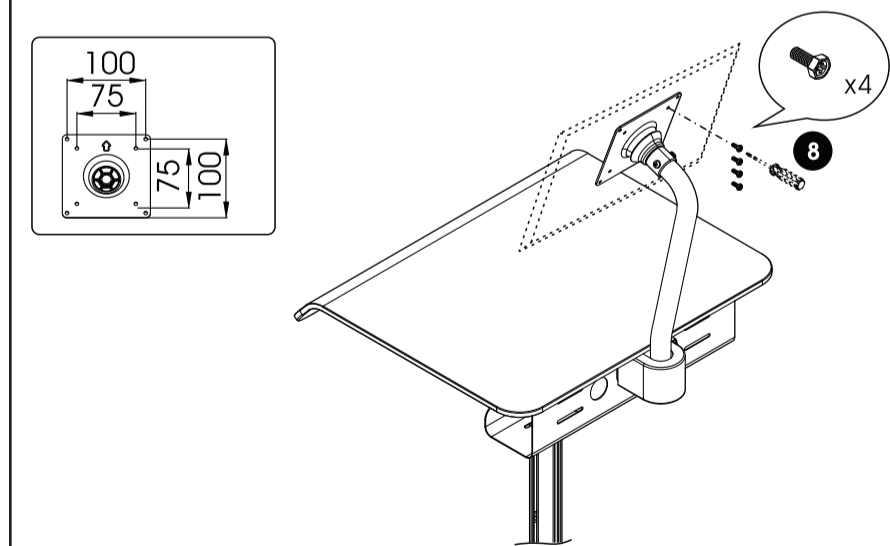
STEP 2: Slide in the component from the top as shown and bring it to the base and lock in.



STEP 3: Place component HC-0521 on the top of the pole body and screw in as shown. Attach HC0523 and screw in. Attach storage tray afterwards with tools as shown.

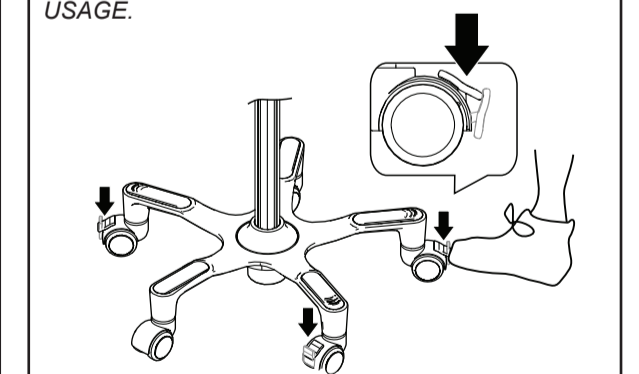


*HOW TO INSTALL VESA COMPATIBLE DEVICE TO VESA PLATE. (DEVICE NOT INCLUDED)



*HOW TO LOCK CASTERS IN PLACE TO ENABLE STATIC SETUP.

**DISCLAIMER - PLEASE DO NOT ATTEMPT TO ROLL FLOOR STAND WHEN IN BRAKED MODE. INTEGRITY MAY BE QUESTIONABLE AND CTA DIGITAL WILL NOT BE LIABLE FOR ANY SUCH USAGE.



WARNING
When the cart is in motionless, please brake the casters.

Caution
Please be sure to fasten all the screws securely before using. Failure to do so may compromise integrity.

SUPPORT@CTADIGITAL.COM