



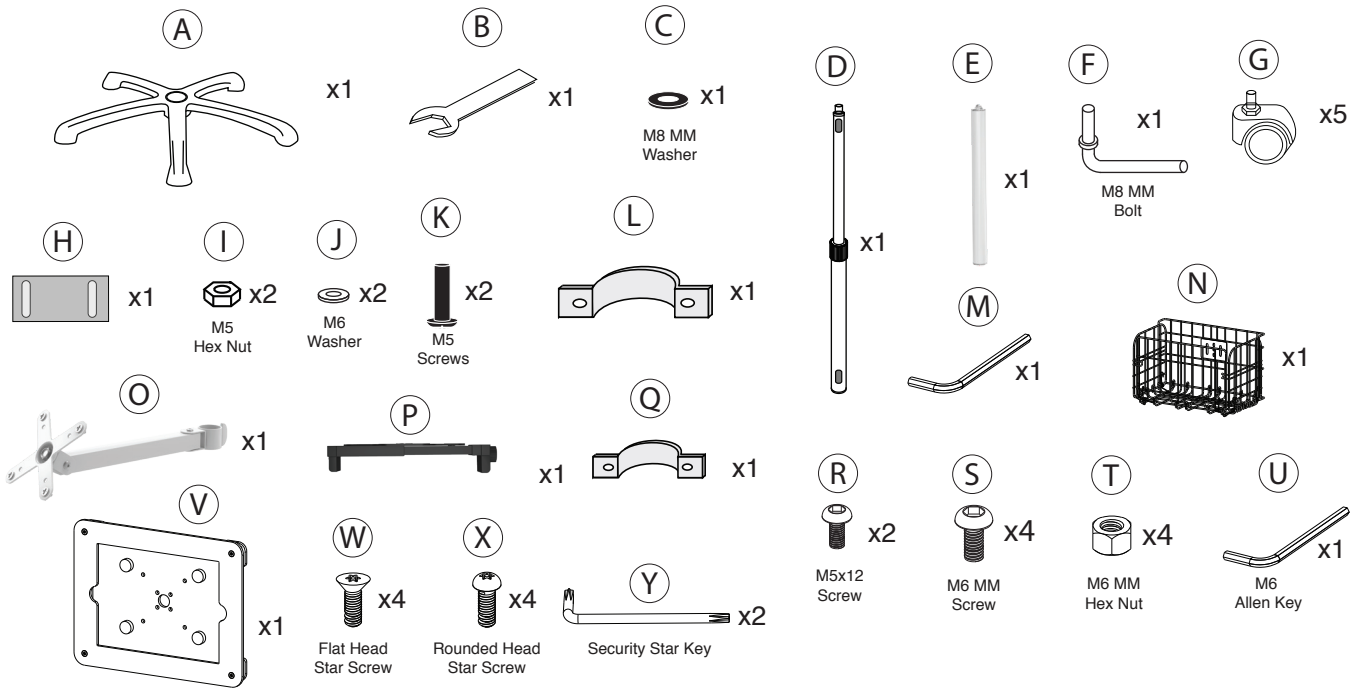
# Medical Rolling Cart with Articulating Arm & Accessories for iPad 10.2 Series, iPad Air 3, and iPad Pro 10.5

PAD-MCRFS

## INSTRUCTION - MANUAL

### CONTENTS:

\*\*COMPONENTS ARE NOT TO SCALE AND JUST GRAPHIC REPRESENTATIONS



### INSTALLATION:

#### 1. Attaching Wheels to Heavy Duty Base

**1A.** Take one wheel (G) and align it to the leg arm holes on the underneath of the base (A). Initially you can use your hands and manually rotate the wheel until slightly tightened. Then use the provided wrench tool (B) at the hex shaped area and rotate it securely to tighten the rest of the way.

**1B.** Press the wheel lever up or down to place wheels in locked or unlocked mode depending if you want to be in a mobile or stationary setup. Make sure you adjust all wheels at the same time or it won't properly be set up.

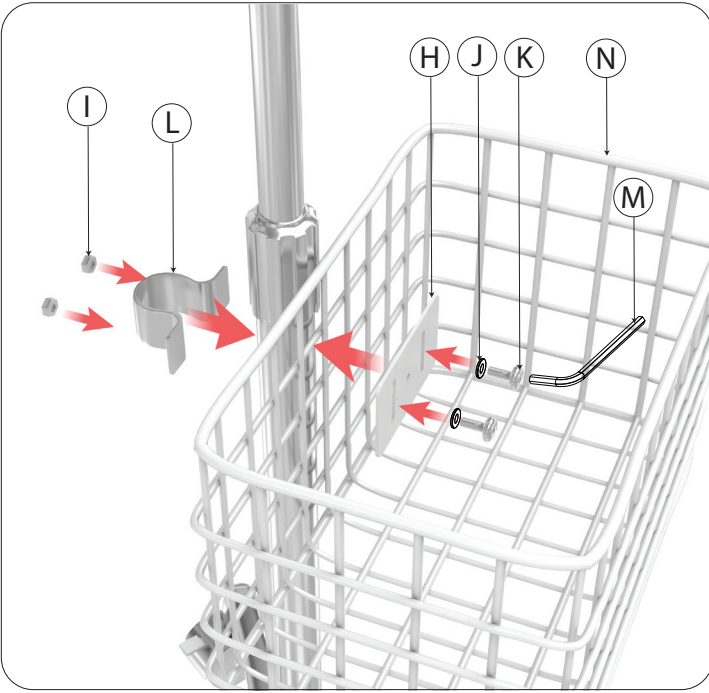
#### 2. Attaching Base to Body

**2A.** Align the bottom of pole body (D) to the top center of the base (A). While pieces are connected, securely flip over so you can see the bottom. Align washer (C) to the hole on the bottom. Using your hands, identify L-shaped component (F) and rotate through the washer into the hole until securely tightened. Pole body and base should now be securely attached to each other.

#### 3. Cable Routing through Body

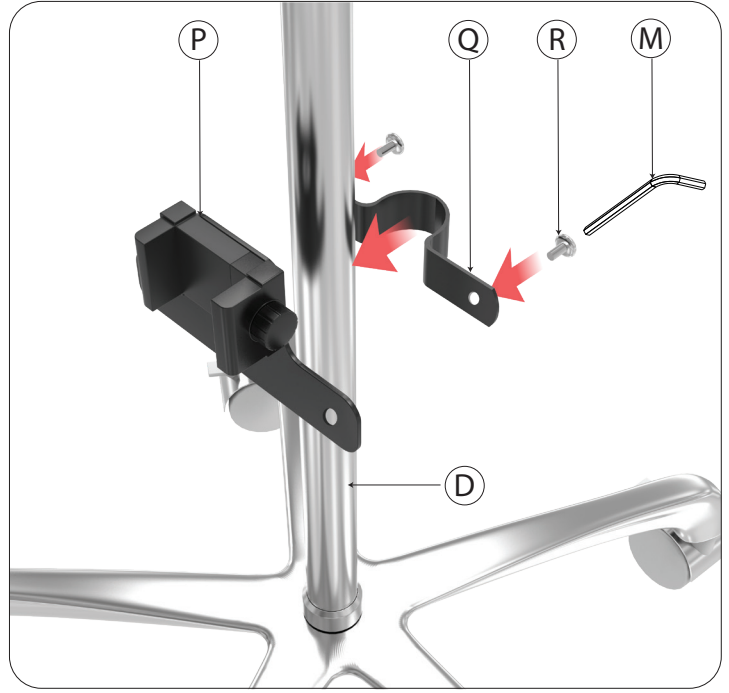
- Set the pole to the lowest position. Insert cable head through the bottom opening of pole and push upward.
- Fish the cable to the opening at the top and take cable end and pull out of opening.
- Carefully pull the cable out and connect end to device.

## 4. Attaching Basket to Pole Body



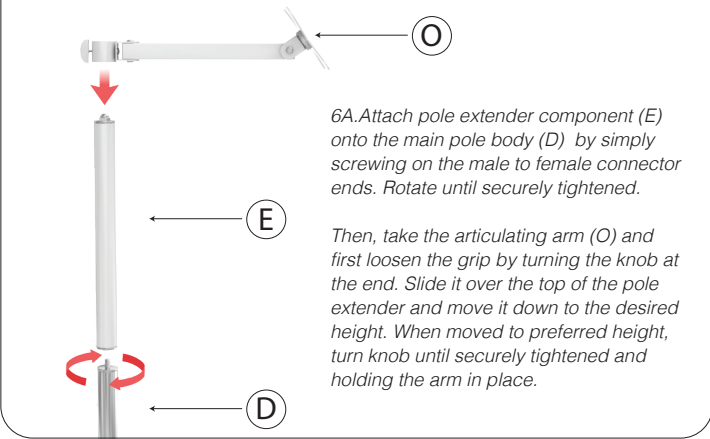
4A. Find the portion of the pole body beneath the tightening knob in the center to begin mount as illustrated. Position the basket (N) first, then sandwich the U-clamp (L) from behind and the metal plate (H) from within the basket. Insert and rotate in the screw (K) with washer (J) while holding the hex nuts from behind (I) with your hands. Rotate the screw using provided tool (M) until securely tightened. It may be easier to start the installation at the very bottom of the pole body where the basket can rest of the base (A). When everything is semi-tight, slide the entire installation upwards towards the desired location, then continue to tighten everything until securely fastened.

## 5. Attaching Power Strip Holder to Pole Body



5A. Find the power strip holder component and first remove the screws with provided tool (M). Take the two halves (P+Q) and wrap them around the body pole as illustrated above. Using the provided tool (M), rotate the screw until securely tightened. No hex nuts are needed because the holder is threaded and will hold the tightened screw.

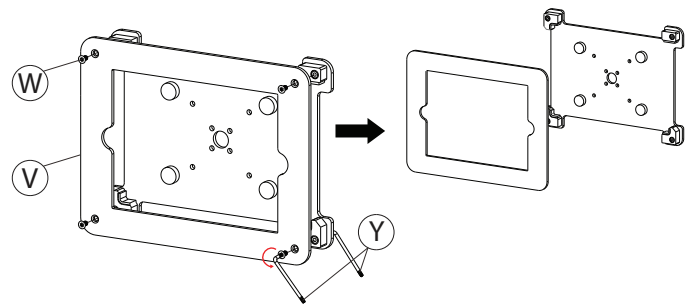
## 6. Attaching Pole Extender & Articulating Arm



6A. Attach pole extender component (E) onto the main pole body (D) by simply screwing on the male to female connector ends. Rotate until securely tightened.

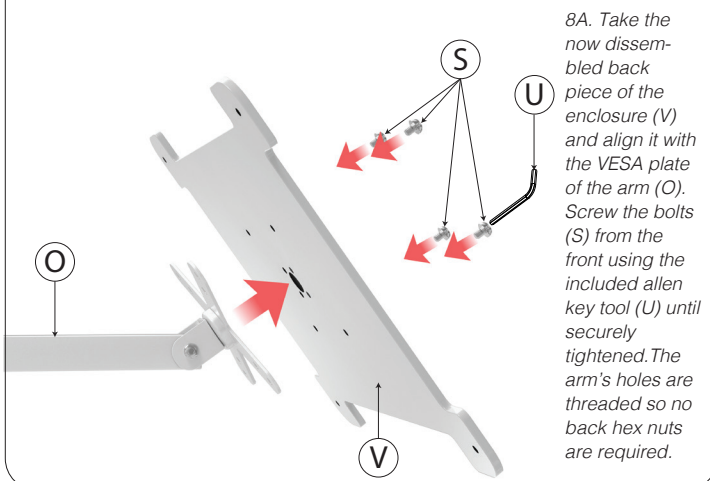
Then, take the articulating arm (O) and first loosen the grip by turning the knob at the end. Slide it over the top of the pole extender and move it down to the desired height. When moved to preferred height, turn knob until securely tightened and holding the arm in place.

## 7. Removing Enclosure Top



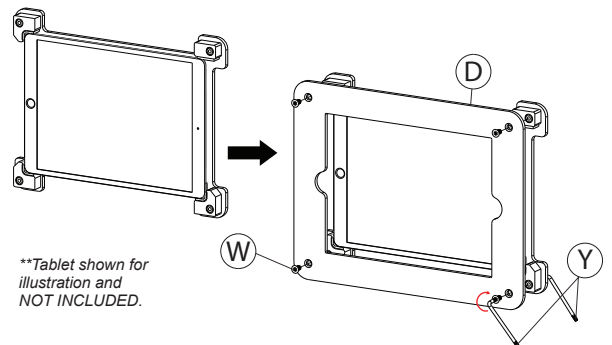
7A. Align the (2) security star keys (Y) and insert them through the front and back. While holding the back one, turn the front one (D) counter clock-wise until all (4) screws (W) are unscrewed. Separate front part of enclosure (V) as shown.

## 8. Attaching Enclosure to VESA Plate



8A. Take the now disassembled back piece of the enclosure (V) and align it with the VESA plate of the arm (O). Screw the bolts (S) from the front using the included allen key tool (U) until securely tightened. The arm's holes are threaded so no back hex nuts are required.

## 9. Inserting Tablet & Assembling Enclosure Top



\*\*Tablet shown for illustration and NOT INCLUDED.

9A. Insert the compatible tablet into the opened enclosure for a secure fit as shown. Take the detached enclosure top (V), and align the corner holes with the bottom portion. Use one of the provided security star key (D), and turn in clock-wise until securely tightened while holding the 2nd security star key (D) on the other side with your other hand. Screw in until securely tightened.