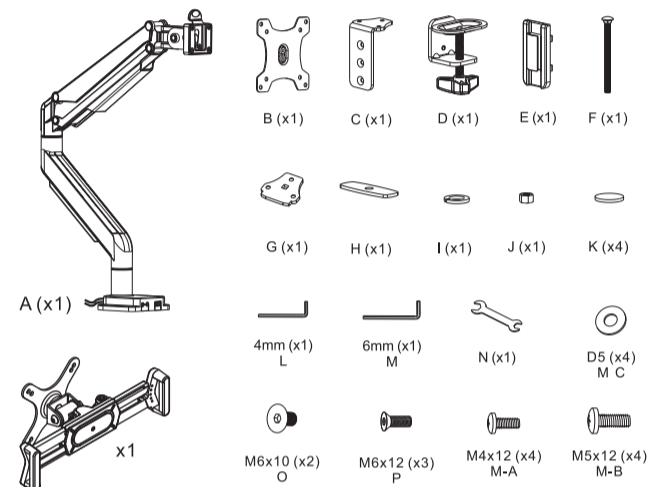




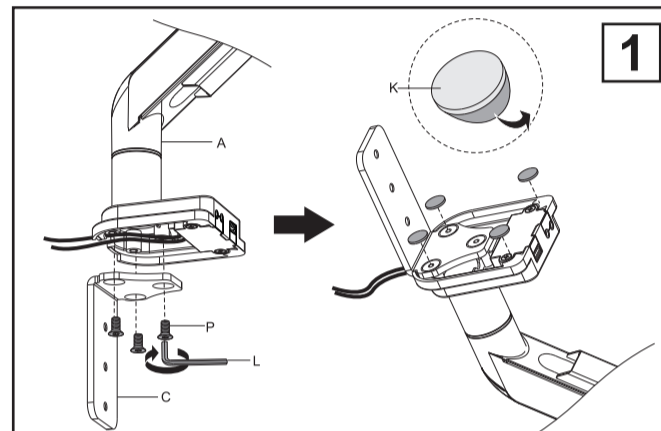
Security Clamp Mount with Universal Holder & Full Cable Management PAD-LTMUH2H INSTRUCTION MANUAL

Thank you for choosing CTA Digital's product. We hope that you will enjoy using it. Please follow the guidelines and instructions as laid out in this instruction manual.

Package Contents:



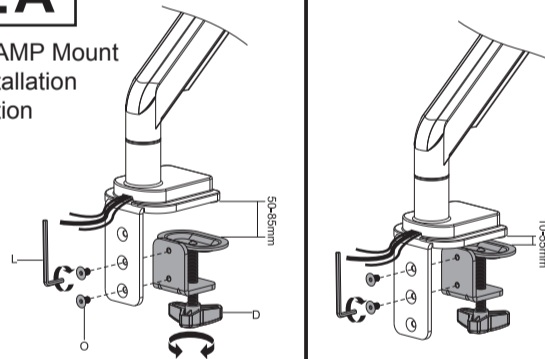
Instructions:



Setup mounting base as illustrated. Be sure to have all the wires pulled out before screwing on the mounting base.

2A

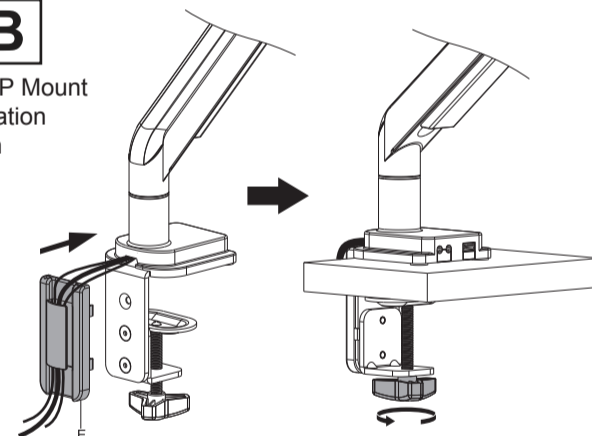
CLAMP Mount Installation Option



Attach component and clamp down on the table as illustrated. Make sure to route the wires onto the exterior hook feature to neatly route the wires as illustrated.

2B

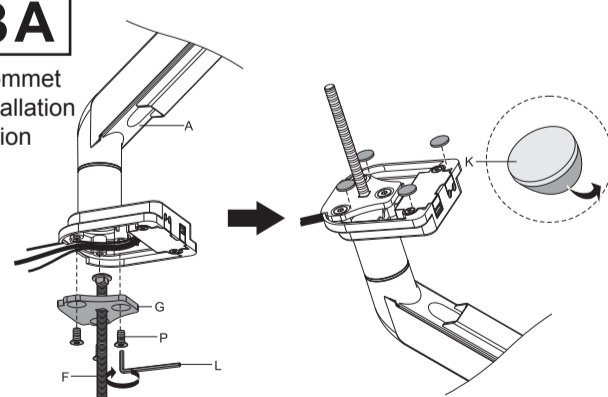
CLAMP Mount Installation Option



Attach component and clamp down on table as illustrated.

3A

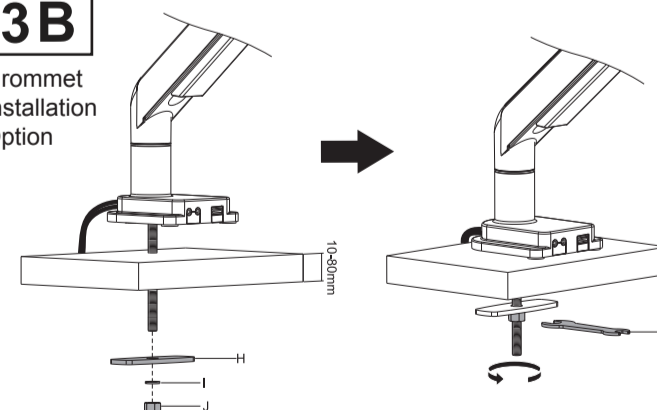
Grommet Installation Option



Attach grommet component as illustrated. Make sure to route the wires onto the exterior hook feature to neatly route the wires.

3B

Grommet Installation Option

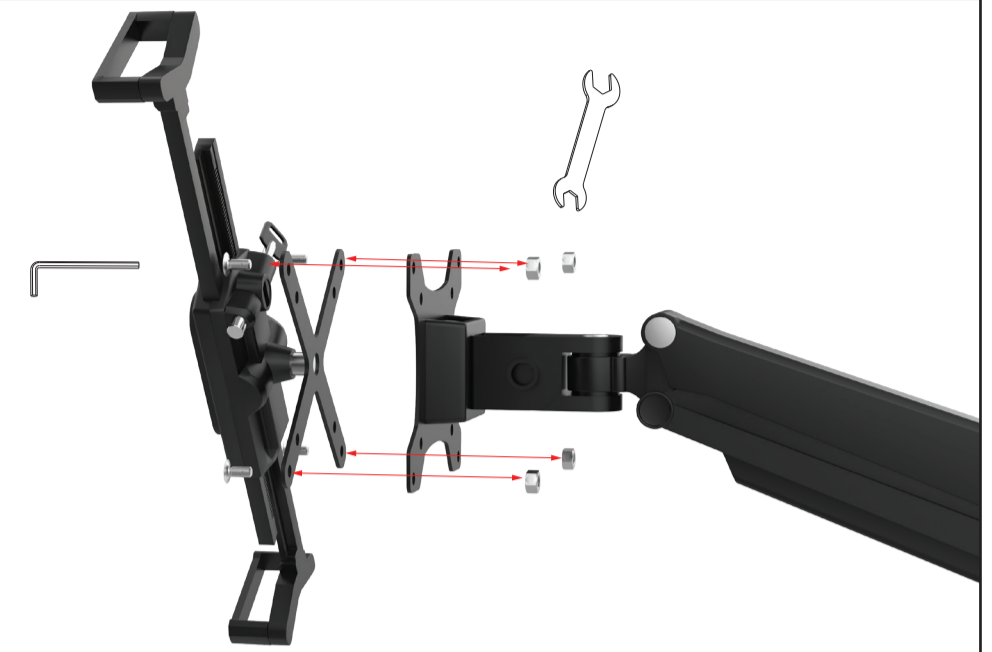


Attach grommet mounting to table/surface as illustrated.

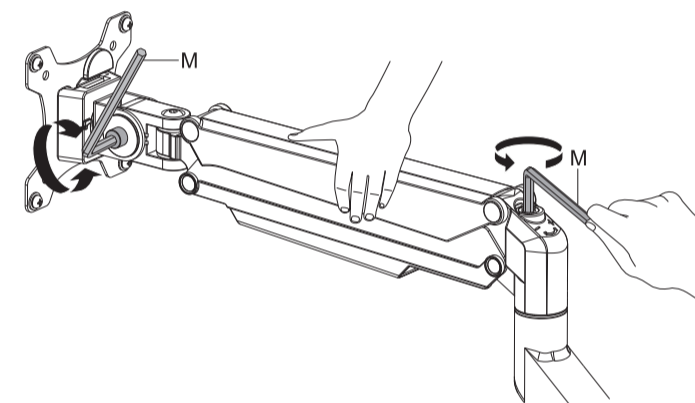
4

Holder Installation:

Screw in holder to the clamp mount VESA plate using the provided hardware and tools included. Hold the hex nut from behind with the wrench, and using the allen key, rotate in screw until securely fastened.

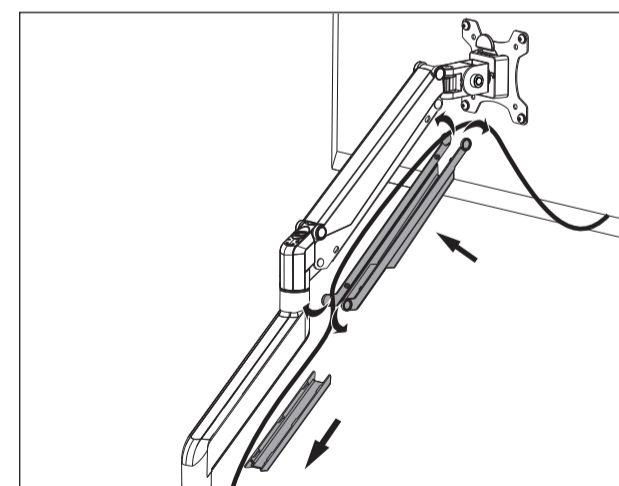
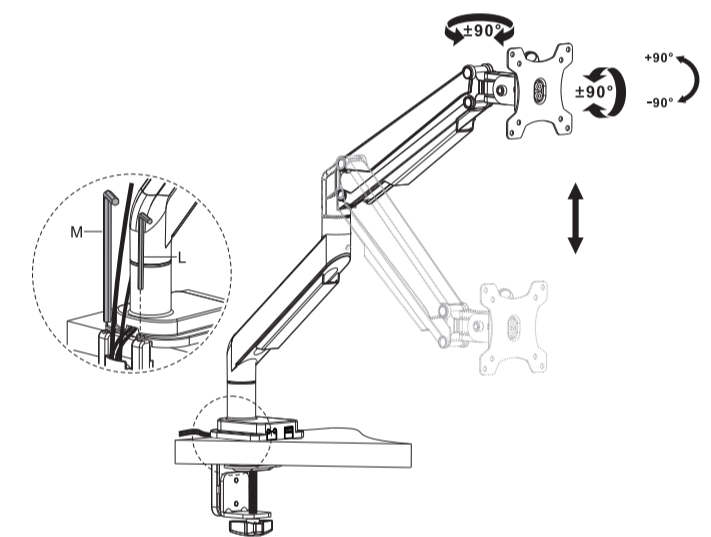


*HOW TO LOCK CLAMP ARM IN PLACE

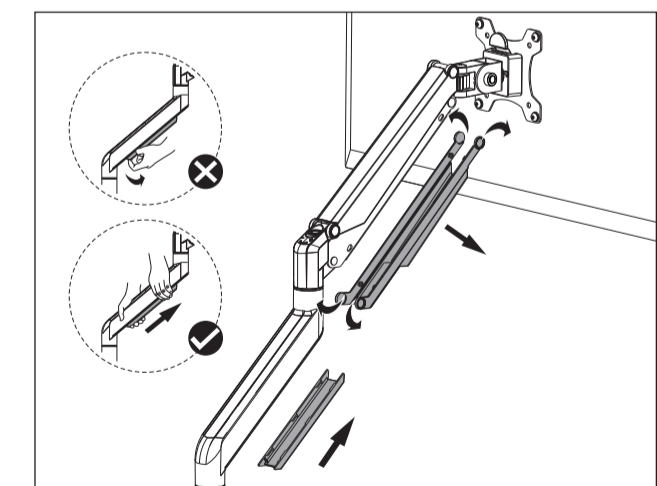


Use allen key as illustrated to lock arm in a static position

*HOW TO MAKE ADJUSTMENTS



*ATTACHING CABLE MANAGEMENT TRAY & CABLE ROUTING



*REMOVING CABLE MANAGEMENT TRAY



Caution

Please be sure to fasten all the screws securely before using. Failure to do so may compromise integrity.

SUPPORT@CTADIGITAL.COM