



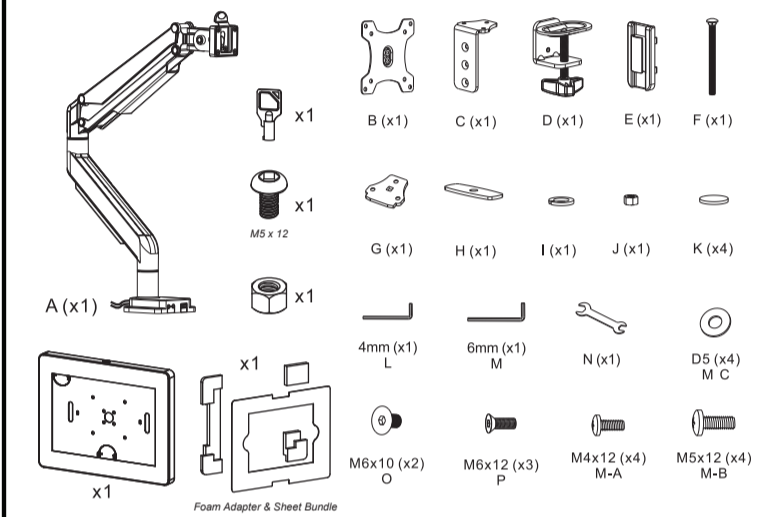
# Security Clamp Mount with Universal Security Enclosure & Full Cable Management

## PAD-LTMUH2E

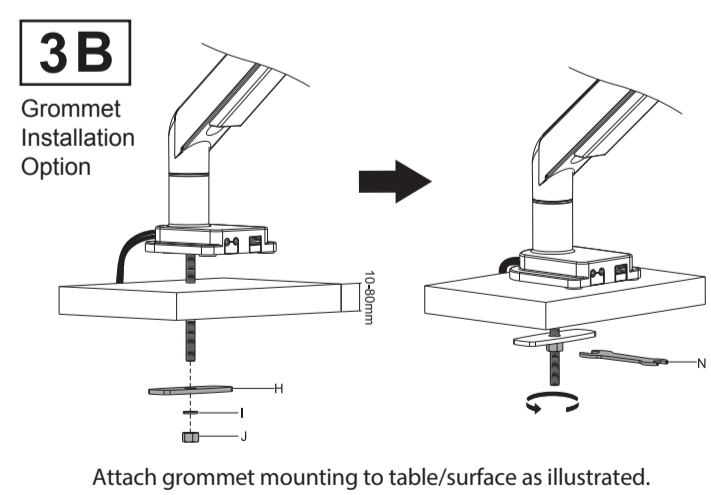
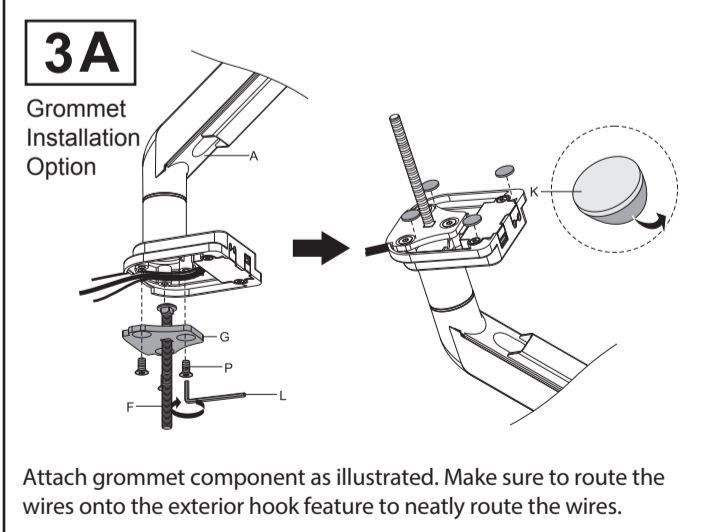
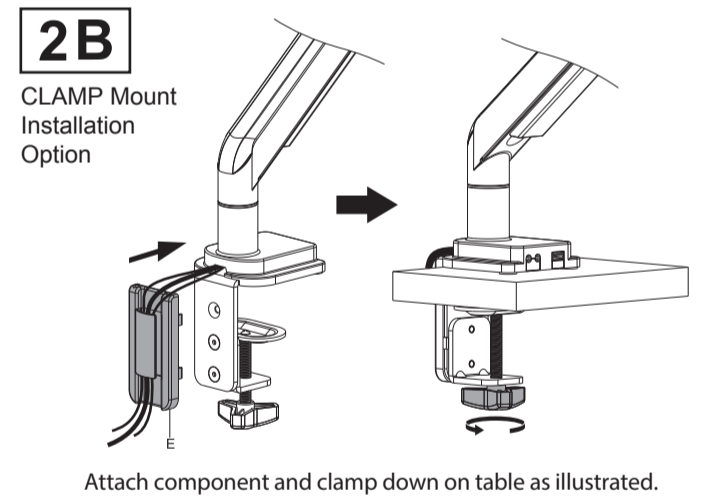
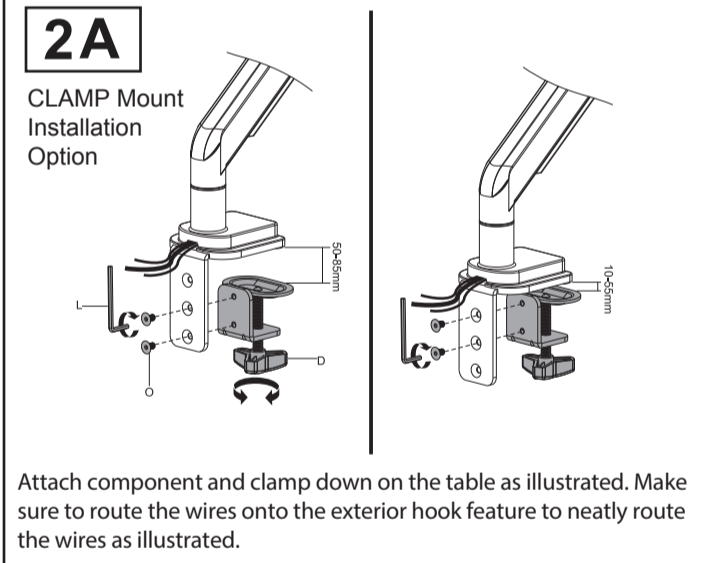
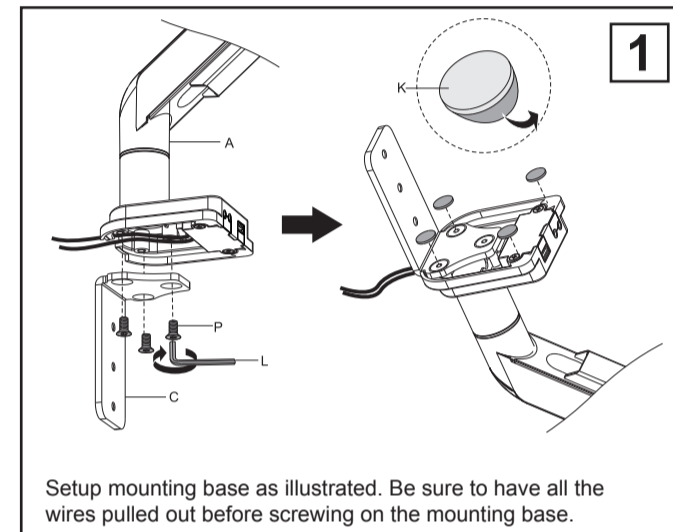
### INSTRUCTION MANUAL

Thank you for choosing CTA Digital's product. We hope that you will enjoy using it. Please follow the guidelines and instructions as laid out in this instruction manual.

#### Package Contents:



#### Instructions:



4

#### Enclosure Installation:

Screw in enclosure to the clamp mount VESA plate using the provided hardware and tools included. Hold the hex nut from the front with the wrench, and using the allen key, rotate in screw until securely fastened.

