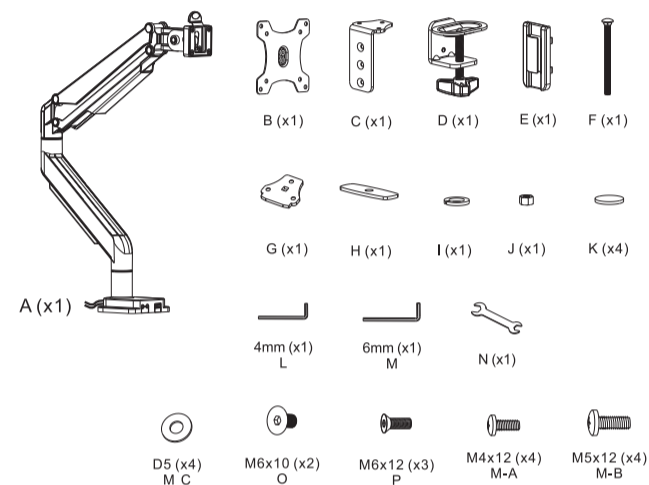




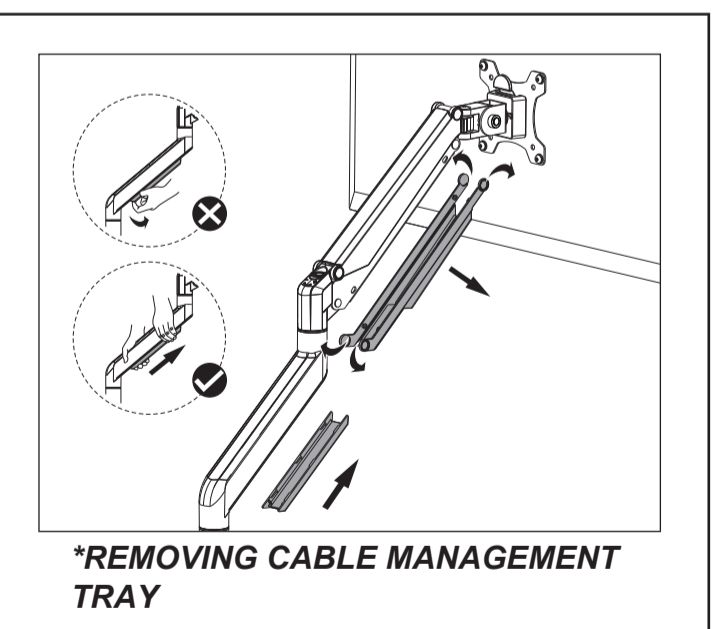
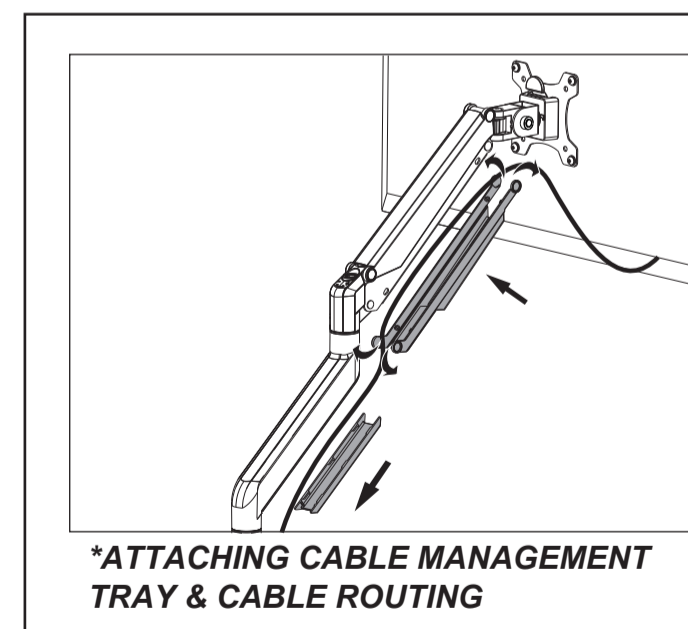
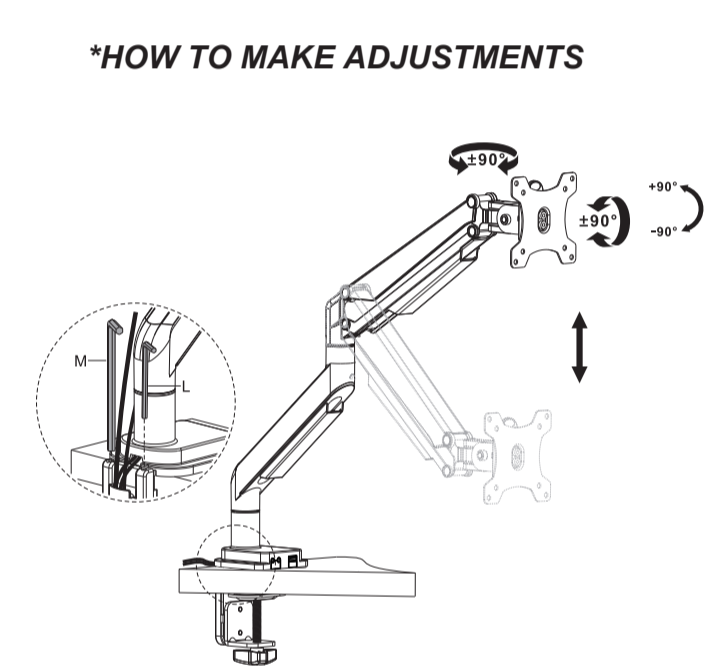
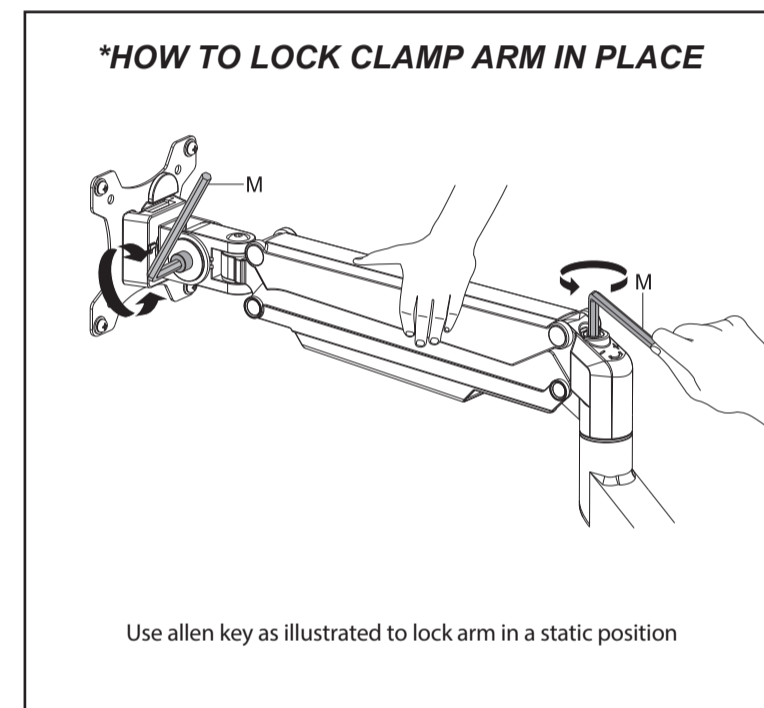
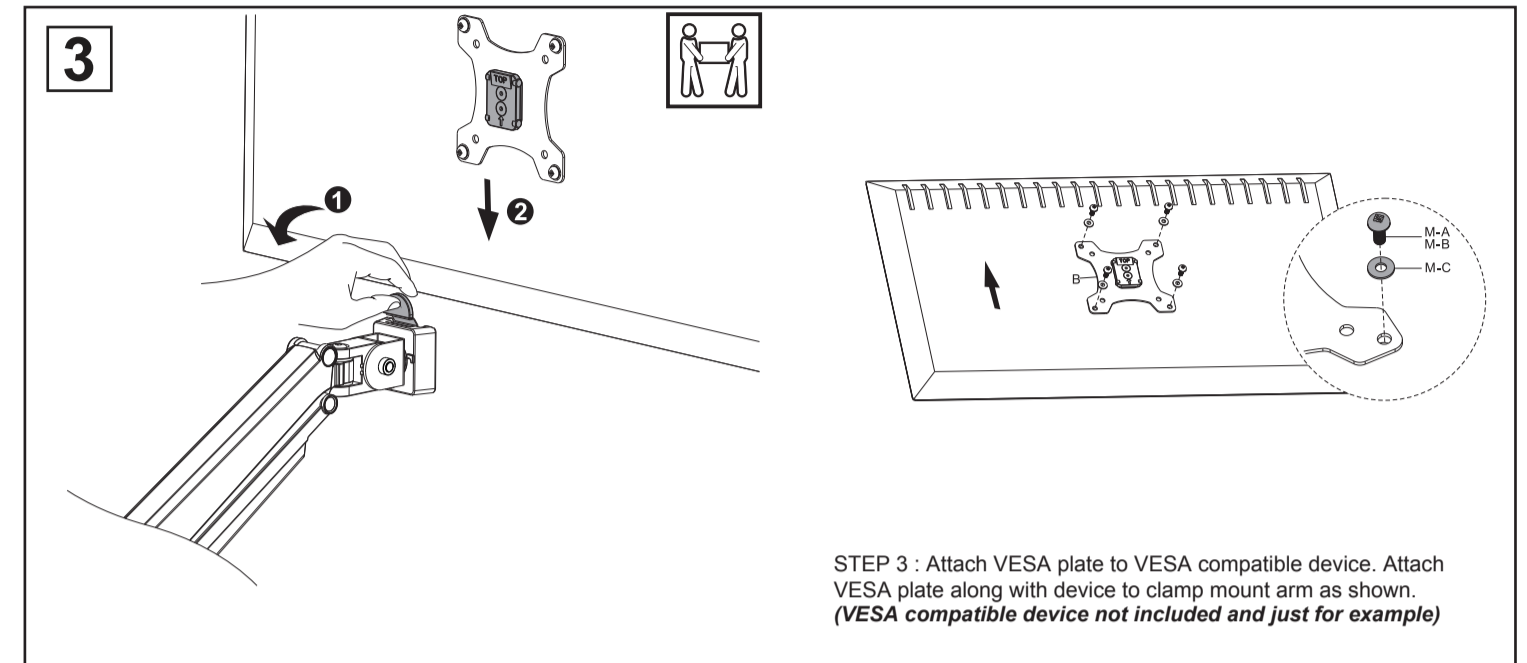
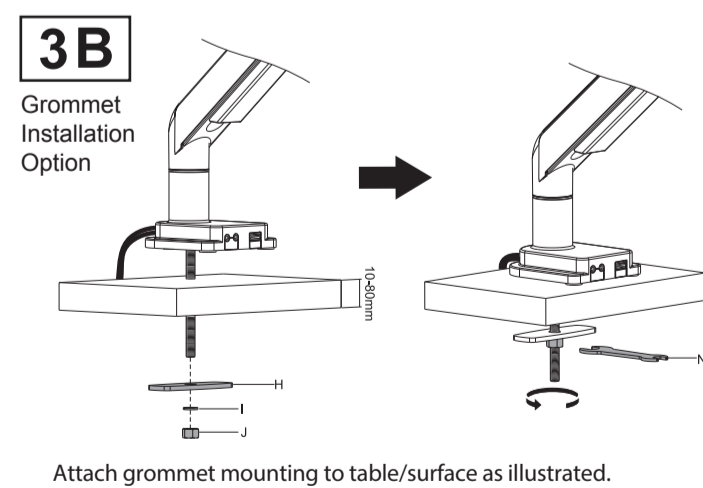
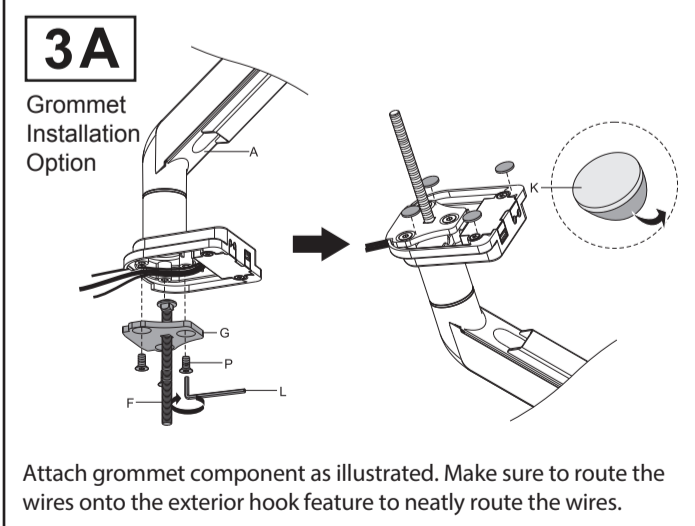
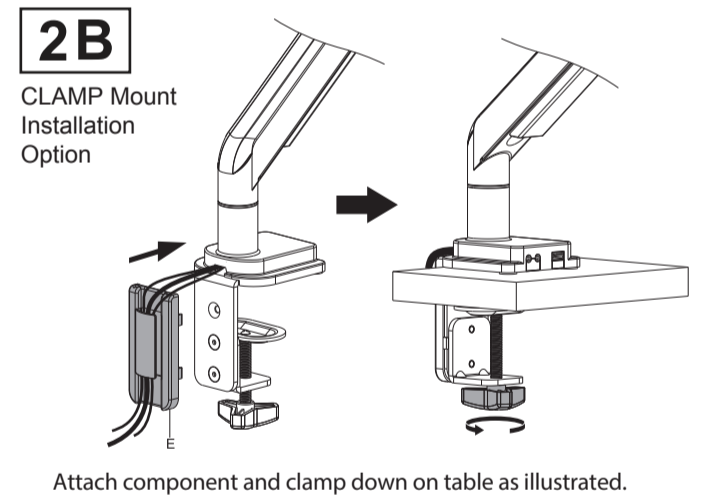
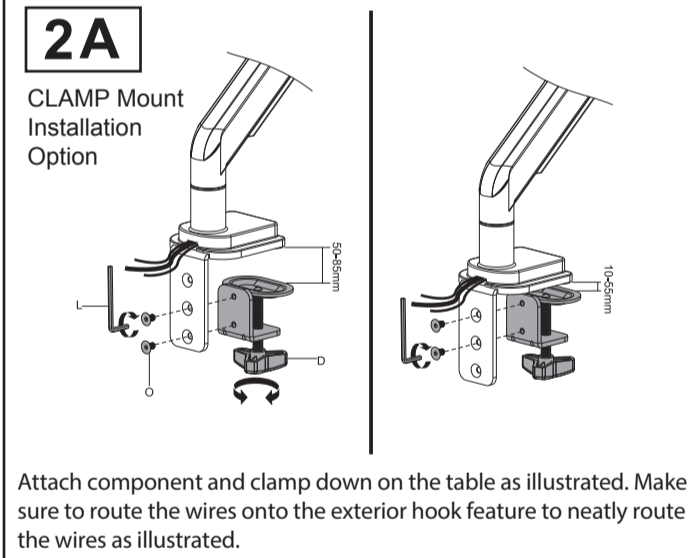
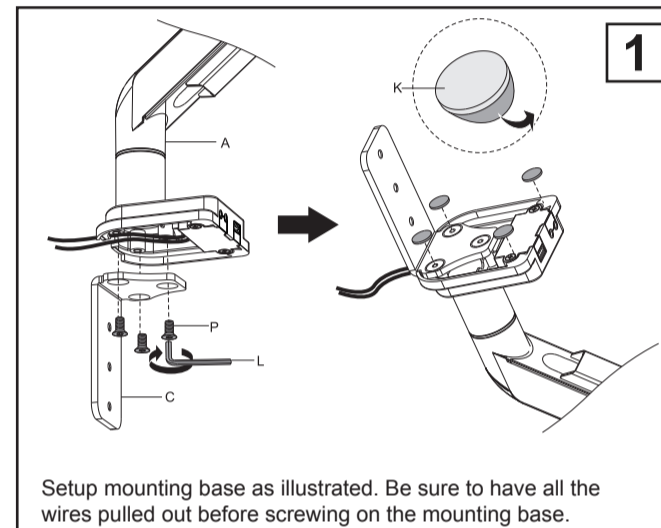
VESA Clamp Mount & Full Cable Management PAD-LTMUH2 INSTRUCTION MANUAL

Thank you for choosing CTA Digital's product. We hope that you will enjoy using it. Please follow the guidelines and instructions as laid out in this instruction manual.

Package Contents:



Instructions:



Caution
Please be sure to fasten all the screws securely before using. Failure to do so may compromise integrity.

SUPPORT@CTADIGITAL.COM