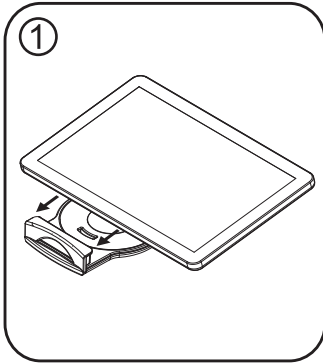


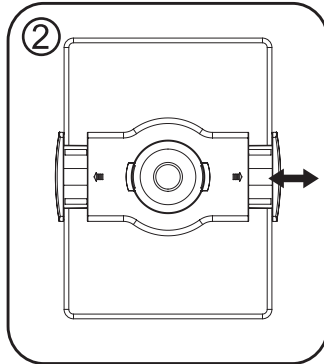


Universal Locking Tablet Mounting Clamp

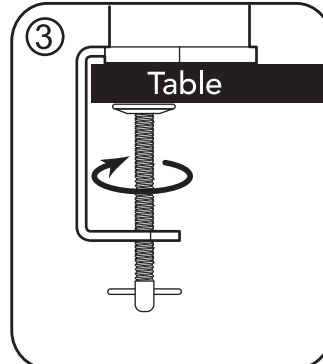
PAD-LTM



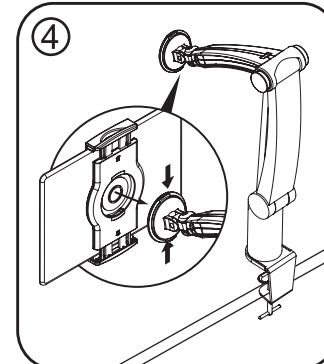
① Place tablet on one side of bracket



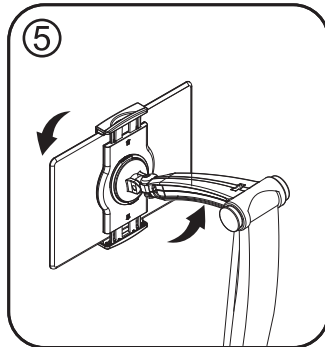
② Pull open the bracket over the tablet and release



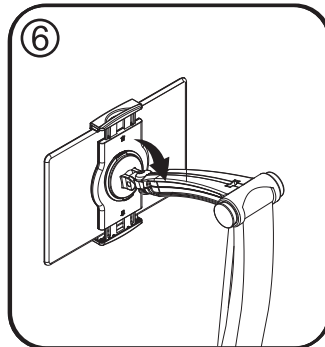
③ Turn the knobs on the C-Clamp to secure the arm



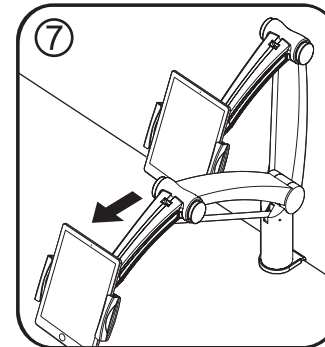
④ Press buttons together as shown, attach holder bracket, release buttons, and adjust tilt and orientation as preferred



⑤ Adjust vertical views and angle adjustments to preference as shown



⑥ Adjust horizontal views and angle adjustments to preference as shown



⑦ Loosen and tighten knob joints to extend/retract arm to preferred positions

Caution: Please ensure that tablet is securely fixed in.

