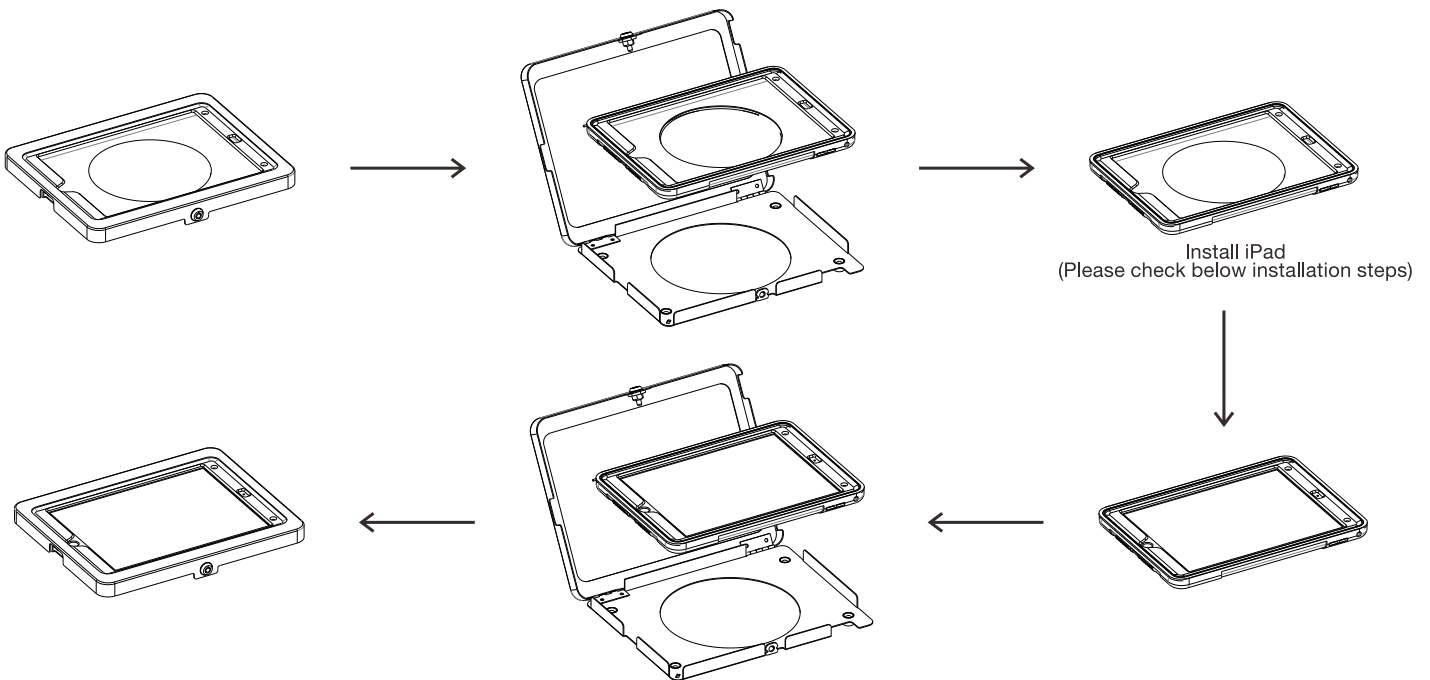




Kickstand Handgrip Case for iPad with Security Enclosure Jacket

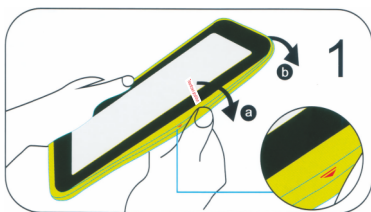
INSTRUCTION MANUAL

PAD-KHC9

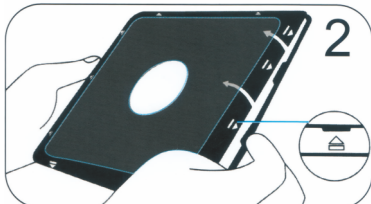


Install iPad
(Please check below installation steps)

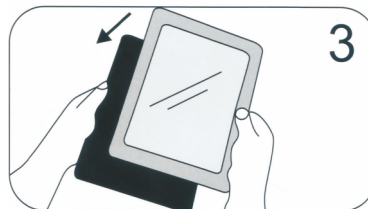
iPad Installations



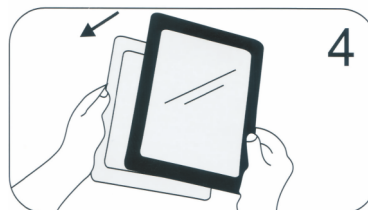
1 Remove the external silicone sleeve by peeling it away from the internal hard case.



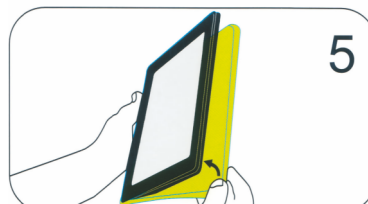
2 Gently apply pressure to the small clips (as indicated by the arrows) and unclip all four sides. Once all the sides are unclipped, the internal hard case will open.



3 Insert the iPad into the rear cover.

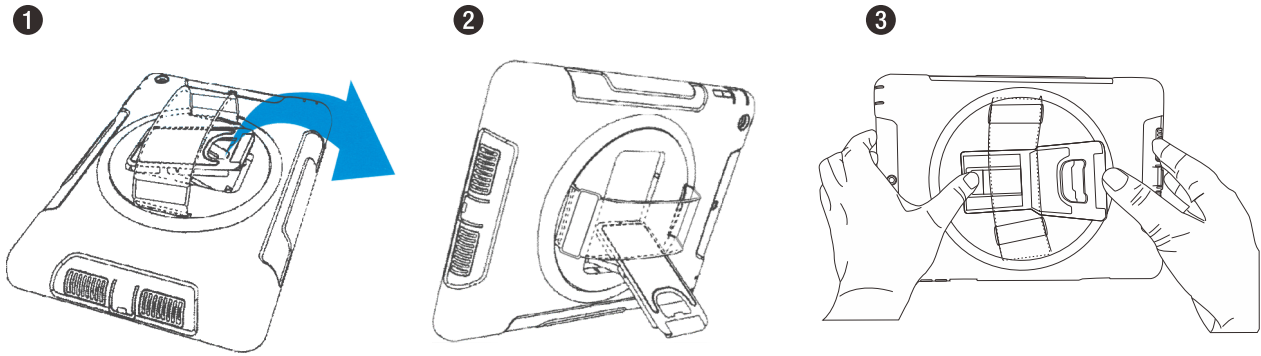


4 Once the iPad is inside the rear cover, place the internal front cover on top and gently clip all four sides into position.



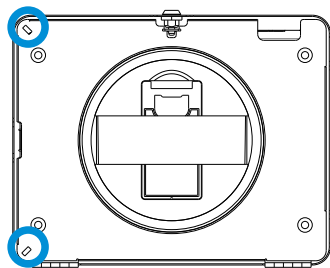
5 Reinstall the external silicone rubber sleeve.

Plastic case only. Tabletop or handheld

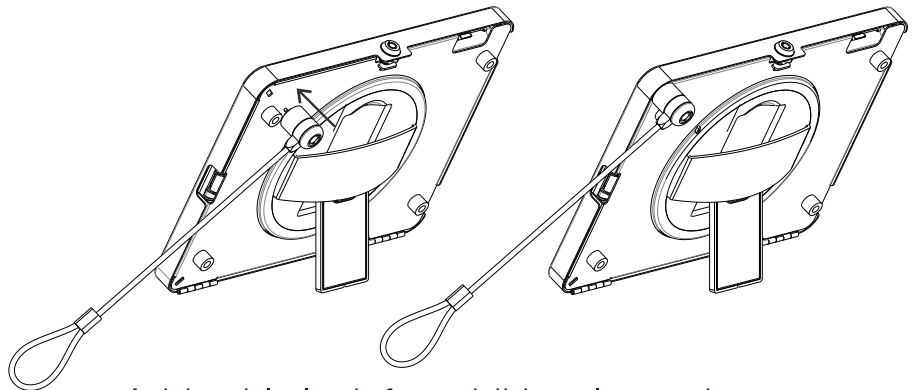


1. Locate kickstand at case rear and fold out underneath strap.
2. Display tablet at desired viewing angle.
3. Press kickstand back in to return to handheld mode.

Use with metal case. Tabletop or handheld



Kensington slot



Add cable lock for additional security

Use on wall

