

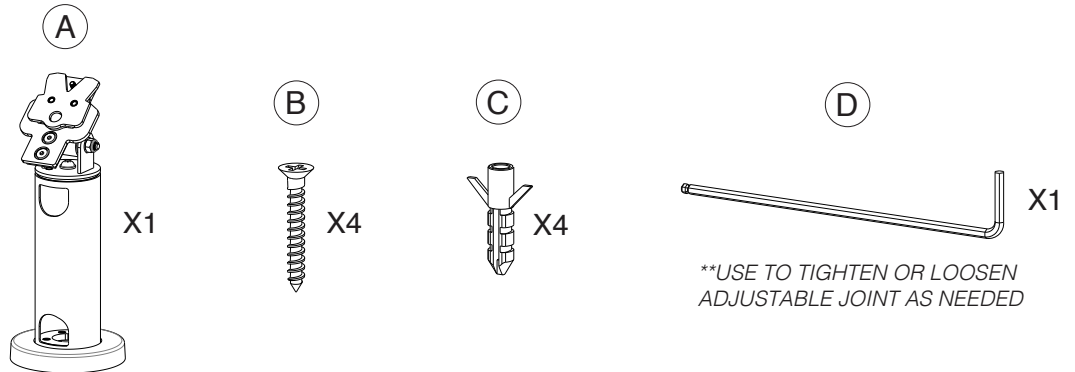


Card Reader Rotating Desk Mount for Ingenico Lane/3000/5000/7000/8000

PAD-INGENDM

INSTRUCTION MANUAL

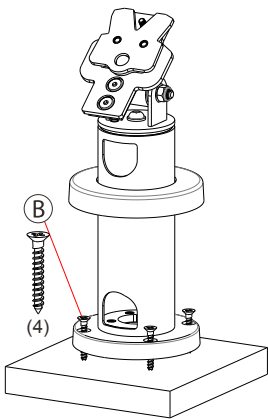
CONTENTS:



INSTALLATION:

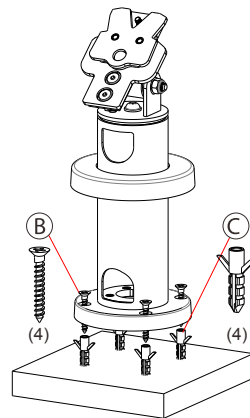
1. MOUNTING OPTIONS

Mounting on Table without Anchors



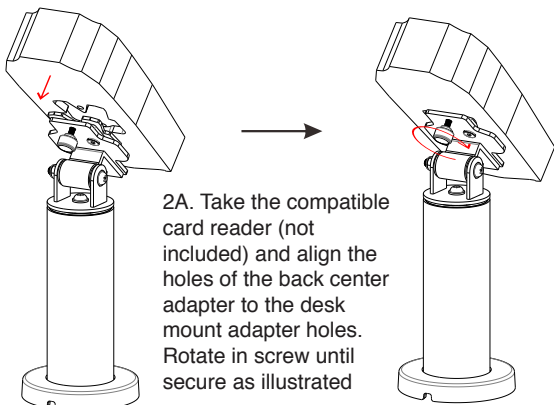
1A. Using a screwdriver (not included) rotate in (4) screws (B) through the base drill holes into the surface as illustrated, until securely fastened.

Mounting on Table with Anchors



1B. Insert (4) anchors (C) into pre-drilled holes in surface. Using a screwdriver (not included) rotate in (4) screws (B) through the base drill holes into the anchors in the surface until securely fastened.

2. Attaching Card Reader to Desk Mount



3. Cable Routing

3A. Locate the holes in the central kiosk core at the top top and bottom. Connect one end of wire to your device. Fish it through the top hole and then out the bottom. Connect other end to the designated end power source.

