



# Wireless Charging Case and Docking Station Wall Mount

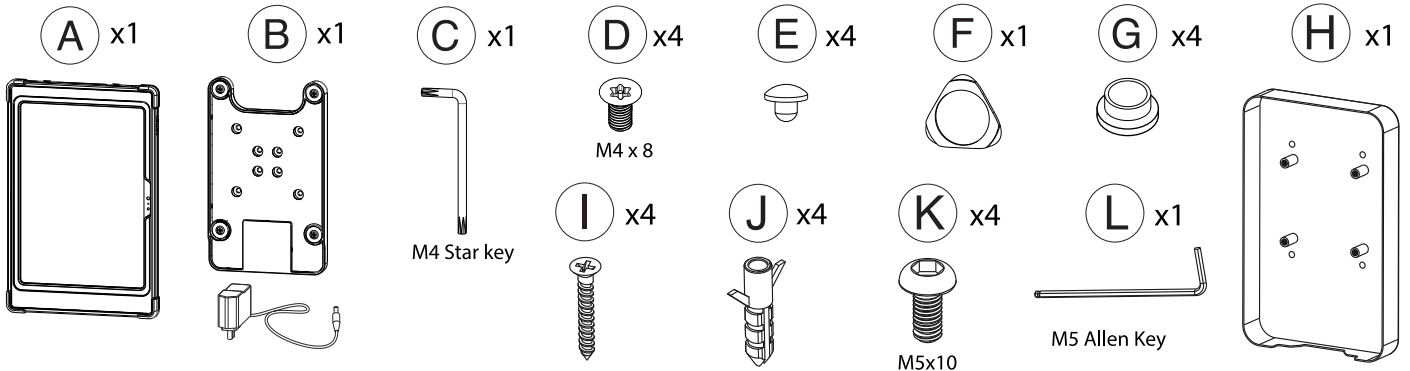
PAD-ICCWALL109

**Caution:** For proper results, please make sure your device is properly aligned with the inductive charging plate.

**Caution:** Please do not place or store the product on or near high-temperature areas like heating devices, open flame, or in hot cars in extreme heat.

**Caution:** Please do not place or store the product in or near water, steam, or in any wet, humid, or damp places.

## CONTENTS:



### Power Supply:

Input : AC 100-240V 50/60Hz  
 Output: DC12V 1.5A  
 Rating power:18W  
 Cable Length:1.8M  
 DC Plug: 5.5\*2.1mm male DC Plug

### Inductive Charging Case:

Qi Standard: V1.2.4  
 Input: DC12V 1.3A  
 Output: DC5V 2.4A(Max.)  
 Rating Power: 15W  
 Efficiency: 80-85%(Max.)  
 Inductive Distance:3-6mm

Input Socket: 5.5\*2.1mm female DC socket

Output Plug:Apple Lightning Plug

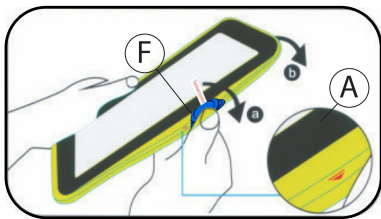
Charging Time :4-4.5 hours)

### Environmental Requirements:

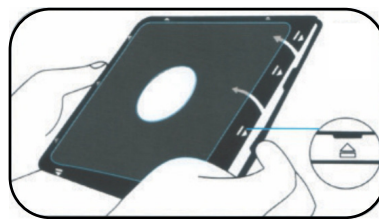
Operating Temperature for iPad: 32°F to 95°F / 0°C to 35°C  
 Nonoperating Temperature: -4°F to 113°F / -20°C to 45°C

## INSTALLATION:

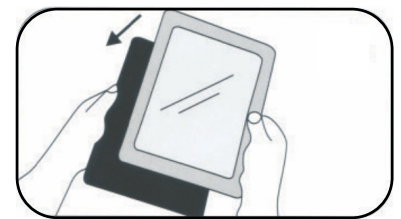
### 1. Inserting Tablet into case



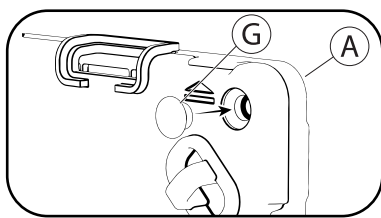
1A. Peel the external silicone sleeve from the internal hard case using component (F).



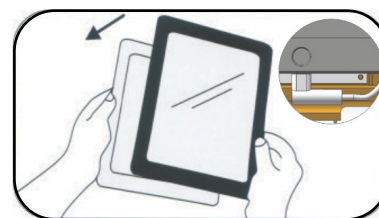
1B. To open case, apply gentle pressure to the small clips (noted on the diagram by arrows). The internal hard case will open when all four sides are unclipped.



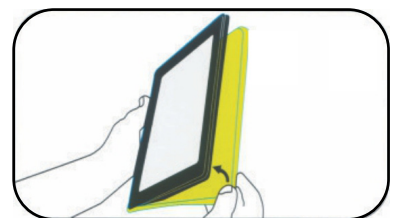
1C. Insert the iPad into the back portion of the hard cover.



1D. Find corner plugs (G), and insert them firmly in the the corners to complete this phase of installation.

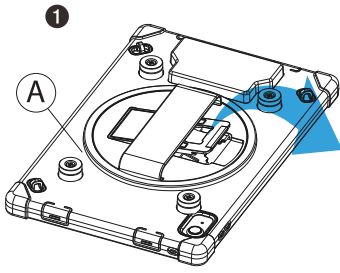


1E. Once the tablet device is inside, plug the charging cable into the power socket. Then place the internal front (hard) cover on top of the case, and gently clip all four sides shut.

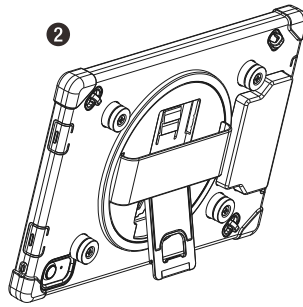


1F. Reinstall the external silicone rubber sleeve.

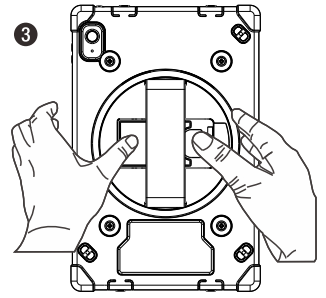
## 2. Setting the Cover in Tabletop or Handheld Mode



2A. Locate kickstand at case (A) rear and fold out underneath strap.



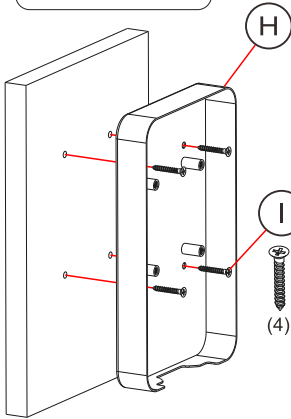
2B. Display tablet at desired viewing angle.



2C. Press kickstand in to return to handheld mode.

## 3. Mounting Wall adapter to Wall

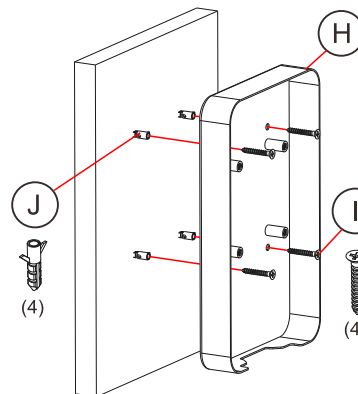
### No Anchors



3A. Predrill holes on wall in alignment to the mounting holes of the wall adapter using a drill tool (not included).

Take the wall mount adapter (H) and align the mounting holes with the predrilled holes on the wall. Rotate in four screws (I) using a screwdriver type tool (not included) until securely fastened.

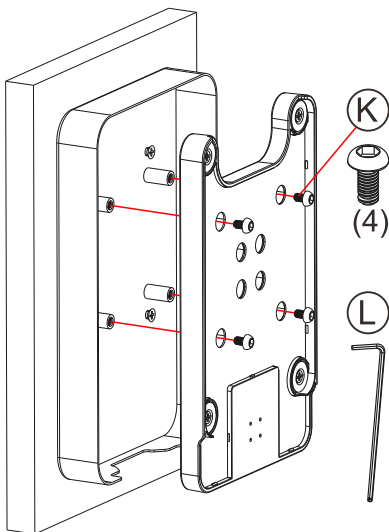
### With Anchors



3B. Predrill holes on wall in alignment to the mounting holes of the wall adapter using a drill tool (not included). Insert all four anchors (J) into the holes.

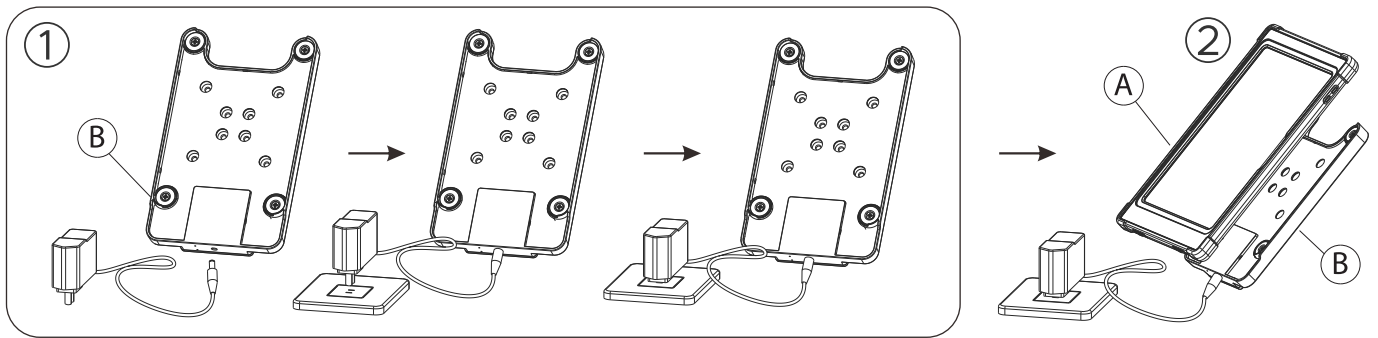
Take the wall mount adapter (H) and align the mounting holes with the predrilled holes with anchors on the wall. Rotate in four screws (I) using a screwdriver type tool (not included) until securely fastened.

## 4. When Attaching Induction Dock to Wall Mount Adapter

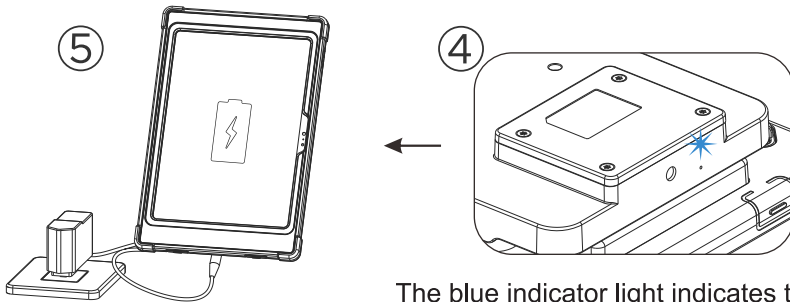


4A. Align the wall mount adapter (H) mounting holes to the mounting holes of the induction dock (K) as illustrated above. Then, rotate in four screws (k) from the top side using provided tool (l) until securely fastened.

## 5. Charging the Tablet Device



Connect the AC/DC power supply to the charging plate as shown above.



The blue indicator light indicates that the tablet device is properly connected to the inductive charging plate.

Make sure that the charging case and the back charging plate are aligned properly. You should see a blue indicator lighting up on the back of the charging plate.

5

There should be a power level indicator on the tablet screen.

