

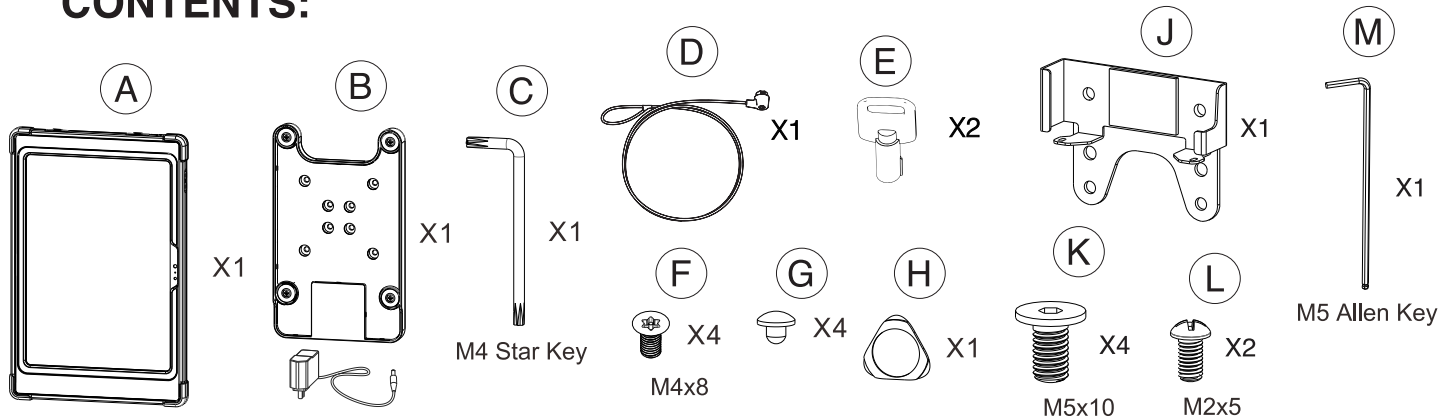


# Wireless Charging Case w/ Holder for Moby 5500 Card Reader for iPad 10th Generation 10.9"

PAD-IC109MOBY

**Caution:** For proper results, please make sure your device is properly aligned with the inductive charging plate.  
**Caution:** Please do not place or store the product on or near high-temperature areas like heating devices, open flame, or in hot cars in extreme heat.  
**Caution:** Please do not place or store the product in or near water, steam, or in any wet, humid, or damp places.

## CONTENTS:



### Power Supply:

Input : AC 100-240V 50/60Hz  
Output: DC12V 1.5A  
Rating power:18W  
Cable Length:1.8M  
DC Plug: 5.5\*2.1mm male DC Plug

### Inductive Charging Case:

Qi Standard: V1.2.4  
Input: DC12V 1.3A  
Output: DC5V 2.4A(Max.)  
Rating Power: 15W  
Efficiency: 80-85%(Max.)  
Inductive Distance:3-6mm

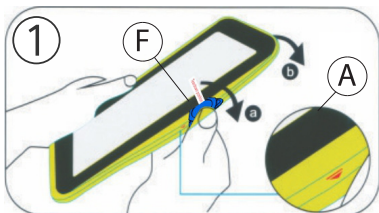
Input Socket: 5.5\*2.1mm female DC socket  
Output Plug:Apple Lightning Plug  
Charging Time :4-4.5 hours)

### Environmental Requirements:

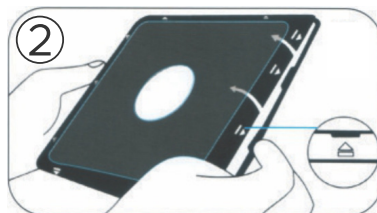
Operating Temperature for iPad: 32°F to 95°F / 0°C to 35°C  
Nonoperating Temperature: -4°F to 113°F / -20°C to 45°C

## INSTALLATION:

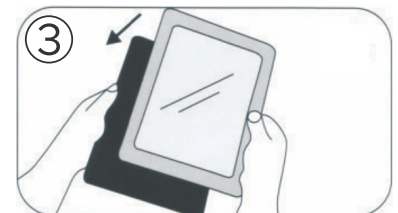
### 1. Inserting Tablet into Enclosure



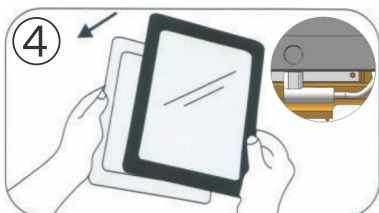
Peel the external silicone sleeve from the internal hard case using component (F).



To open case, apply gentle pressure to the small clips (noted on the diagram by arrows). The internal hard case will open when all four sides are unclipped.



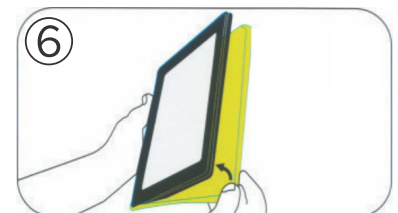
Insert the iPad into the back portion of the hard cover.



Once the tablet device is inside, plug the charging cable into the power socket. Then place the internal front (hard) cover on top of the case, and gently clip all four sides shut.

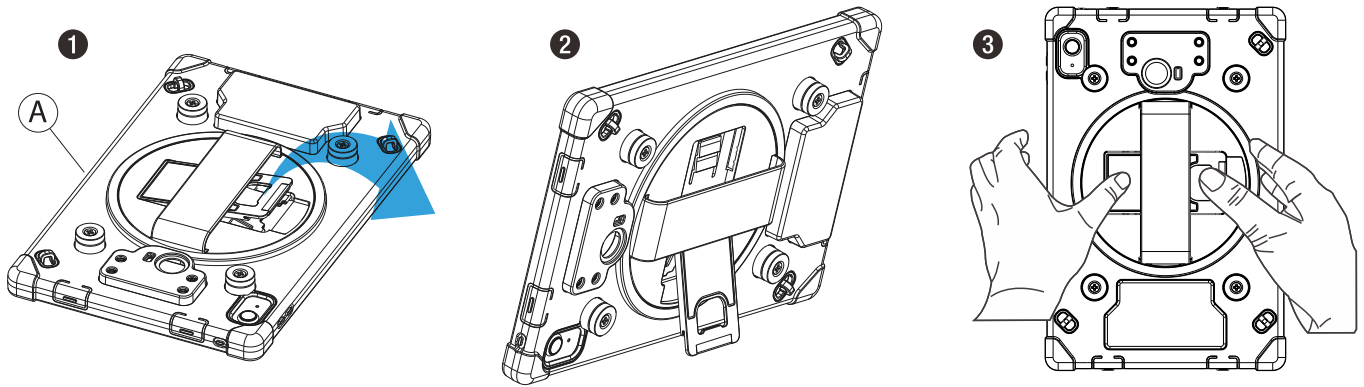


Tighten the anti-theft screw with the included star key (C) if you want the case security.



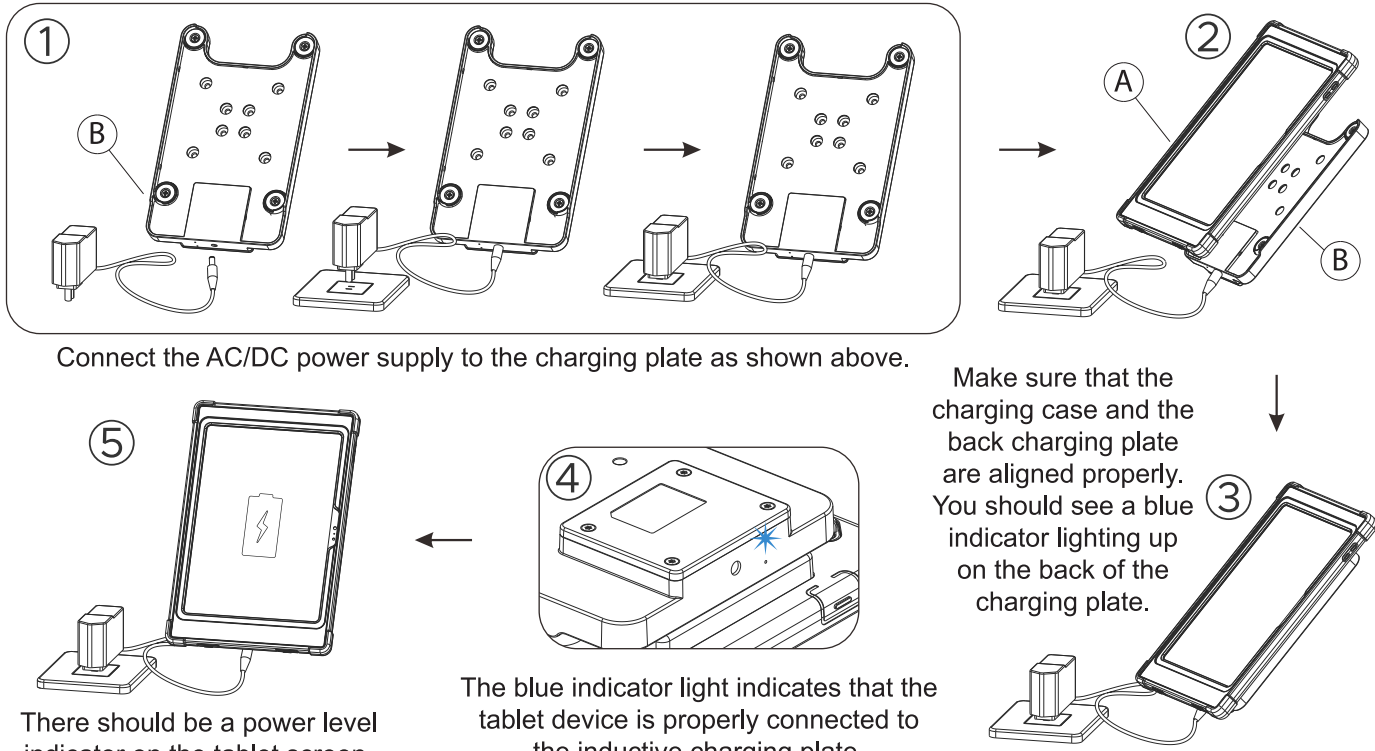
Reinstall the external silicone rubber sleeve.

## 2. Setting the Cover in Tabletop or Handheld Mode

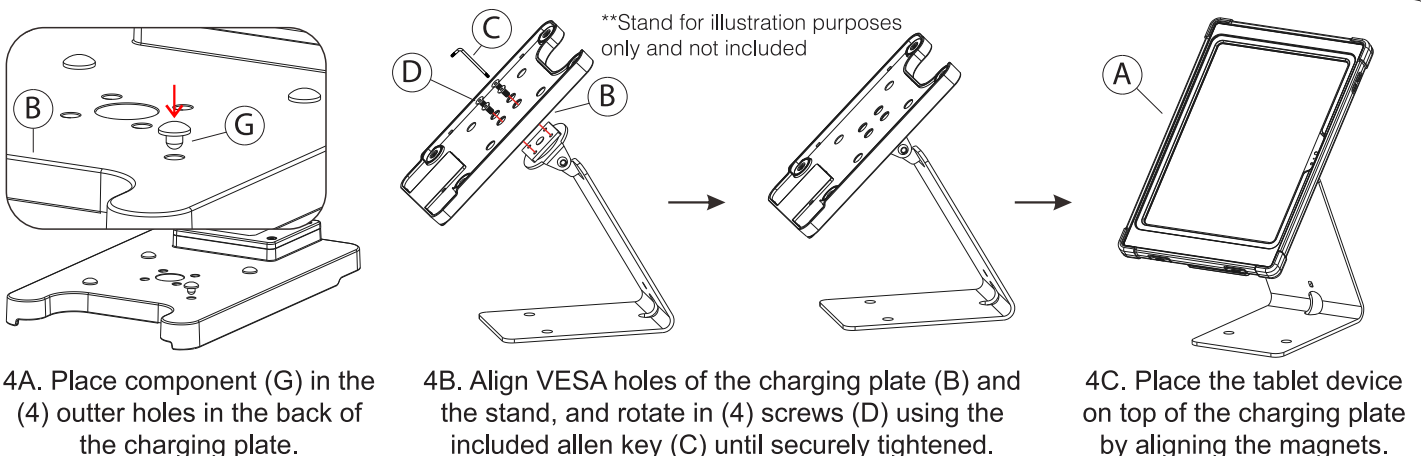


1. Locate kickstand at case (A) rear and fold out underneath strap.
2. Display tablet at desired viewing angle.
3. Press kickstand in to return to handheld mode.

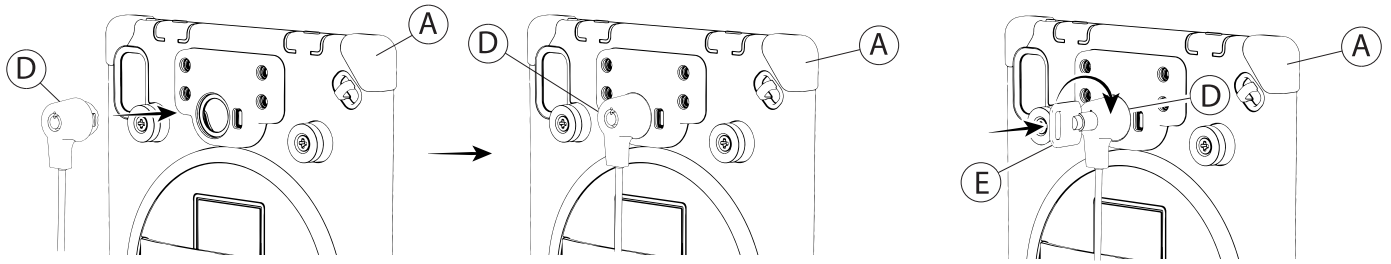
## 3. Charging the Tablet Device



## 4. Using with kiosk stand (ADD-ICCSTAND)



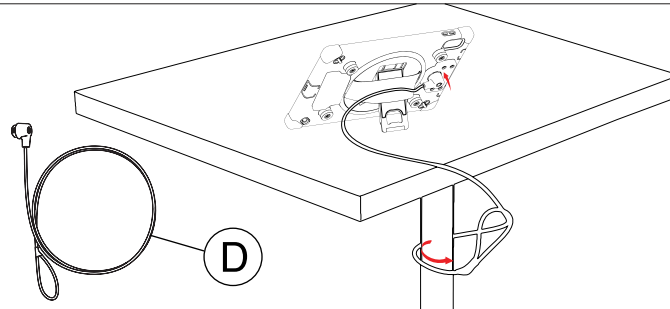
## 5. Key & Lock Security Option



5A. Easily Click-in Cable lock (D) into security hub to secure device.

5B. To release cable-lock insert provided Key (E) into lock cable (D) and turn it clockwise then take out the cable lock.

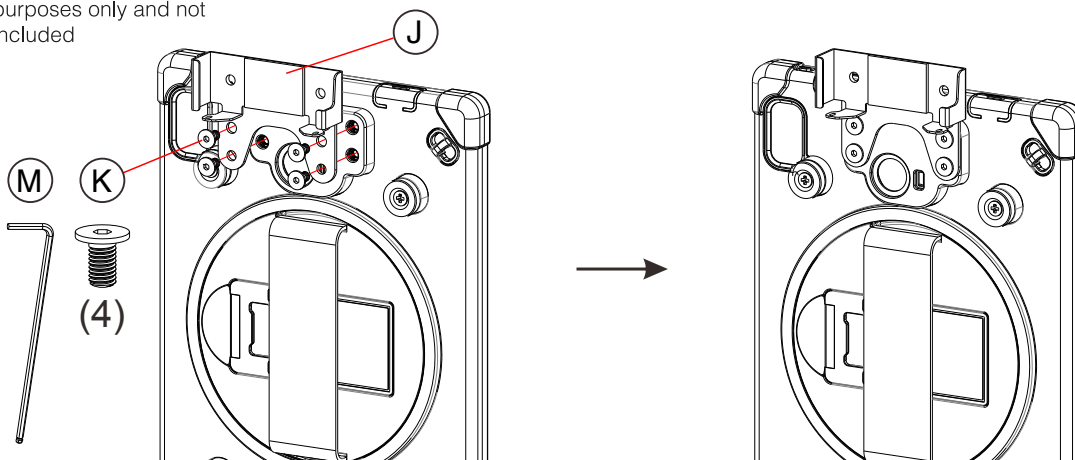
## 6. How to Anchor Into Table



6A. Take the looped end of lock cable (D) and turn it around leg table then click-in head of lock cable into the security hub.

## 7. Attaching Bracket

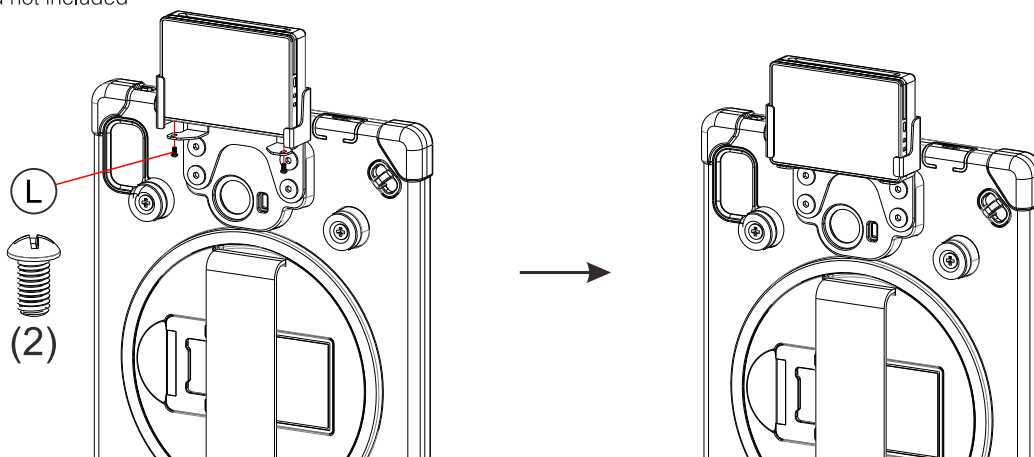
\*\*Case for illustration purposes only and not included



7A. Align bracket (J) with the case (A). Using the provided tool (M) rotate in (4) screws (K) through the aligned holes of the bracket and case until securely fastened.

## 8. Attaching Device

\*\*Case and device for illustration purposes only and not included



8A. Place the card reader device (not included) into the bracket from above as illustrated. Use provided (2) screws (L) and rotate in from below with screwdriver (not provide) until securely fastened.