

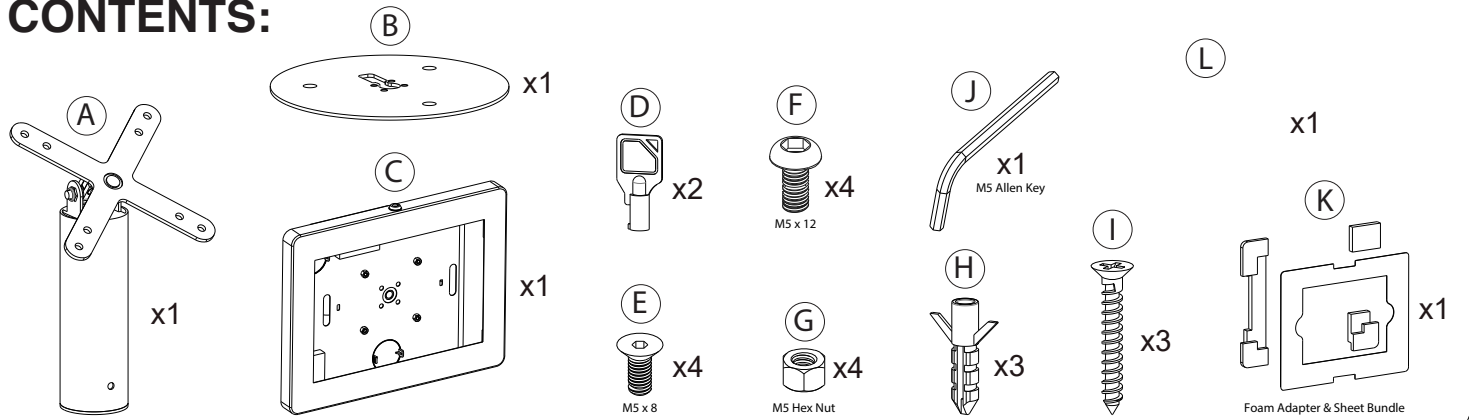


Hyperflex Security Kiosk Stand for Tablets with Large Universal Locking Enclosure

PAD-HSKSBL

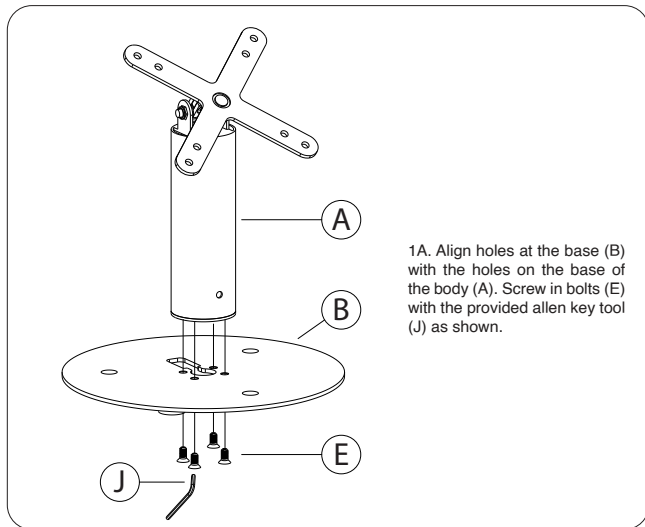
INSTALLATION - MANUAL

CONTENTS:

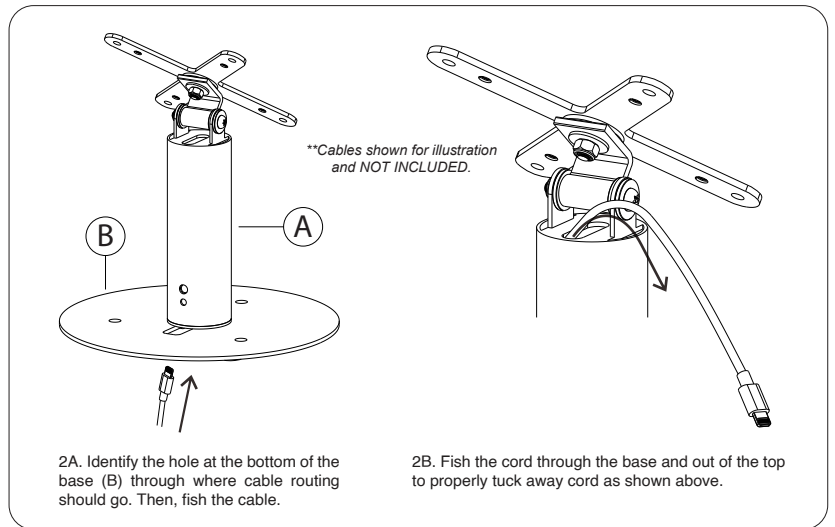


INSTALLATION:

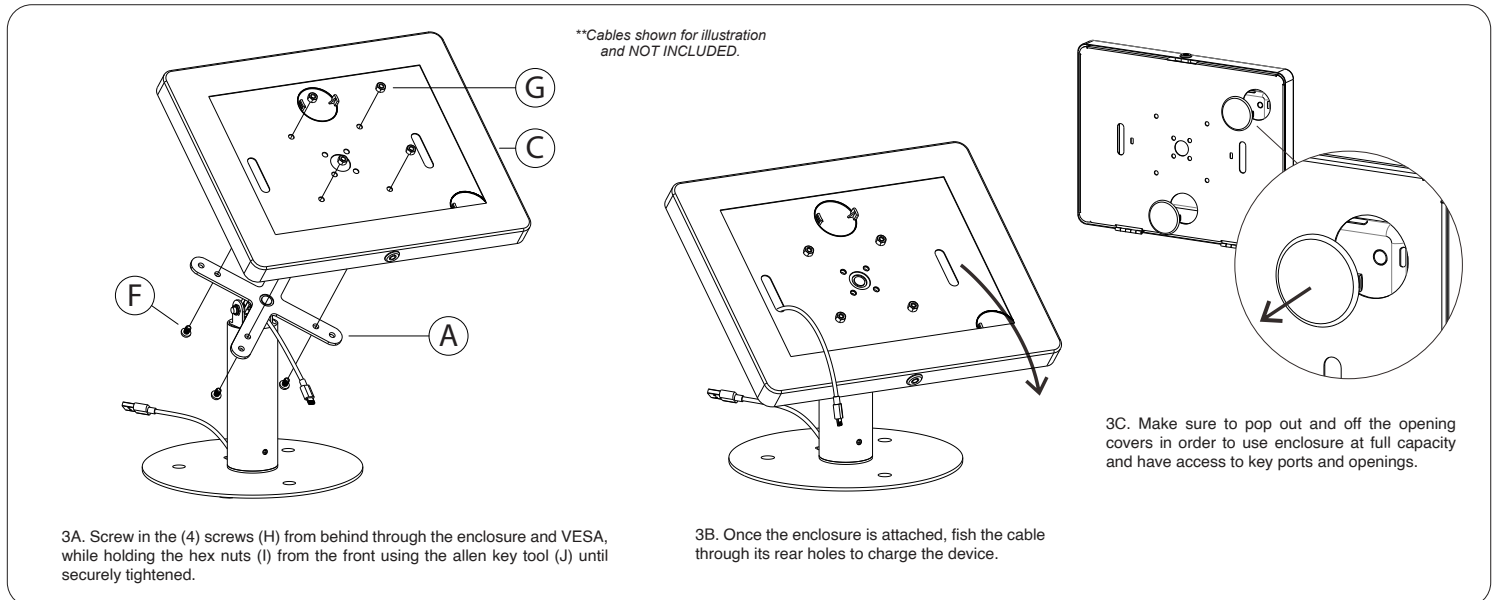
1. Assembling Base



2. Cable Managing

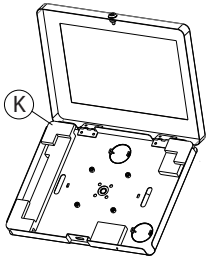


3. Attaching and Setting up Enclosure

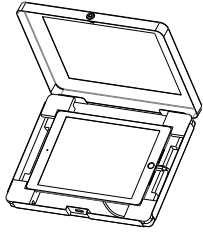


Setting Up Device & Enclosure

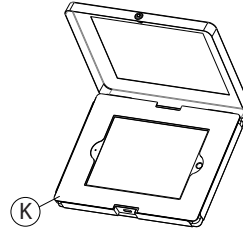
****Tablet shown for illustration and NOT INCLUDED.**



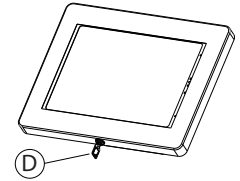
Insert the appropriate foam piece (K) that is compatible with your tablet.



Insert tablet as shown. Plug in power cable to tablet and cable route through the back.

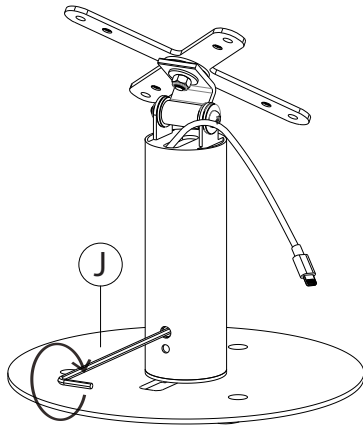


Place the appropriate provided tablet cover (K) to match your tablet.



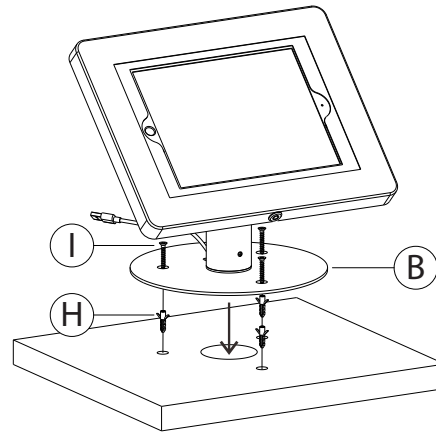
Close the enclosure and lock it with the included set of keys (D).

Optional Locking Base Rotation



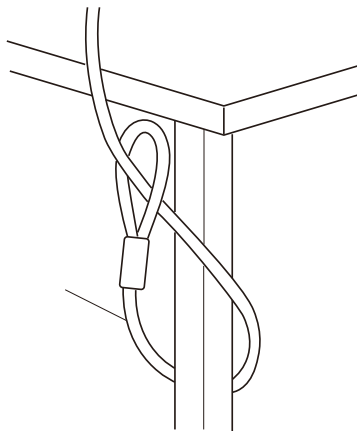
Turn clockwise to prevent body rotation using the provided allen key tool (J).

Optional Mounting into Surface



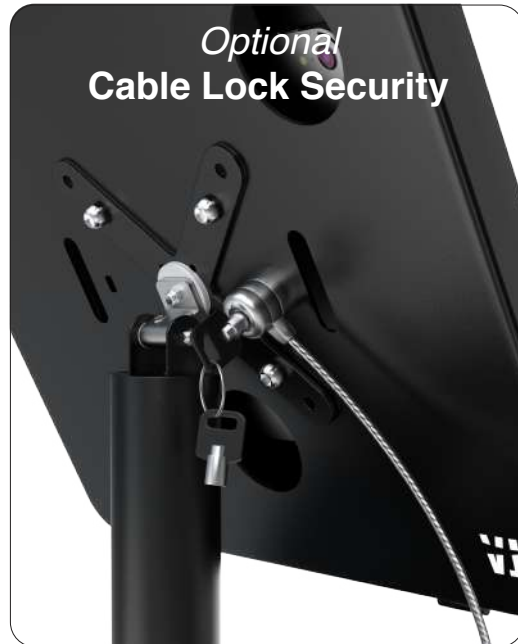
Insert the anchors (H) and then drill in the nails (I) to the mounting surface as shown above.

Optional Cable Lock Security



Loop one end of cable lock (L) around an immobile object like the leg of a table for example as illustrated

Optional Cable Lock Security



Insert cable lock (L) into the back of the enclosure on other end. Turn cable lock key and remove to lock.